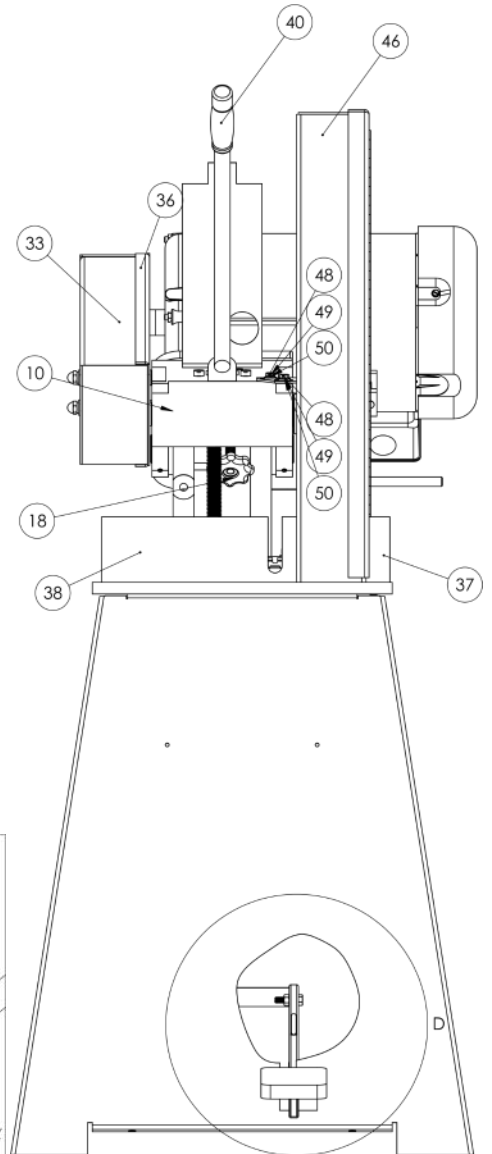
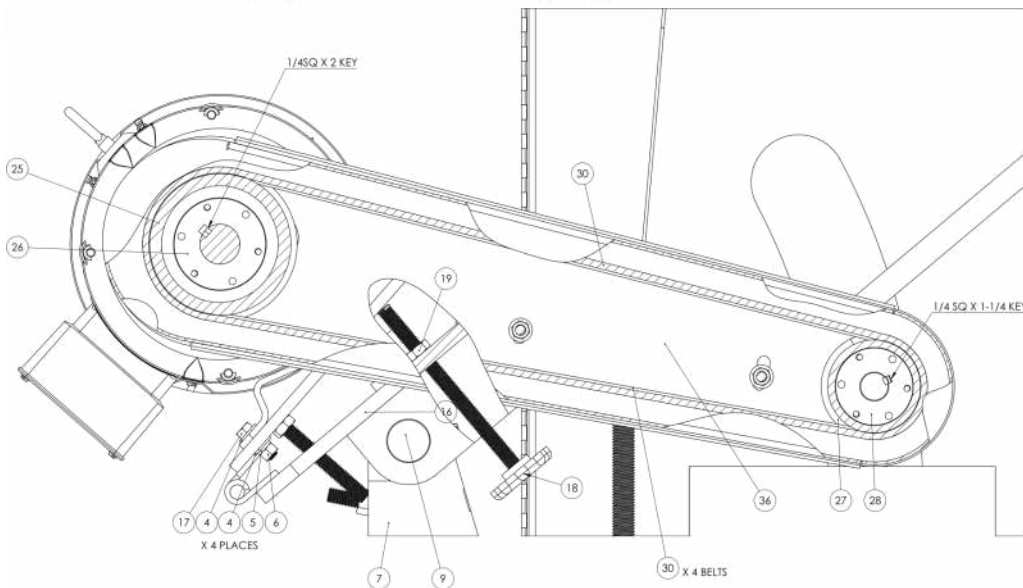
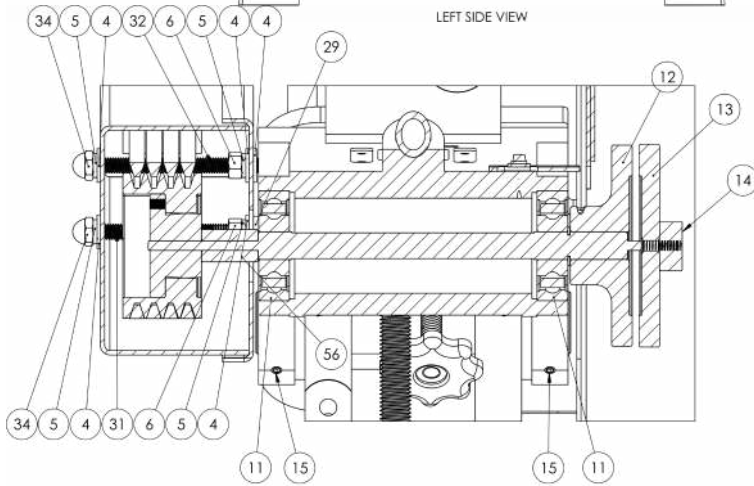
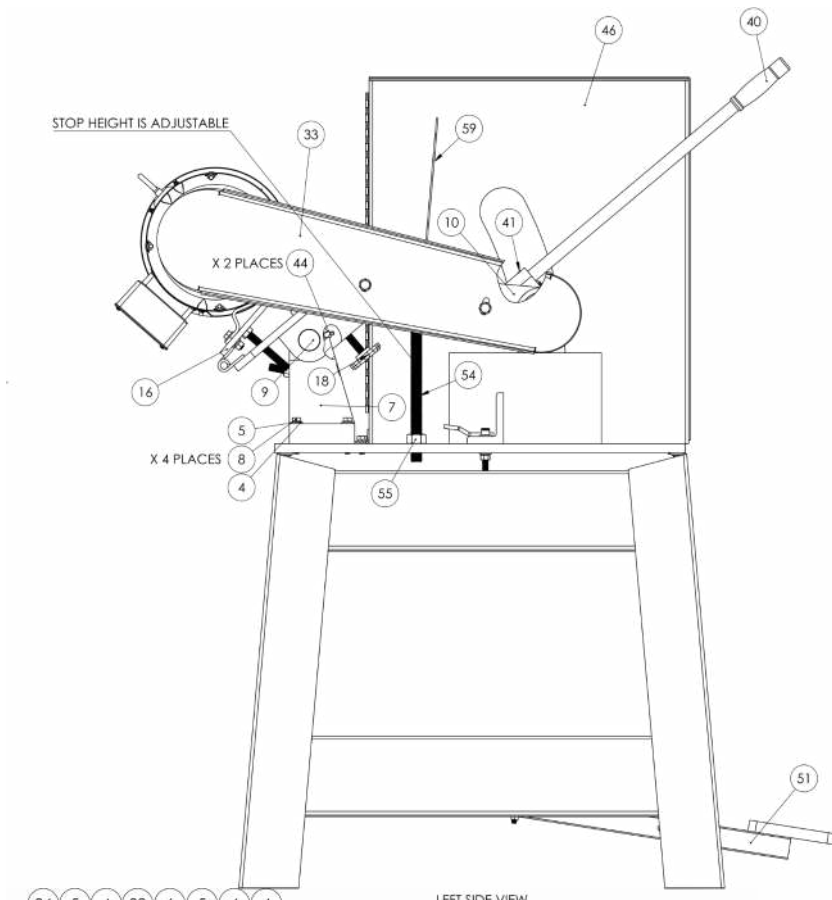


K16-18 ABRASIVE CHOP SAW REPLACEMENT PARTS LIST



FRONT VIEW

ITEM NO.	PART NUMBER	DESCRIPTION	QTY.
1	716-023	STAND ASSEMBLY FOR K16-18	1
2	050-018A	BASE, PLATE K16-18 (NEW STYLE AFTER 08/20/2014)	1
3	FSCA037020	3/8-16 X 1-1/4 FSHCS	4
4	UFWZ037	3/8 USS F/W Z	36
5	SLWZ037	3/8 SPLIT L/W Z	30
6	FHN5037	3/8-16 FHN GR5 Z	14
7	831-021	TRUNNION FOR KM16-18, K16-18, K20SSF (NEW STYLE)	1
8	HHC5037036	3/8-16 X 2-1/4 HHCS GR 5 Z	4
9	700-003	NEW STYLE TRUNNION PIN FOR K16-18, KM STYLE TRUNNION, K20SSF	1
10	002-005	SAW ARM FOR K16-18, KM16-18, AND K20SSF SAW	1
11	044-004	K20 SPINDLE BEARING	2
12	701-010	SPINDLE W TIGHT FLANGE FOR K16-18, K20SSF, K20E SAWS	1
13	292-011	LOOSE FLANGE FOR K16-20, KM16-18, KM20-22	1
14	537-027	SPINDLE NUT FOR K16-20	1
15	SSKA031006	5/16-18 X 3/8 SOC SET KNURL PT.	2
16	486-010	MOTOR MOUNT PLATE FOR K16-20 ASSEMBLY	1
17	HHC5037020	3/8-16 X 1-1/4 HHCS GR5 Z	8
18	696-029	MOTOR PLATE TENSION SCREW FOR K16-K20 SAWS	1
19	FJNZ050	1/2-13 F H JAM NUT Z	1
20	CRBZ031040	5/16-18 X 2-1/2 CARRIAGE BOLT Z	1
21	UFWZ031	5/16 USS F/W Z	1
22	SLWZ031	5/16 SPLIT L/W Z	1
23	FHN5031	5/16-18 FHN GR5 ZINC	2
24	486-019	10 HP SD, 3PH, 1725RPM, 60HTZ, 213T, 208/230/460 FOR K16-18, KM16-18, BG14	1
25	560-046	MOTOR PULLEY FOR K16-18, KM16-18, K20SSF-15, KM20-22/15, KM20-22	1
26	049-003	BUSHING FOR MOTOR PULLEY FOR K16-18, KM16-18, K20SSF, K20RS	1
27	560-047	SPINDLE PULLEY FOR K16-18, KM16-18, K20RS, KM20-22, K20SSF	1
28	049-004	BUSHING FOR SPINDLE PULLEY FOR K16-18, K20SSF-15HP, K20RS-15, KM16-18	1
29	00202300X0.875	7/8 LONG OF 3/4 ROUND CR1018	1
30	051-005	V-BELT FOR K16-18, K20SSF, K20E, K20RS, K20SW	4
31	19100900X6.25	6-1/4 INCHES OF 3/8-16 THREADED ROD	1
32	19100900X5.375	5-3/8 INCHES OF 3/8-16 THREADED ROD	1
33	342-039	OUTER GUARD, BELT FOR K16-18 AND K20SSF SAWS	1
34	CPNZ037	3/8-16 CAP NUT NICKEL	2
35	SHCA037020	3/8-16 X 1-1/4 SHCS	2
36	342-039A	GUARD, INNER BELT FOR K16-18, KM16-18, K20SSF SAWS	1
37	293-003	FENCE, RIGHT FOR K16-18, K20SSF	1
38	293-002	FENCE, LEFT FOR K16-18, K20SSF	1
39	SHCA037040	3/8-16 X 2-1/2 SHCS	2
40	381-009	HANDLE WITH GRIP FOR K16-20 ABRASIVE SAW	1
41	SSKA025006	1/4-20 X 3/8 SOC SET KNURL PT.	1
42	697-021	SPRING FOR HOOK CHAIN ASSY FOR K16-18 AND K20SSF CHAIN VISE	1
43	697-022	SPRING, FOOT PEDAL FOR K16-18 AND K20SSF SAWS	1
44	ZERK012000	1/8-27 X 11/16 STRT LUBE FITTING	2
45	342-030	INNER WHEEL GUARD FOR K16-18, K20SSF SAWS	1
46	342-014	WHEEL GUARD FOR K16-18 SAW	1
47	HHC5037016	3/8-16 X 1 HHCS GR5 Z	4
48	HHC5025008	1/4-20 X 1/2 HHCS GR5 Z	4
49	SLWZ025	1/4 SPLIT L/W Z	4
50	UFWZ025	1/4 USS F/W Z	2
51	041-007	FOOT PEDAL/ CHAIN ASSEMBLY KOR K16-18 AND K20SSF	1
52	HHC5031020	5/16-18 X 1-1/4 HHCS GR 5 Z	1
53	TEBZ031032	5/16X2 TURNED EYE BOLT Z	1
54	709-003	STOP, DOWN FOR K16-18 AND K20SSF SAWS	1
55	FHN5075	3/4-10 FHN GR5 Z	1
56	049-116	SPACER BUSHING FOR K20 SERIES SPINDLE	1
57	19101300X2	2 INCHES OF 1/2-13 THREADED ROD	1
58	FHN5050	1/2-13 FHN GR5 Z	1
59	041-103	K20SSF PHV DOWN STOP SWITCH BRACKET	1