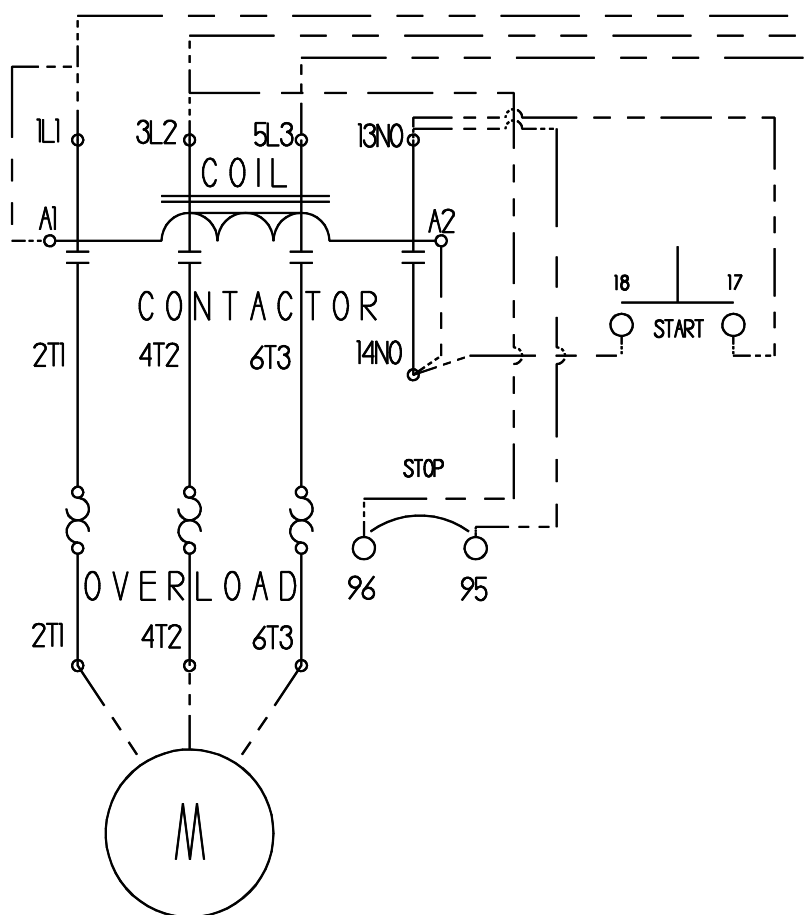
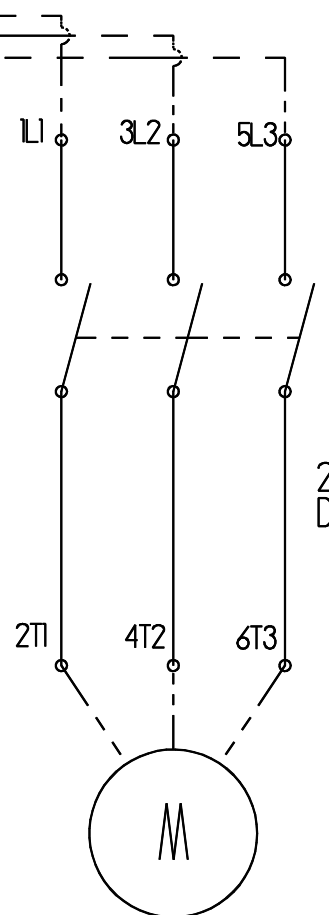


INCOMING LINE VOLTAGE
CONNECTS TO 1L1, 3L2, AND 5L3



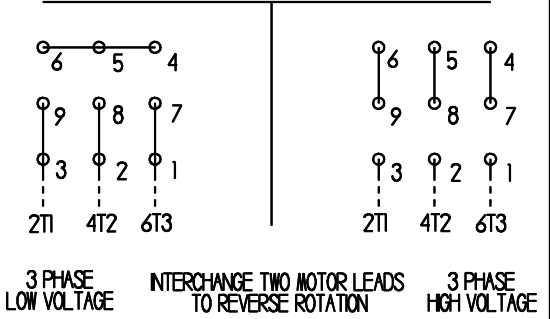
THREE PHASE MOTOR
DRIVE



THREE PHASE MOTOR
VAC

25A ROTARY
DISCONNECT

MOTOR LEAD CONNECTION



KALAMAZOO INDUSTRIES INC.

DRAWN BY	DATE	DESCRIPTION
ASHLEY	9/19/12	3 PH SCHEMATIC
REVISED BY	DATE	PART #
MATERIAL		

Y
X