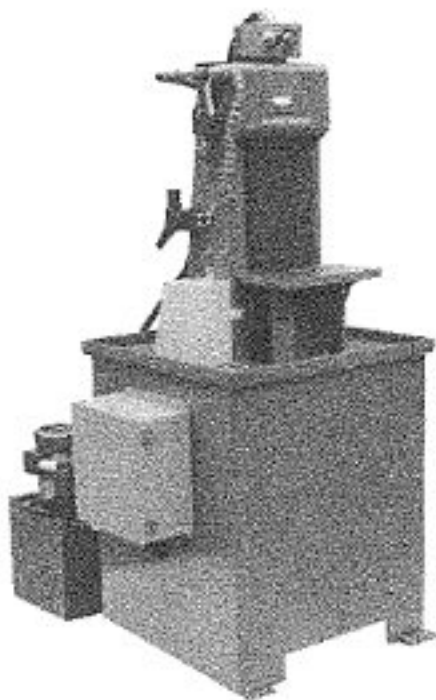


**INSTRUCTION
MANUAL
MODEL NO.
S8D, S8W**



**KALAMAZOO
INDUSTRIES, INC.**

6856 East K Avenue

Kalamazoo, MI 49048

269-382-2050 PH

269-382-0790 FAX

www.kalamazooindustries.com

WARRANTY

All products are guaranteed for a period of one year to the original purchaser, against defects in material workmanship under normal use. Electric motors are warranted by the motor manufacturer and will be repaired by the nearest motor repair station. If non-repairable, they will be replaced by Kalamazoo Industries. Please call for instructions 269-382-2050.

RETURN POLICY

Authorization must be obtained before returning merchandise. Please call our customer service department for a return authorization number at 269-382-2050. Please include with your return a copy of your invoice or packing slip. Materials must be sent back prepaid. (Unless otherwise indicated). All returns will be subject to a 10% restocking charge. No returns will be accepted after one year of invoice date.

BELT SANDER SAFETY

- READ THE OPERATING INSTRUCTIONS BEFORE RUNNING MACHINE.
- ALWAYS WEAR SAFETY GLASSES OR A FULL FACE SHIELD FOR PROTECTION.
- KEEPS HANDS CLEAR OF THE SANDING AREA.
- NEVER WEAR GLOVES OR LOOSE FITTING CLOTHES WHEN OPERATING THIS MACHINE.
- ALWAYS KEEP HAIR TIED BACK OR COVERED.
- LET MACHINE ROTATION COME TO A FULL STOP BEFORE CHANGING BELT.
- KEEP SAFETY GUARDS IN PLACE. DO NOT ALTER GUARDS OR MACHINE IN ANY WAY. ANY ALTERATIONS TO GUARDS OR MACHINE COULD CAUSE SERIOUS INJURY.
- ALL BELT SANDERS SHOULD BE OPERATED IN A WELL-VENTILATED AREA. THE DUST CREATED WHEN SOME MATERIALS ARE SANDED CAN BE HARMFUL. DUST MASKS ARE RECOMMENDED AS A PRACTICAL MEANS OF MINIMIZING DUST INHALATION. FUMES FROM OTHER SOURCES CAN ALSO CAUSE FIRES WHEN IN CONTACT WITH SANDING SPARKS.
- SPARKS CREATED BY SANDING SHOULD BE DIRECTED DOWNWARD AND AWAY FROM THE FACE AND BODY. DO NOT GRIND NEAR FLAMMABLE MATERIAL.
- ELECTRIC SANDING MACHINES ARE NOT INTENDED FOR USE IN OR NEAR WATER. THIS INCLUDES AN OPERATOR STANDING ON A WET FLOOR OR WORKING AROUND CONTAINERS OF WATER OR OTHER CONDUCTIVE LIQUIDS.

KALAMAZOO INDUSTRIES, INC.
6856 East K Avenue
Kalamazoo, MI 49048
269-382-2050 PH
269-382-0790 FAX
www.kalamazooindustries.com



Made in USA

OPERATING INSTRUCTIONS FOR S8D/S8HD/S5W/S8HW

CHECK FOR CORRECT WIRING OF PHASE AND VOLTAGE BEFORE RUNNING THE MACHINE.

Caution: Voltage changes from factory settings require wiring changes in all motor junction boxes. Transformer jumpers relocated to correct voltage and overload heater coils changed to the correct voltage and value. If unfamiliar with electric phase consult an electrician. Electrical failures due to incorrect voltage changes are not covered under warranty.

BELT TENSIONING: Connect shop air to regulator. Use 40psi gauge pressure for sanding belt tension. **DO NOT** use over 50psi air pressure, over pressure will cause sanding belt to stretch. Use air valve to tension and release tension of sanding belt. Release air pressure after daily use to minimize sanding belt stretching.

BELT TRACKING: After tensioning the belt you need to use the JOG switch and tracking knob to track the belt. Several pushes of the JOG switch may be required to centerize the belt. While JOG switch is pushed in use the tracking knob to increase and decrease pulley angle. **Clockwise** turning of knob tilts pulley upward and sanding belt away from machine frame. **Counter-clockwise** tilts pulley down and sanding belt toward machine frame. After belt has been tracked via JOG mode and tracking knob, the switch may then be turned to the run position. **KEEP HANDS CLEAR OF THE BELT WHEN TURNING MACHINE ON.**

BELT CHANGING: Turn the machine OFF. Release air pressure with control valve. Upper pulley will retract to release belt tension. Open guard door and remove sanding belt. Replace with new belt. Check inside new belt, some belts will have retention arrows inside. Close door securely. Move belt tension control valve to tension the new belt. Use JOG switch to be sure of tracking before using start button to run.

WORK TABLE: 8"x12" cast iron worktable should be kept within 1/16" of sanding belt. (Only model S8D & S5W come with work table)



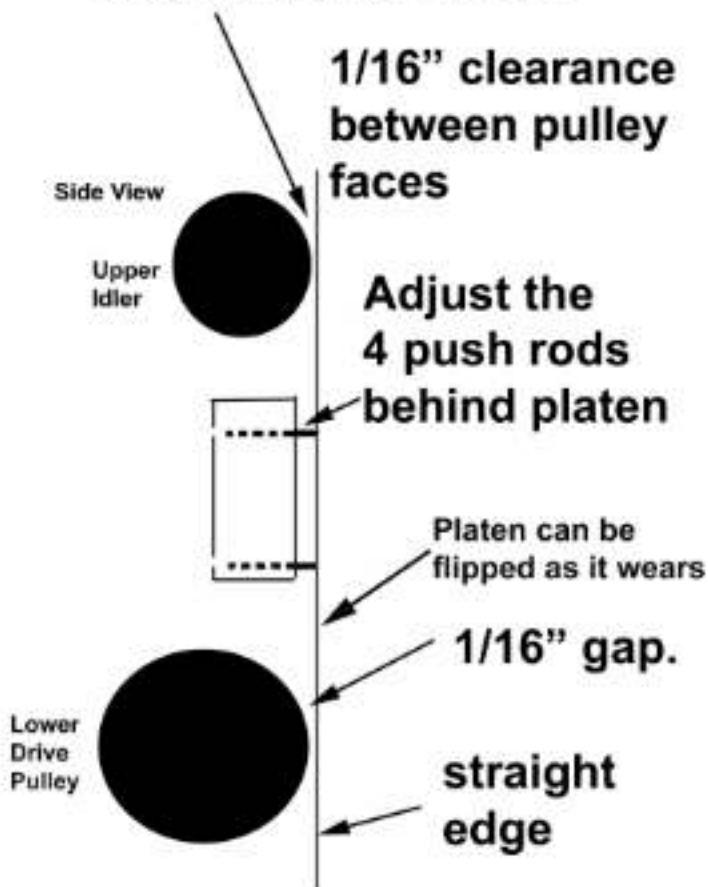
**KALAMAZOO
INDUSTRIES, INC.**

2228 East W. Avenue
Kalamazoo, MI 49008
260.330.2800 PH
260.330.0700 FAX

www.kalamazooindustrial.com

S8 Series Belt sander

S8 platen adjustment



**S8 Drive pulley
removal.**

**Loosen 2
set screws
and tap out
spindle.**

**Pulley will come
with the
shaft.**



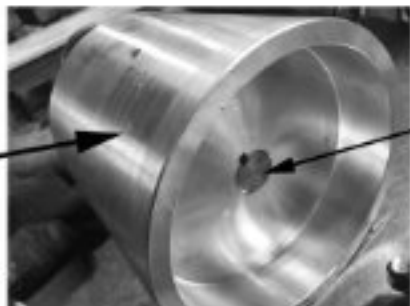
**Use an arbor
press to press out
the shaft.**

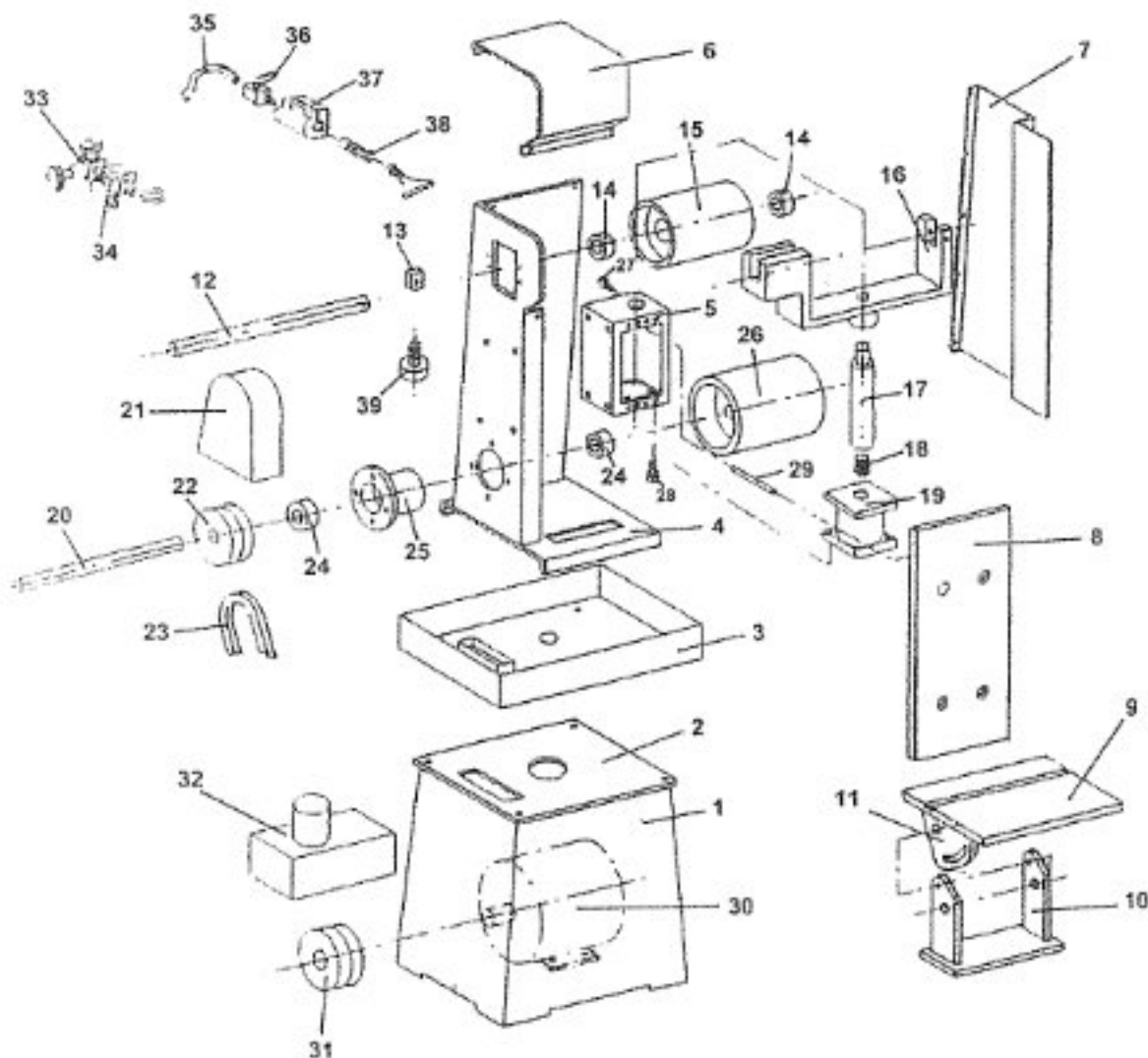
**Install inner
bearing approx
3" on shaft, lock
2 set screws.**



**Be sure spindle
is flush with pulley
ID face.**

**Lower drive has
higher crowned
center for tracking.
If worn off the belt
will not stay centered.**





ITEM	PART NO.	DESCRIPTION
1	716-003	STAND
2	556-024	BASE PLATE
3	576-002	PAN (WET MODEL ONLY)
4	291-008	MAIN FRAME
5	291-009	FRAME PLATEN SUPPORT
6	342-033	GUARD, TOP
7	147-002	GUARD, DOOR
8	563-004	PLATEN
9	829-015	WORK TABLE
10	711-009	TABLE SUPPORT
11	831-017	TABLE TRUNNION (2REQ)
12	701-023	IDLER SPINDLE
13	063-009	BLOCK (2REQ)
14	044-011	K12 BEARING
15	560-024	IDLER PULLEY-DRY SANDER
	560-024W	IDLER PULLEY-WET SANDER
16	960-007	IDLER YOKE
17	575-012	YOKE POST
18	709-010	3/8-24 STUD
19	131-010	TENSION CYLINDER
20	701-022	DRIVE SPINDLE

21	342-036	V-BELT GUARD COVER
22		2-3V4.5 SPINDLE PULLEY
		SDS 1-3/8 BUSHING
23	061-011	3V560 V-BELT
24	ER20C	BEARINGS (2REQ)
25	386-016	BEARING HOUSING
26	560-023	DRIVE PULLEY-DRY SANDER
	560-023W	DRIVE PULLEY-WET SANDER
27		5/16-18x2 H.H.S. (4REQ)
28		5/16-20x2 H.H.C.S. (4REQ)
29	646-022	PUSH ROD
30	486-032	7-1/2HP, 3PH MOTOR
31		2-3V4.5 MOTOR PULLEY
		SHx1-1/4 BUSHING
32	KCPT-2	PUMP AND TANK (WET MODEL ONLY)
33	912-006	AIR GAGE AND REGULATOR
34	912-014	4-WAY VALVE
35		SUPPLY HOSE
36		VALVE FOR COOLANT
37	041-030	BRACKET CLAMP
38		FLEXIBLE COOLANT HOSE W/NOZZLE
39	441-016	TRACKING KNOB

KI KALAMAZOO INDUSTRIES, INC.

KALAMAZOO INDUSTRIES, INC. 6856 East K Ave. Kalamazoo, MI 49048
 269-382-2050 PH 269-382-0790 FAX www.kalamazooindustries.com