

**KI** **KALAMAZOO**  
INDUSTRIES, INC.  
KALAMAZOO, MI



PH: (269) 382-2050

[www.kalamazooind.com](http://www.kalamazooind.com)

**S8 8" X 60"**  
**BELT SANDER HEAD**  
**MANUAL**



MADE IN USA

# **KI** **KALAMAZOO** INDUSTRIES, INC. KALAMAZOO, MI



PH: (269) 382-2050

[www.kalamazooind.com](http://www.kalamazooind.com)

## **WARRANTY**

All products are guaranteed for a period of one year from receipt of order to the original purchaser, against defects in material workmanship under normal use. Electric motors are warranted by the motor manufacturer for a period of one year and will be repaired by the nearest motor repair station. If non-repairable, they will be replaced by Kalamazoo Industries. Please call for instructions (269) 382-2050.

## **RETURN POLICY**

Authorization must be obtained before returning merchandise. Please call our customer service department for a return authorization number (269) 382-2050. Please include with your return a copy of your invoice or packing slip. All material must be new and unused in the original packaging. Material must be sent back prepaid (unless otherwise indicated) by Kalamazoo Industries. Credit upon inspection at Kalamazoo Industries. All returns will be subject to a 10% restock charge. Used merchandise is non-returnable. No returns will be accepted after one year of invoice date.

## **BELT SANDER SAFETY**

- READ THE OPERATING INSTRUCTIONS BEFORE RUNNING MACHINE.
- ALWAYS WEAR SAFETY GLASSES OR A FULL FACE SHIELD FOR PROTECTION.
- KEEP HANDS CLEAR OF THE SANDING AREA.
- WEAR GLOVES OR LOOSE FITTING CLOTHES WHEN OPERATING THIS MACHINE.
- ALWAYS KEEP HAIR TIED BACK OR COVERED.
- LET MACHINE ROTATION COME TO A FULL STOP BEFORE CHANGING BELT.
- KEEP SAFETY GUARDS IN PLACE. DO NOT ALTER GUARD OR MACHINE IN ANYWAY. ANY ALTERATIONS TO GUARDS OR MACHINE COULD CAUSE SERIOUS INJURY.
- ALL BELT SANDERS SHOULD BE OPERATED IN A WELL-VENTILATED AREA. THE DUST CREATED WHEN SOME MATERIALS ARE SANDED CAN BE HARMFUL. DUST MASKS ARE RECOMMEND AS A PRACTICAL MEAN OF MINIMIZING DUST INHALATION. FUMES FROM OTHER OTHER SOURCES CAN ALSO CAUSES FIRES WHEN INTACT WITH SANDING SPARK.
- SPARKS CREATED BY SANDING SHOULD BE DIRECTED DOWNWARD AND AWAY FROM THE FACE AND BODY. DON NOT GRIND NEAR FLAMMABLE MATERIAL.
- ELECTRIC SANDING MACHINES ARE NOT INTENDED FOR USE IN OR NEAR WATER. THIS INCLUDES AN OPERATOR STANDING ON A WET FLOOR OR WORKING AROUND CONTAINERS OF WATER OR OTHER CONDUCTIVE LIQUIDS.

# **KI** **KALAMAZOO** INDUSTRIES, INC. KALAMAZOO, MI



PH: (269) 382-2050

[www.kalamazooind.com](http://www.kalamazooind.com)

## **WARNING!**

TO REDUCE THE RISK OF FIRE OR SHOCK HAZARD,  
DO NOT EXPOSE THIS EQUIPMENT TO RAIN, ANY LIQUID OR MOISTURE.

## **INSPECTION**

If these goods are damaged in transit, the **DELIVERING TRANSPORTATION COMPANY** is required by law to make notation of damages on the freight bill. If in your opinion, there may be concealed damage, they are required to make an inspection after goods are unpacked. Transportation rates are made in proportion to damage. Therefore, the carrier and **NOT** the shipper should be charged with any loss or damage. Any claim should be filled with the delivering **TRANSPORTATION COMPANY. PLEASE DO NOT RETURN GOODS TO US WITHOUT OUR RGA NUMBER AND SHIPPING INSTRUCTIONS.**

**NOTE: SEE NEXT PAGE FOR RETURN POLICY AND WARRANTY.**

## **IMPORTANT**

Read Operating Instructions before using equipment.

## **TROUBLE SHOOTING AND TRACKING PROBLEMS**

- Drive pulley lost its crown (curvature of pulley)
- Sanding belt are not spliced square.
- Upper pulley assembly not square to platen. (Use carriage bolts to square yoke with platen.)

## **OPERATING INSTRUCTIONS**

1. CHECK FOR CORRECT OF PHASE AND VOLTAGE BEFORE RUNNING THE MACHIN. **CAUTION: VOLTAGE CHANGES FROM FACTORY SETTING REQUIRE WIRING CHANGES IN ALL MOTOR JUNCTION BOXES AND CORRECT CONTACTOR AND OVERLOAD. IF UNFAMILIAR WITH ELECTRICAL WIRING PLEASE CONSULT AN ELECTRICIAN. ELECTRICAL FAILUTRES DUE TO INCORRECT VOLTAGE CHANGES ARE NOT COVERED UNDER WARRANTY.**
2. BELT TENSION: CONNECT SHOP AIR TO REQUULATOR. USE 40PSI GAUGE PRESSURE FOR SANDING BELT TENNISON. **DO NOT USE OVER 50PSI AIR PRESSURE**, OVER PRESSURE WILL CAUSE SANDING BELT TO STRECH. USE AIR VALVE TO TENSION AND RELEASE TENSION OF SANDING BELT.
3. BELT TRACKING: AFTER TENSIONING THE BELT YOU NEED TO USE THE **JOG** SWITCH AND TRAKING KNOB TO TRACK THE BELT. SEVERAL PUSHES OF THE **JOG** SWITCH MAY BE REQUIRED TO CENTRALIZED THE BELT. WHILE **JOG** SWITCH IS PUSHED IN USING THE TRACKING KNOB TO INCREASE AND DECREASE PULLEY ANGLE. CLOCKWISE TURNING OF KNOB TILTS PULLEY UPWARD AND SANDING BELT AWAY FROM MACHINE FRAME. COUNTER-CLOCKWISE TILTS PULLEY DOWN AND SANDING BELT TOWARD MACHINE FRAME. AFTER BELT HAS BEEN TRACKED VIA **JOG** MODE AND TRACKING KNOB, THE SWITCH MAY THEN BE TURNED TO THE POSITION. **KEEP HANDS CLEAR OF THE BELT WHEN TURNING THE MACHINE ON.**
4. BELT CHANING: TURN THE MACHINE **OFF**, RELEASE AIR PRESSURE WITH CONTROL VALVE. UPPER PULLEY WILL RETRACT TO RELEASE BELT TENSION. OPEN GUARD DOOR AND REMOVE SANDING BELT. REPLEASE WITH NEW BELT. CHECK INSIDE NEW BELT, SOME BELTS WILL HAE ROTATION ARROWS INSIDE. CLOSE DOOR SEURELY. MOVE BELT TENSION CONTROL VALVE TO TENSION THE NEW BELT. USE **JOG** SWITCH TO BE SURE OF TRACKING BEFORE USING START BUTTING TO RUN.
5. WORK TABLE: 8" X 12" CAST IRON WORKTABLE SHOULD BE KEPT WITHIN 1/16" OF SANDING BELT. **(ONLY MODEL S8D & S8W COME WITH WORK TABLE).**

**KI** **KALAMAZOO**  
INDUSTRIES, INC.  
KALAMAZOO, MI



PH: (269) 382-2050

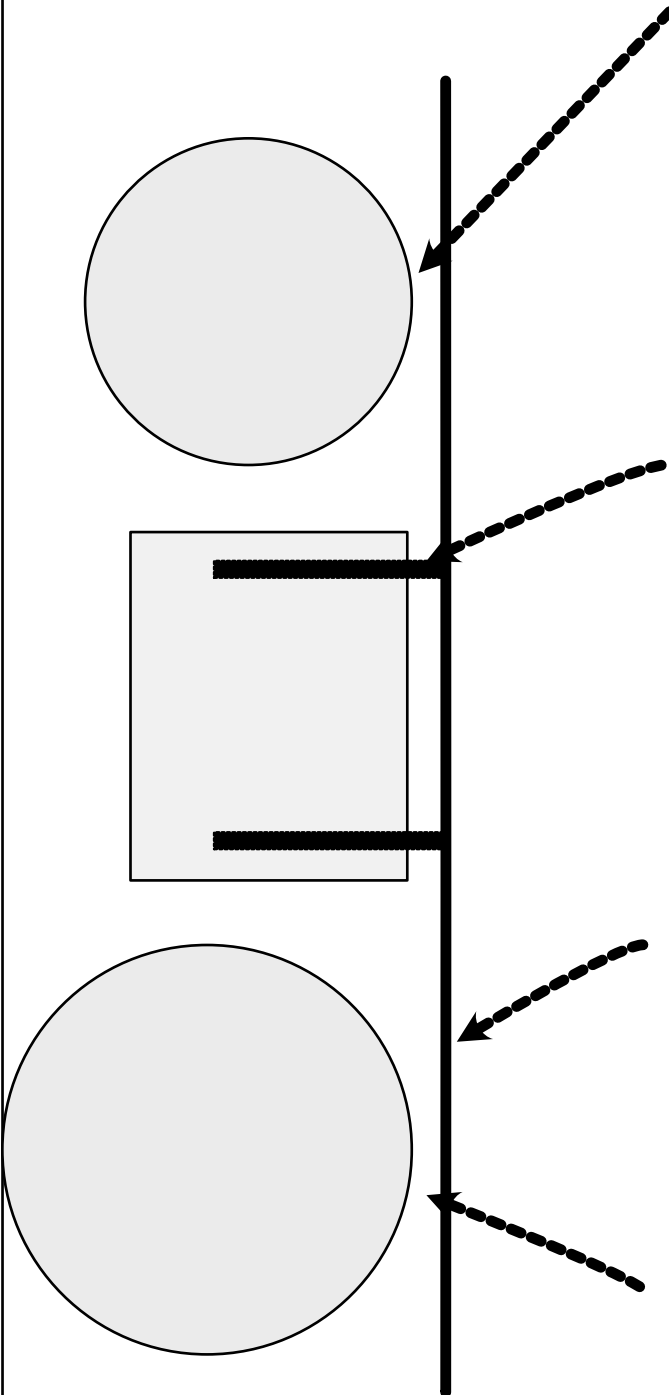
[www.kalamazooind.com](http://www.kalamazooind.com)

1/16" CLEARANCE  
BETWEEN PULLEY  
FACES

ADJUST THE  
4 PUSH RODS  
BEHIND PLATEN

STRAIGHT  
EDGE

1/16" GAP



**S8 PLATEN  
ADJUSTMENT**

**S8 Drive pulley removal.**

**Loosen 2 set screws and tap out spindle.**

**Pulley will come with the shaft.**

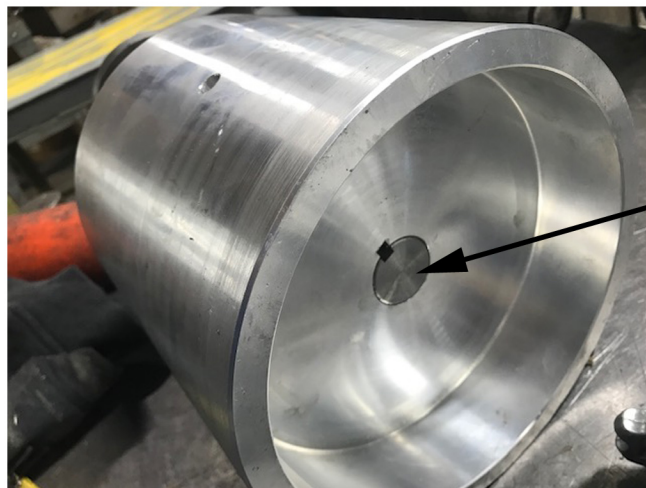


**Use an arbor press to press out the shaft.**

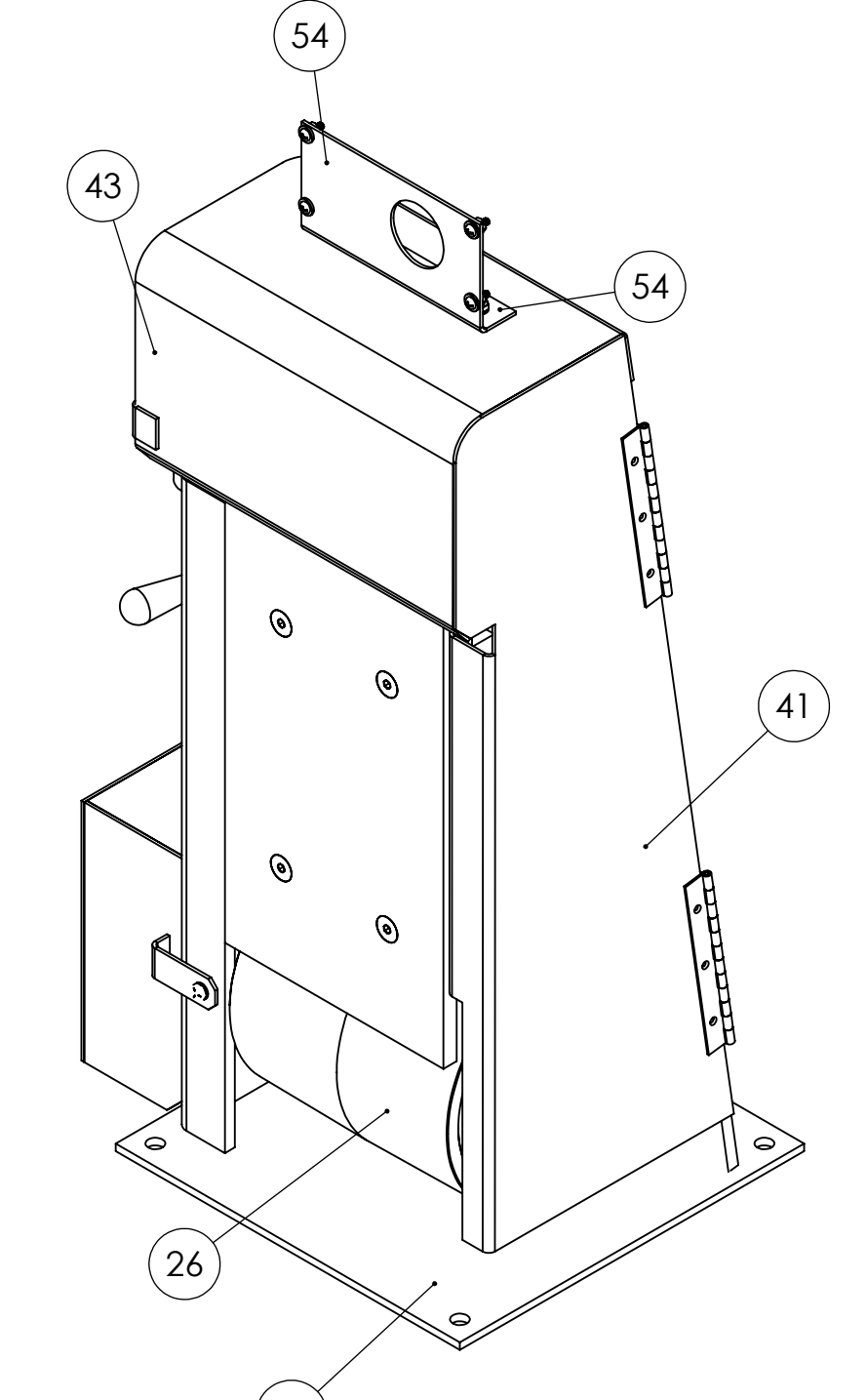
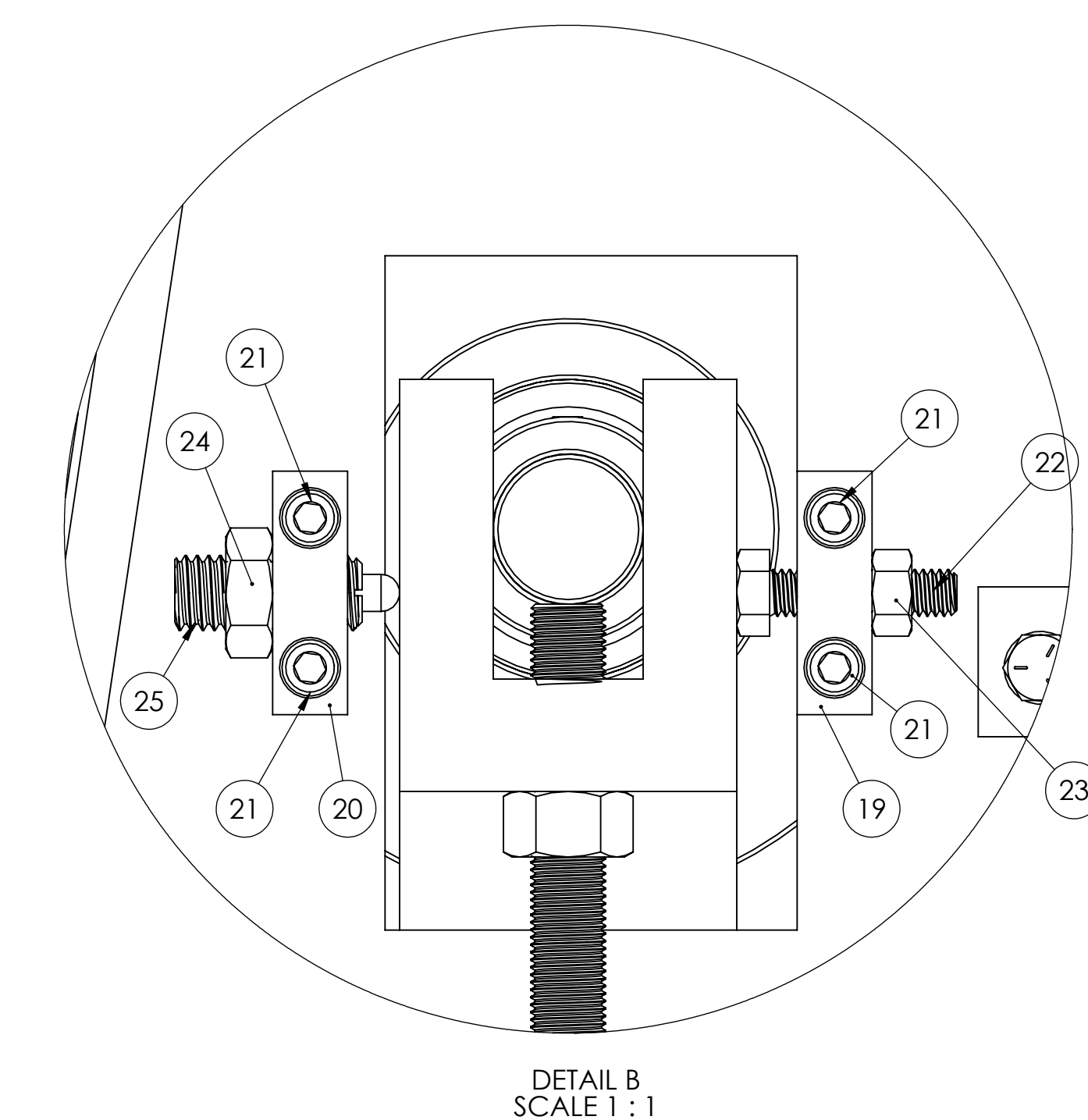
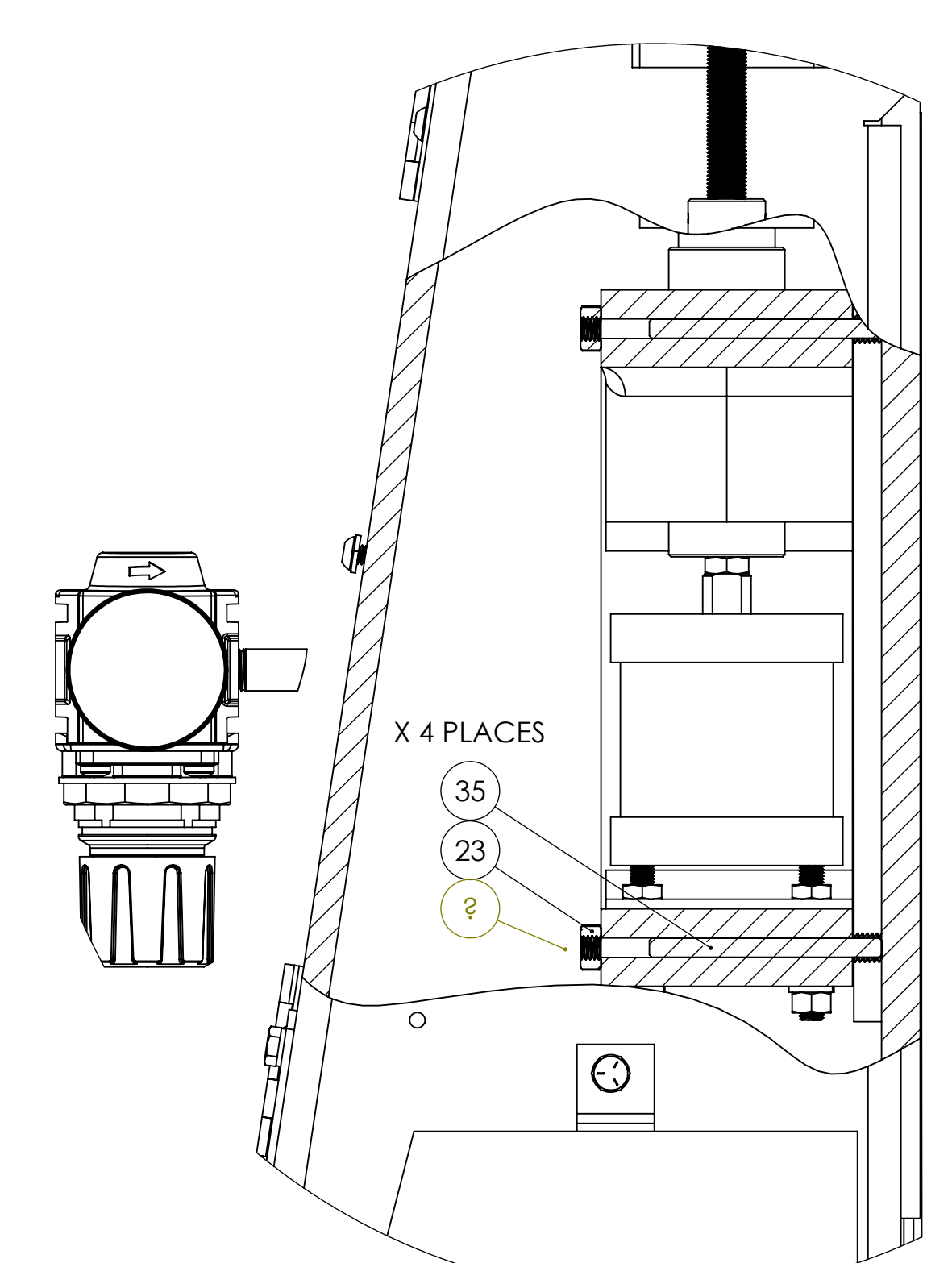
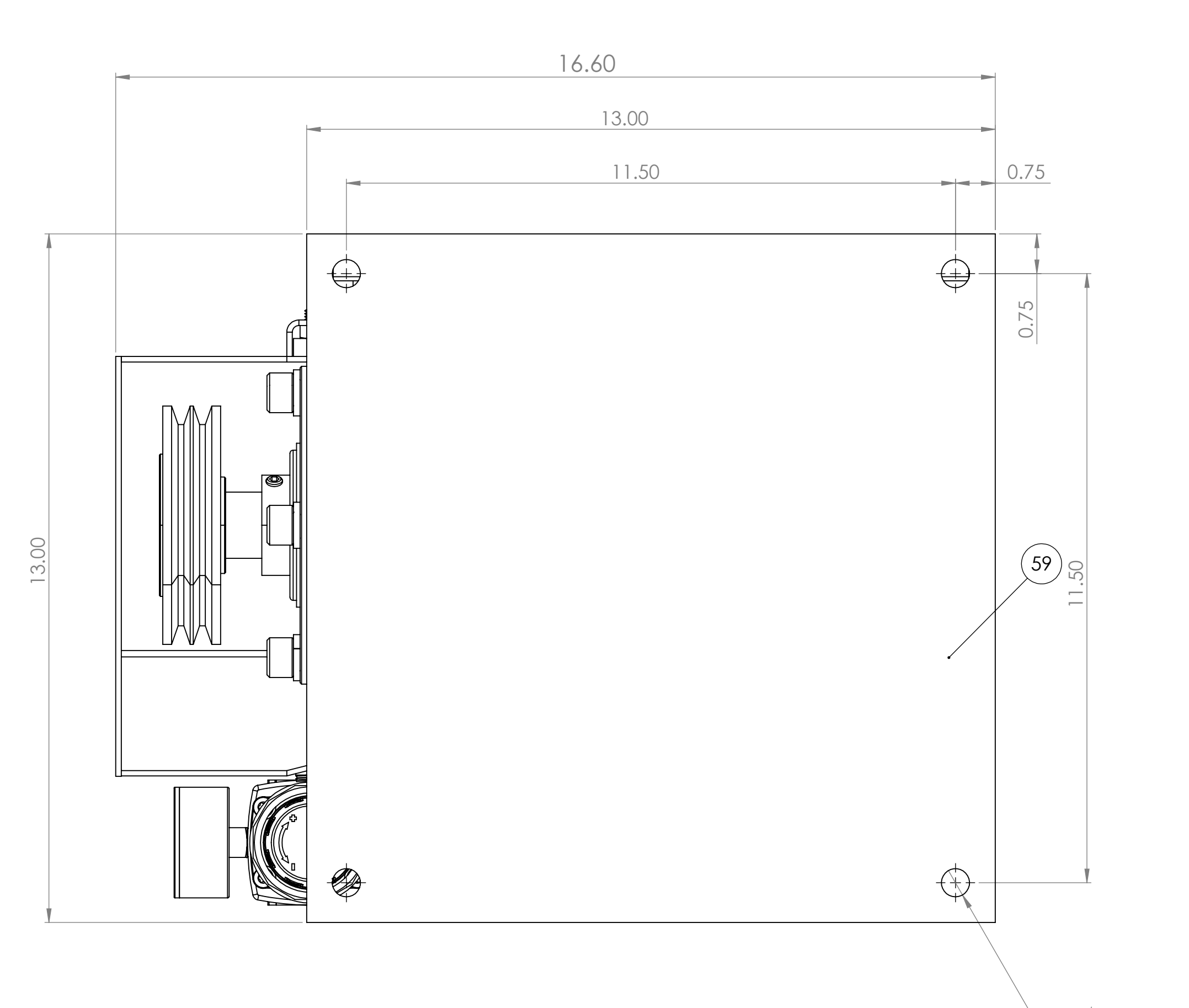
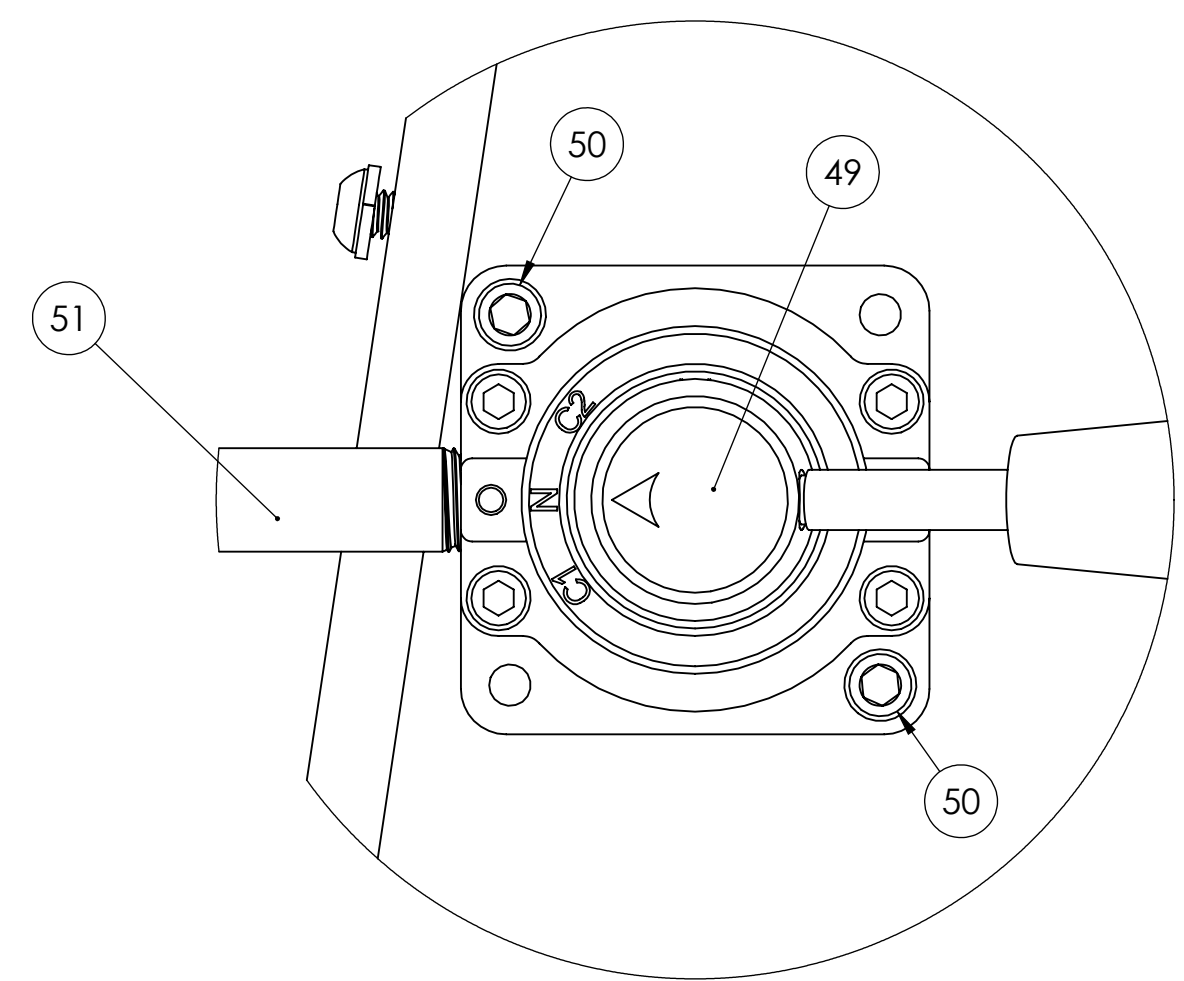
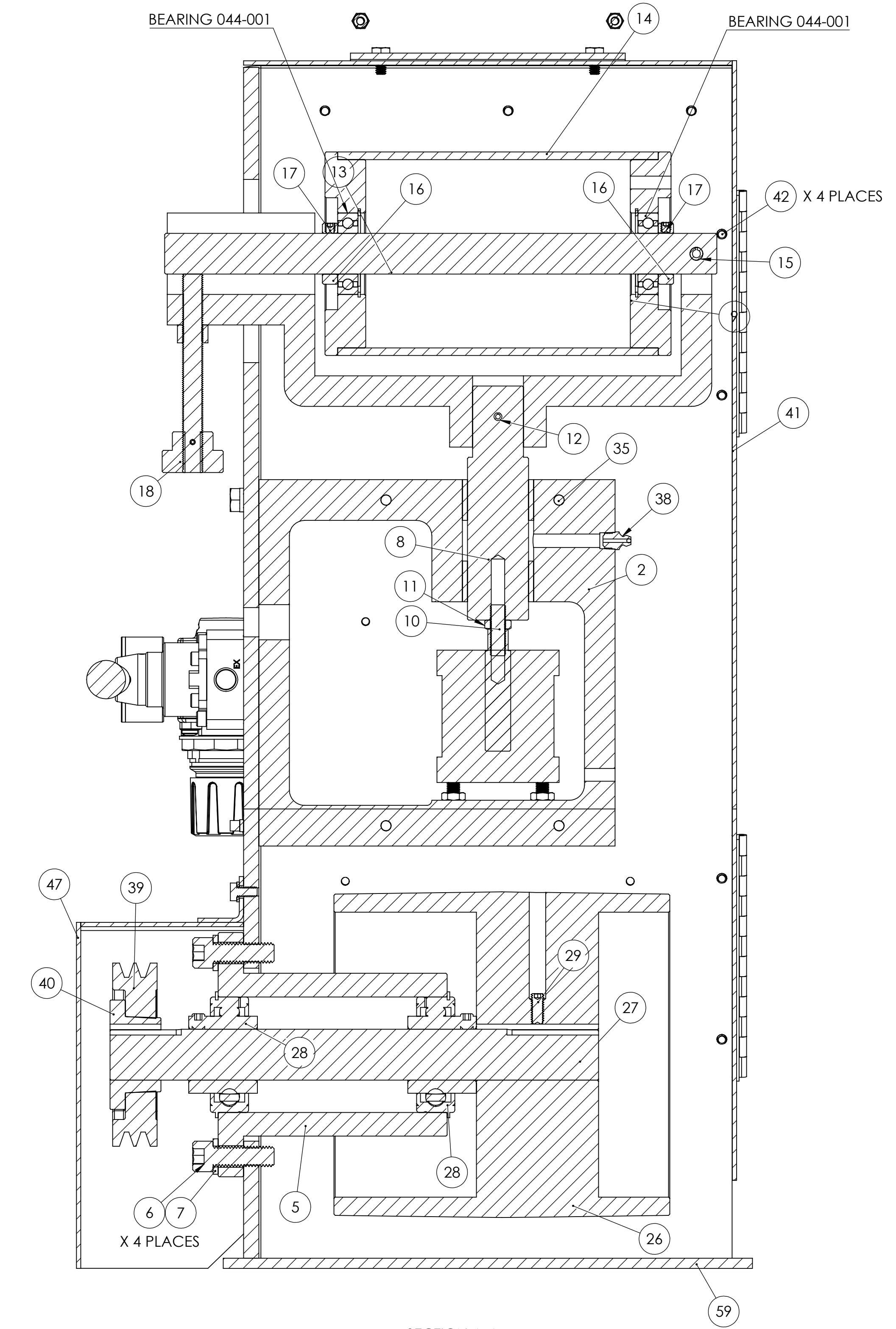
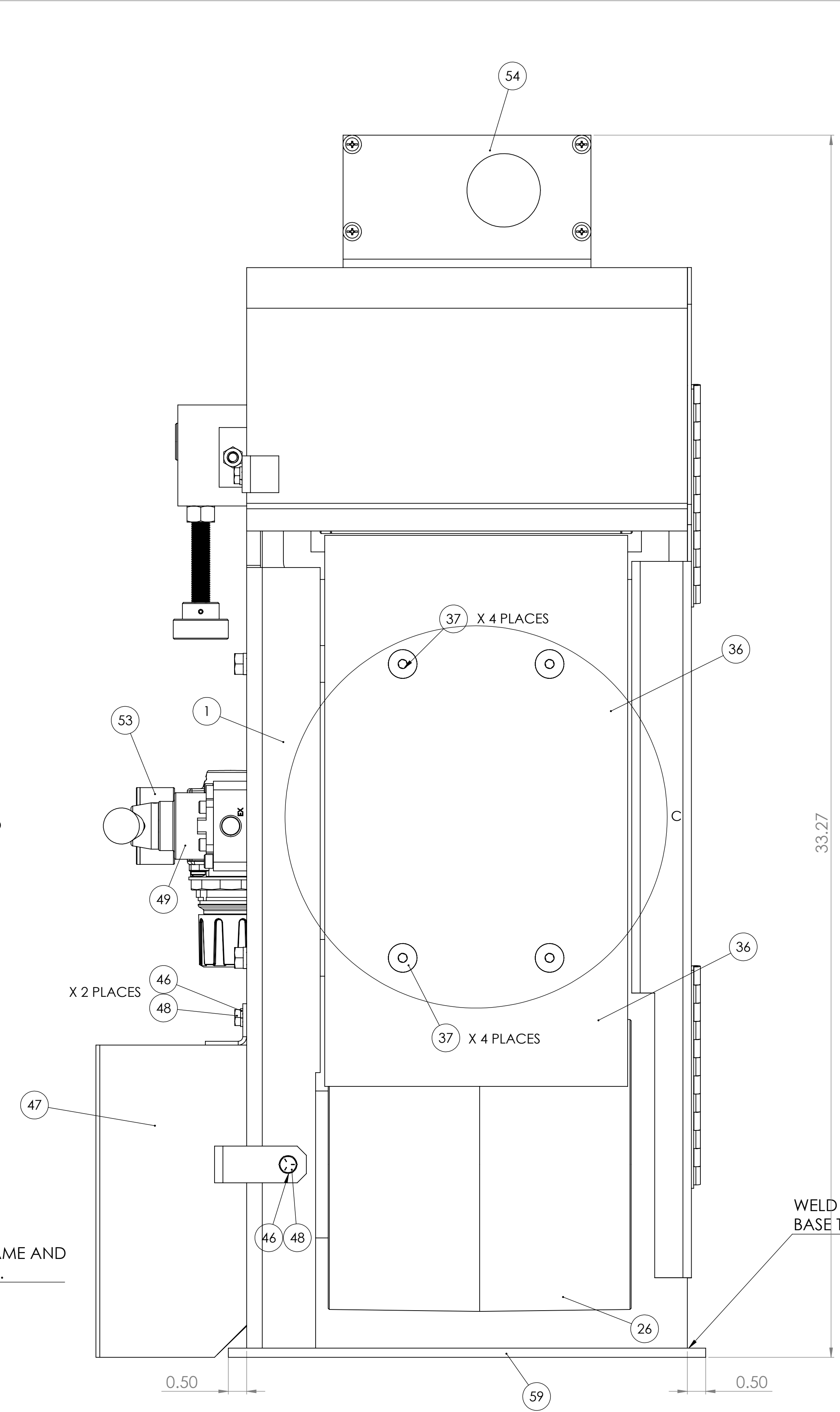
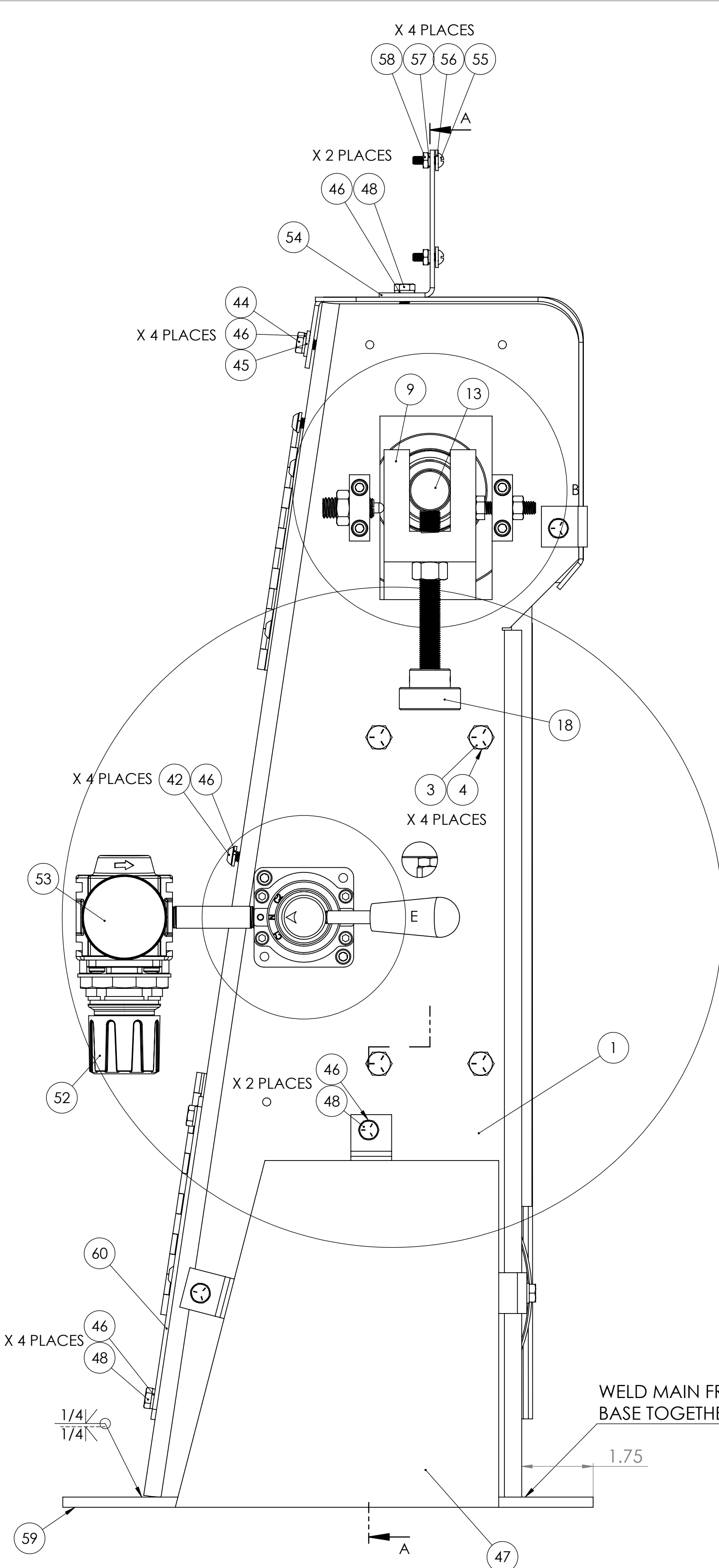
**Install inner bearing approx 3" on shaft, lock 2 set screws.**



**Be sure spindle is flush with pulley ID face.**







ITEM NO.	PART NUMBER	DESCRIPTION	QTY.
1	291-008	MAIN FRAME FOR S8D	1
2	291-025	PLATEN SUPPORT FRAME FOR S8D SANDERS	1
3	HHC5037020	3/8-16 X 1-1/4 HHCS GR5 Z	4
4	SLWZ037	3/8 SPLIT L/W Z	4
5	384-016	HOUSING, BEARING FOR S8 SANDERS	1
6	SHCA050024	1/2-13 X 1-1/2 SHCS	4
7	SLWZ050	1/2 SPLIT L/W Z	4
8	575-012	POST. IDLER YOKE FOR S8 SANDERS	1
9	960-007	YOKE FOR S8 SANDERS	1
10	709-010A	3/8-24 X 1-1/4 STUD FOR S8D SANDERS	1
11	FJNZ038	3/8-24 F H JAM NUT	1
12	ROLA018032	3/16 X 2 ROLL PIN	1
13	701-023	SPINDLE, IDLER FOR S8 SANDERS	1
14	560-024	IDLER PULLEY WITH BEARINGS FOR S8 SANDERS	1
15	ROLA031032	5/16 X 2 ROLL PIN	1
16	123-016	S6 IDLER PULLEY LOCK COLLAR	2
17	SSKA025004	1/4-20 X 1/4 SOC SET KNURL PT.	2
18	441-016ASSY	TRACKING KNOB ASSEMBLY FOR S8 AND S10 SANDERS	1
19	053-009	TRACKING BLOCK- 5/16 THREADED HOLE	1
20	053-009B	TRACKING BLOCK- 1/2-13 THREADED HOLE	1
21	SHCA025016	1/4-20 X 1 SHCS	4
22	HHC5031020	5/16-18 X 1-1/4 HHCS GR 5 Z	1
23	FHN5031	5/16-18 FHN GR5 ZINC	5
24	FJNZ050	1/2-13 F H JAM NUT Z	1
25	SPPA050020	1/2-13 X 1-1/4 SPRING PLUNGER W BROWN DELRIN NOSE ALLOY	1
26	560-023	DRIVE PULLEY FOR S8 SANDERS	1
27	701-022	SPINDLE, DRIVE FOR S8 SANDERS	1
28	044-014	SER207-20 SER207-20 (ER20C) SPINDLE BEARING FOR S8 DRIVE PULLEY AND S10	2
29	SSSA031012	5/16-18 X 3/4 SOC SET CUP PT	1
30	131-010	2500B-1.50 2.50X1.50 AMERICAN MINI PAK CYLINDER FOR S8, S10 SANDERS	1
31	SSSA032036	5/16-24 X 2-1/4 SOC SET CUP PT	4
32	FJNZ032	5/16-24 F H JAM NUT Z	4
33	FHN5032	5/16-24 FHN GR5 Z	4
34	SLWZ031	5/16 SPLIT L/W Z	4
35	645-022	PUSH ROD FOR S8 SANDERS	4
36	563-004	PLATEN FOR S8 SANDERS	1
37	FSCA037024	3/8-16 X 1-1/2 FSHCS	4
38	ZERK012000	1/8-27 X 11/16 STRT LUBE FITTING	1
39	560-060	MOTOR AND SPINDLE PULLEY SHEAVE FOR S8 SANDERS	1
40	049-005	SPINDLE PULLEY BUSHING FOR S8 SANDERS	1
41	147-002	GUARD, DOOR FOR S8D, S8W	1
42	BSCA025008	1/4-20 X 1/2 BSHCS	8
43	342-033	GUARD, TOP FOR S8D	1
44	HHC5025012	1/4-20 X 3/4 HHCS GR5 Z	3
45	UFWZ025	1/4 USS F/W Z	3
46	SLWZ025	1/4 SPLIT L/W Z	17
47	342-070	V-BELT GUARD FOR S8 SANDERS	1
48	HHC5025008	1/4-20 X 1/2 HHCS GR5 Z	10
49	912-014	HVN4200-8 PARKER 1/4 WAY VALVE, 3P ROTARY HAND VALVE	1
50	SHCA025024	1/4-20 X 1-1/2 SHCS	2
51	02530040BLN	02530040BLN 1/4 X 3 BLACK PIPE NIPPLE	1
52	641-021	P32RB928NHP PARKER REGULATOR 1/4" 125PSI RELIEVING MODULAR REGULATOR	1
53	18-013-212	18-013-212 1.5- 1/8 CBM-O-160 SWITCH BRACKET FOR E2PB	1
54	041-112	18-013-212 1.5- 1/8 CBM-O-160 SWITCH BRACKET FOR E2PB BUTTON ENCLOSURE	1
55	CRMZ011010	10-32 X 5/8 COMBO ROUND M/S Z	4
56	MSWZ010	#10 M.S. F/W Z	4
57	SLWZ010	#10 SPLIT L/W Z	4
58	MSNZ011	10-32 M.S. NUT Z	4
59	556-024	PLATE, BASE FOR S8D	1
60	291-008A	VACUUM PLATE FOR S8 UPPER HEAD ASSEMBLY	1

UNLESS OTHERWISE SPECIFIED:  
DIMENSIONS ARE IN INCHES  
TOLERANCES:  
FRACTIONS ± .005  
DECIMALS ± .001  
THREE PLACE DECIMAL ± .0005  
HOLE DIA. ± .0015  
HOLE DIA. ± .0015  
HOLE DIA. ± .0015

PROPERTY AND CONFIDENTIAL  
THE INFORMATION CONTAINED IN THIS DRAWING IS THE SOLE PROPERTY OF KALAMAZOR. IT IS TO BE USED ONLY FOR THE PURPOSES AND IN THE MANNER SPECIFIED BY THE DRAWING. REPRODUCTION IN PART OR AS A WHOLE WITHOUT THE WRITTEN PERMISSION OF KALAMAZOR COMPANY IS PROHIBITED.

DATE: \_\_\_\_\_  
DRAWN BY: \_\_\_\_\_  
CHECKED BY: \_\_\_\_\_  
ENG APPR: \_\_\_\_\_  
MFG APPR: \_\_\_\_\_  
D.A. COMMENTS: \_\_\_\_\_

**KALAMAZOR**

**S8 UPPER HEAD ASSEMBLY**

SCALE: 1:5 WEIGHT: \_\_\_\_\_ SHEET 1 OF 1