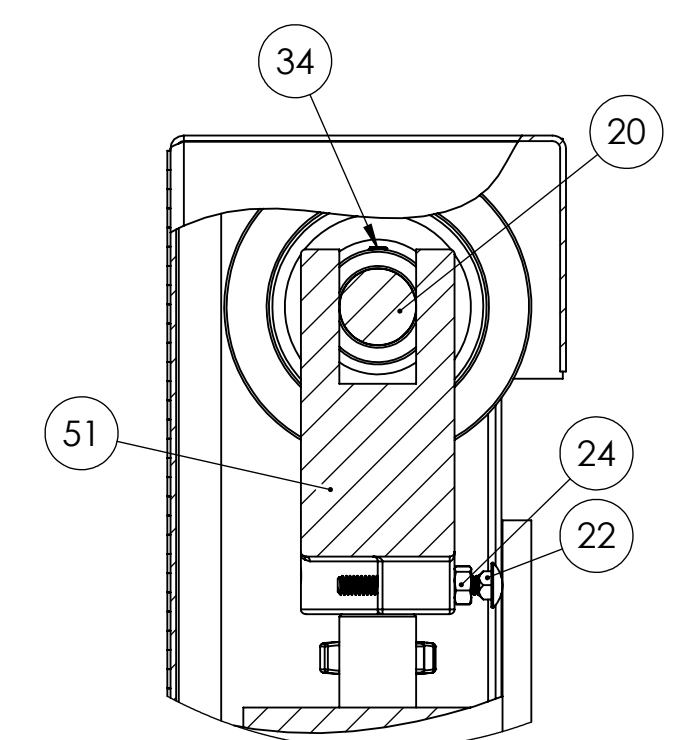
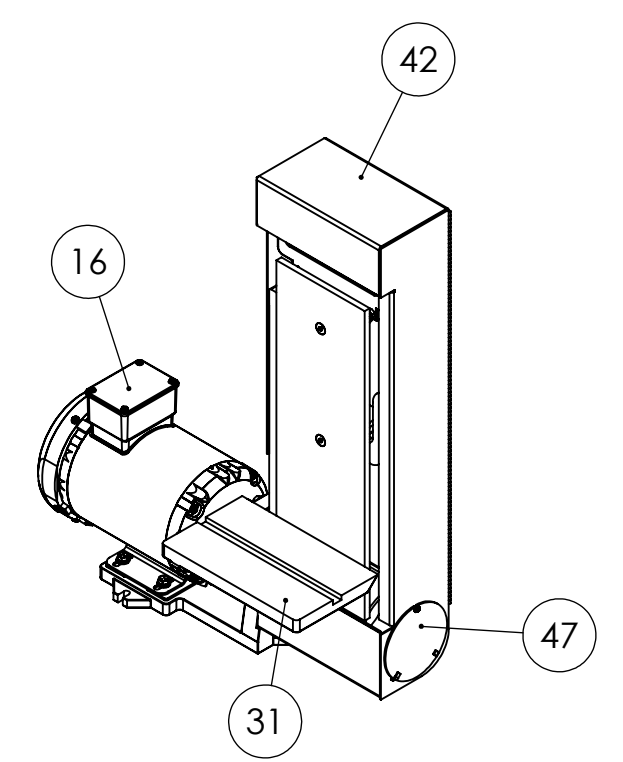
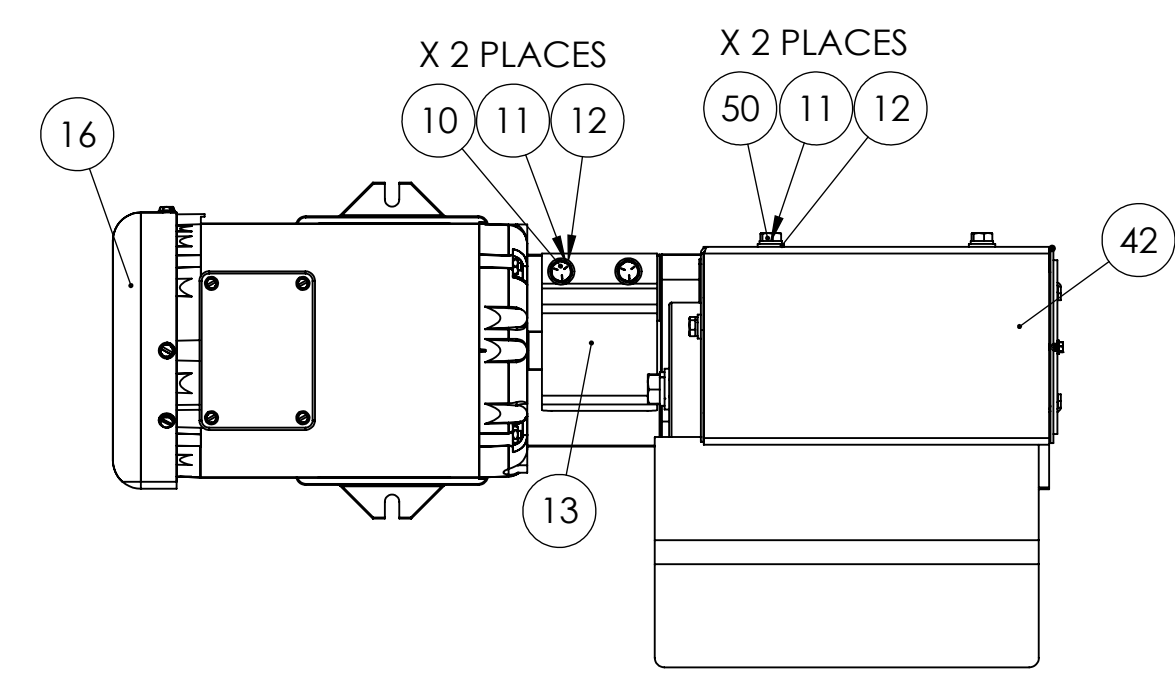
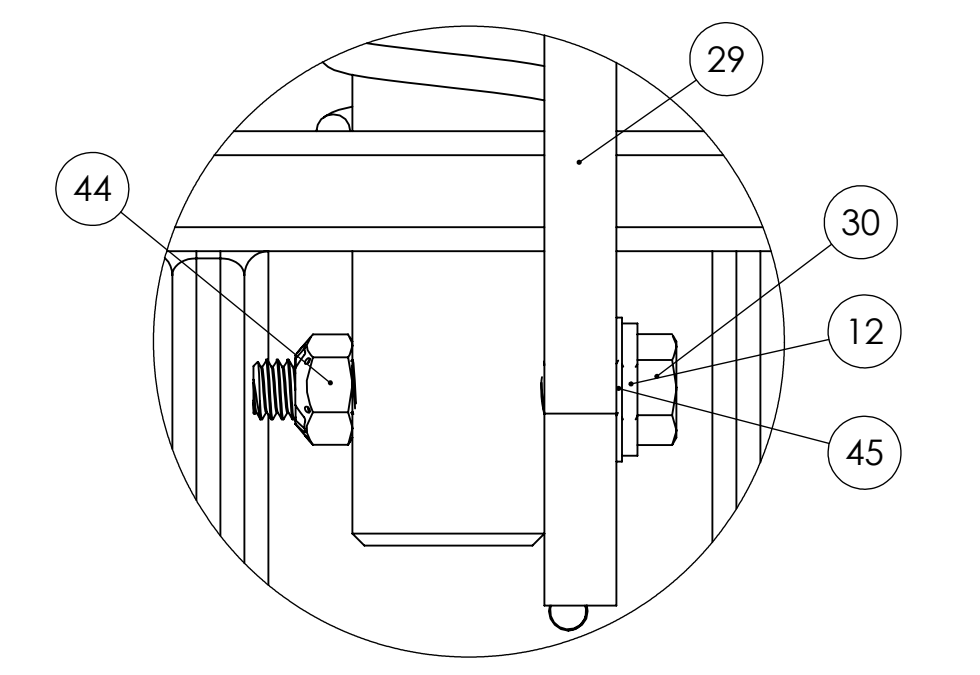


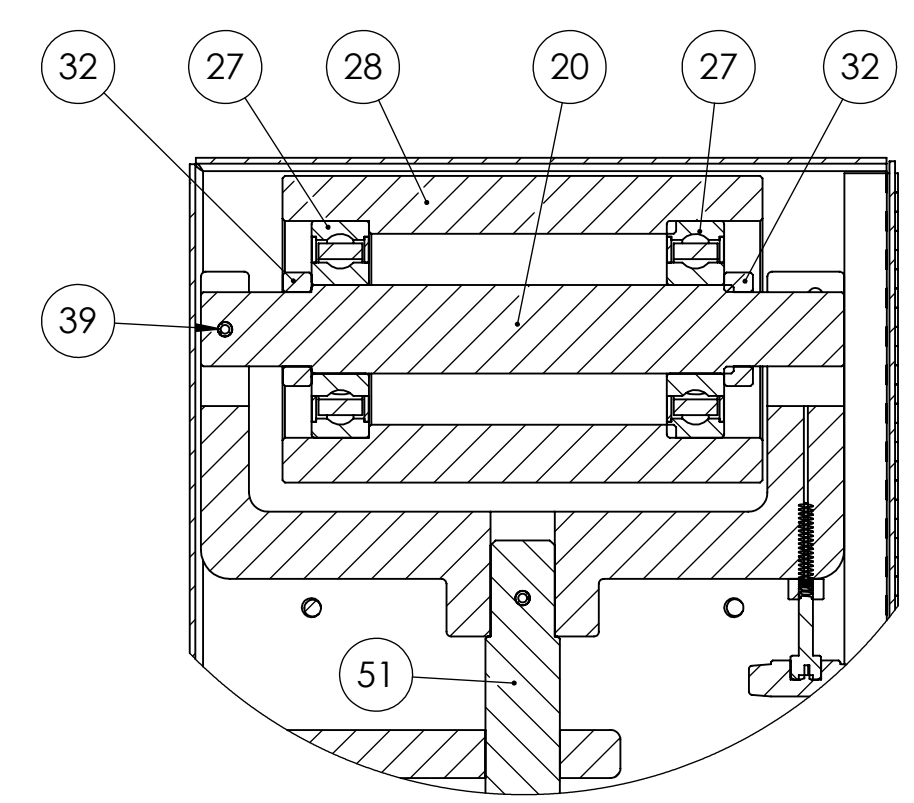
ITEM NO.	PART NUMBER	DESCRIPTION	QTY.
1	050-020	S6 BASE	1
2	560-015	S6 DRIVE PULLEY	1
3	701-018	S6 DRIVE SPINDLE	1
4	386-013	S6 BEARING HOUSING	1
5	044-007	K10 BEARING	1
6	044-001	K12 BEARING	1
7	SHCA031024	5/16-18 X 1-1/2 SHCS	2
8	SSHA025006	1/4-20 X 3/8 SOC SET 1/2 DOG	1
9	148-001	S6 COUPLING ASSEMBLY	1
10	HHC5031012	5/16-18 X 3/4 HCS GR5 Z	6
11	SLWZ031	5/16 SPLIT L/W Z	8
12	UFWZ031	5/16 USS F/W Z	9
13	342-023	S6 COUPLING GUARD	1
14	641-007	RETAINING RING 1" FOR S6, S460W, S612 DRIVE SPINDLE	1
15	641-016	RETAINING RING SHR-62 ST PA 5/8	1
16	486-007	3HP FOR K8B, K10B, KM10, BG260H, S460W, S6M AND S6T2	1
17	UFWZ025	1/4 USS F/W Z	4
18	HHC5025016	1/4-20 X 1 HHCS GR5 Z	3
19	SLWZ025	1/4 SPLIT L/W Z	4
20	701-019N	S6 IDLER SPINDLE- NEW STYLE	1
21	ROLA025024	1/4 X 1-1/2 ROLL PIN	1
22	CRBZ025032	1/4-20 X 2 CARRIAGE BOLT ZINC PLATED	2
23	291-030	CAST IRON FRAME FOR S660 DRY SANDERS	1
24	FHN5025	1/4-20 FHN GR5 Z	2
25	697-024	S6 BELT TENSION SPRING	1
26	SLWZ050	1/2 SPLIT L/W Z	1
27	044-004	K20 SPINDLE BEARING	2
28	560-016-2	S6 IDLER PULLEY- NEW STYLE	1
29	455-003A	TENSION RELEASE LEVER FOR S660 SANDER HEADS	1
30	HHT5031032	5/16-18X2 HEX HEAD TAP BOLT GR5 ZINC	1
31	829-012	S6 WORK TABLE	1
32	123-016	S6 IDLER PULLEY LOCK COLLAR	2
33	563-023	PLATEN FOR S660 SERIES SANDERS	1
34	SSKA025004	1/4-20 X 1/4 SOC SET KNURL PT.	2
35	441-014	TRACKING KNOB ASSEMBLY	1
36	FSCA031012	5/16-18 X 3/4 FSHCS	3
37	HHC5050032	1/2-13 X 2 HHCS GR5 Z	1
38	SFWZ050	1/2 SAE F/W Z	1
39	ROLA018032	3/16 X 2 ROLL PIN	1
40	DOWA025032	1/4 X 2 DOWEL PIN	1
41	FHN5031	5/16-18 FHN GR5 ZINC	1
42	342-085	S660 GUARD, FULL BOXED OSHA, FOR S660M, S660MW SANDERS	1
43	342-069-E	S6 BELT GUARD BOTTOM PLATE	1
44	STNZ031	5/16-18 STOVER LOCK NUT ZINC-WAX	1
45	BWWA031	5/16 BOWED SPRING WASHER 21/64	1
46	HHC5025012	1/4-20 X 3/4 HHCS GR5 Z	1
47	342-069C	BLANK COVER FOR S6M SANDER OSHA GUARD	1
48	HWTZ008008	#8 X 1/2 HWH TEKS Z	1
49	699-050	S660 SERIES OSHA GUARD TO FRAME SPACER	1
50	HHC5031008	5/16-18 X 1/2 HHCS GR5 Z	2
51	960-006YA	YOKE WITH TENSION SHAFT FOR S6 SANDERS	1



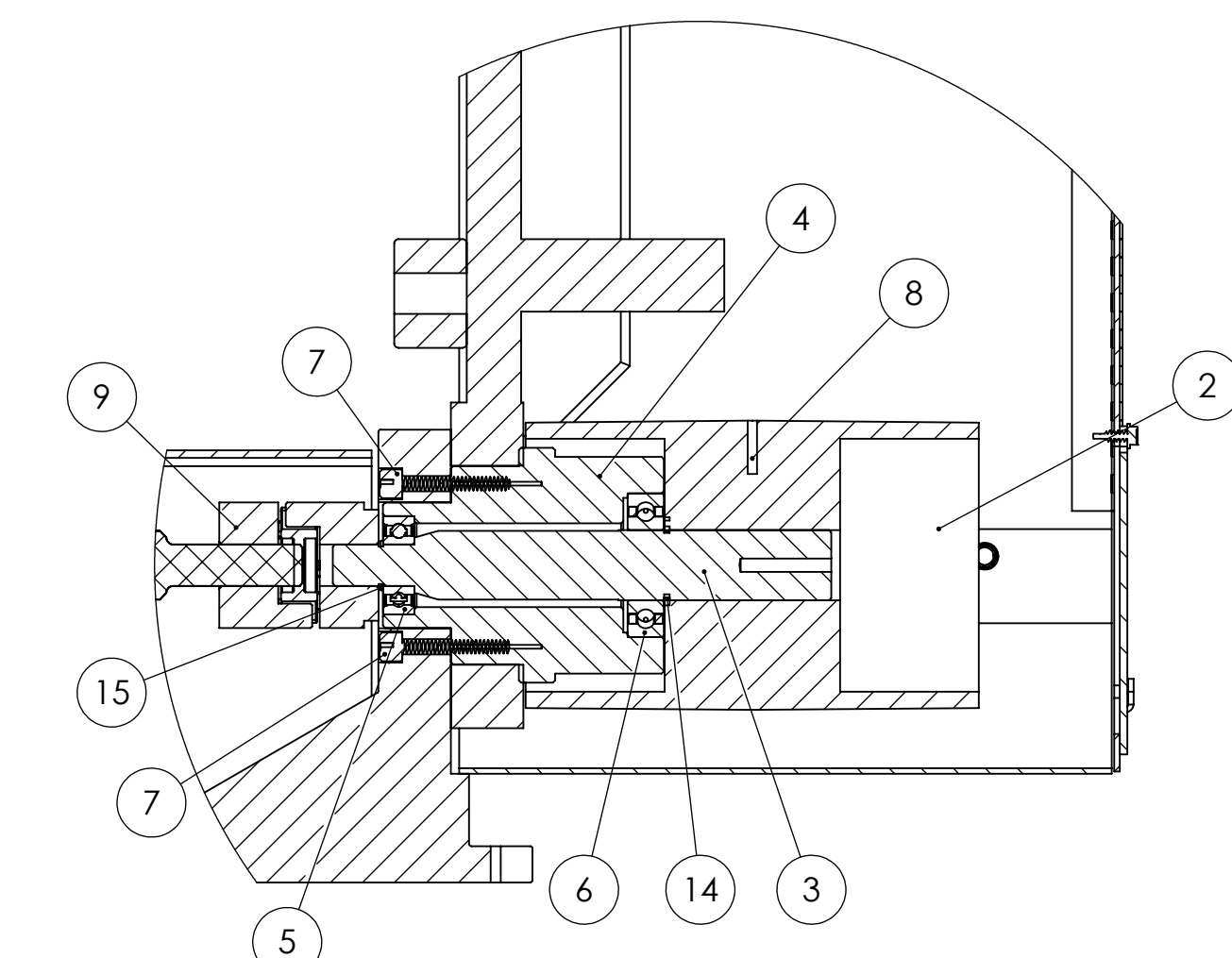
DETAIL F
SCALE 2 : 5
BELT TRACKING DETAILS



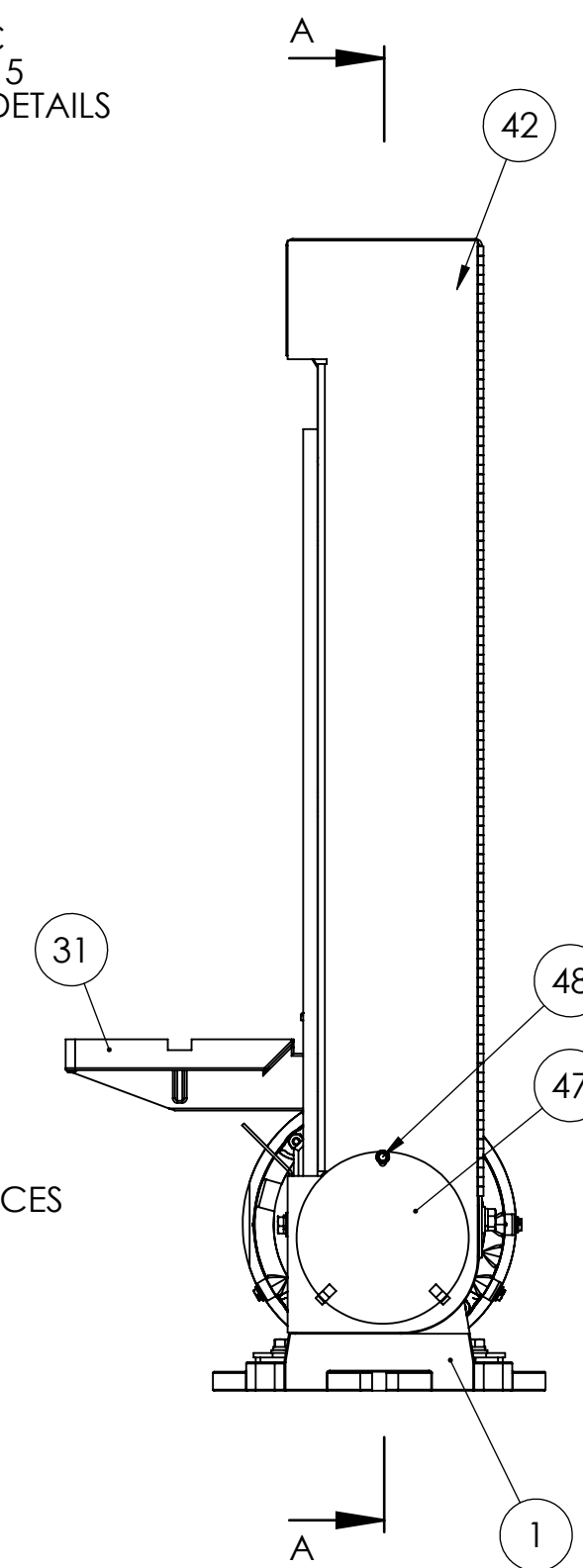
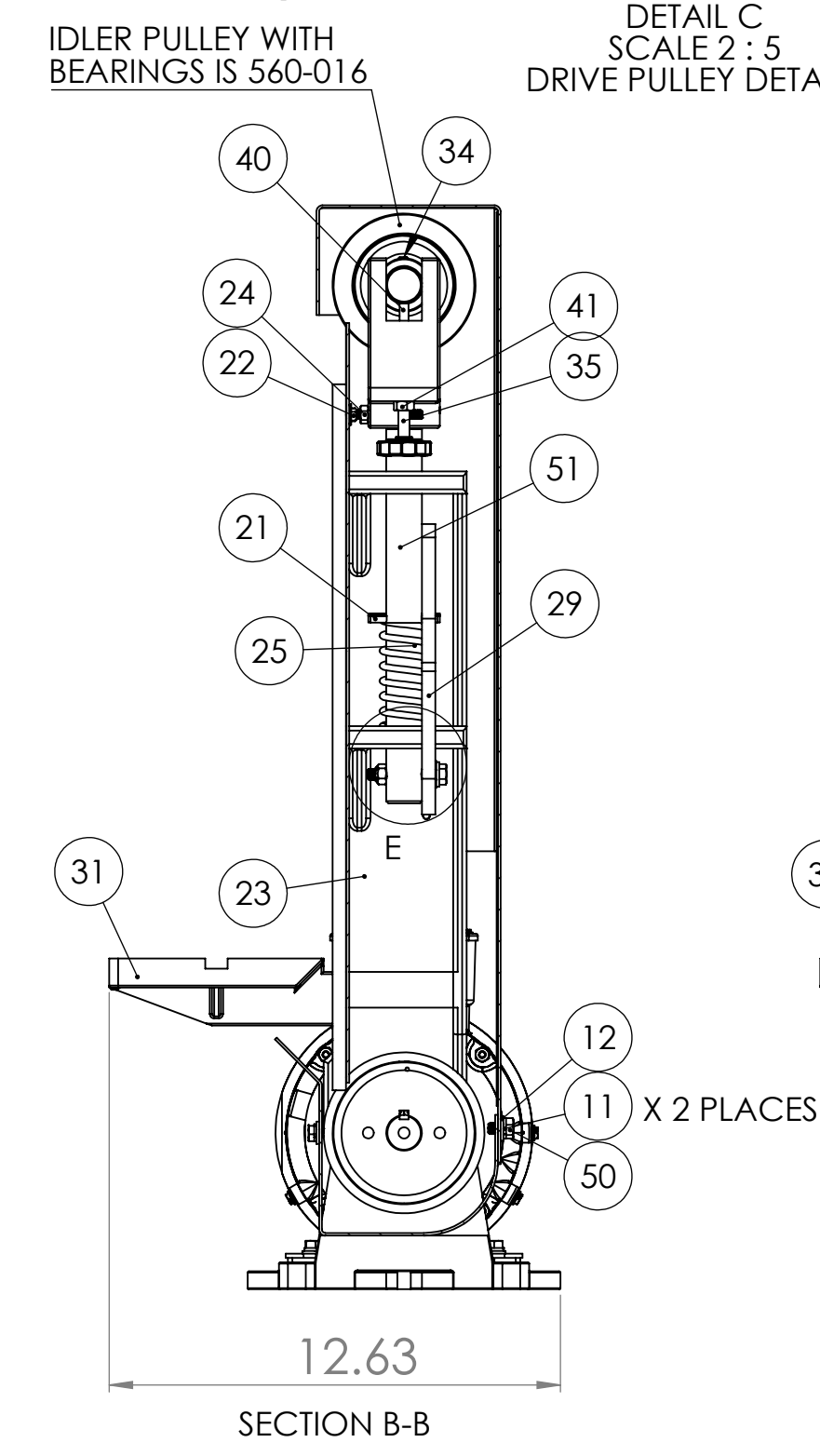
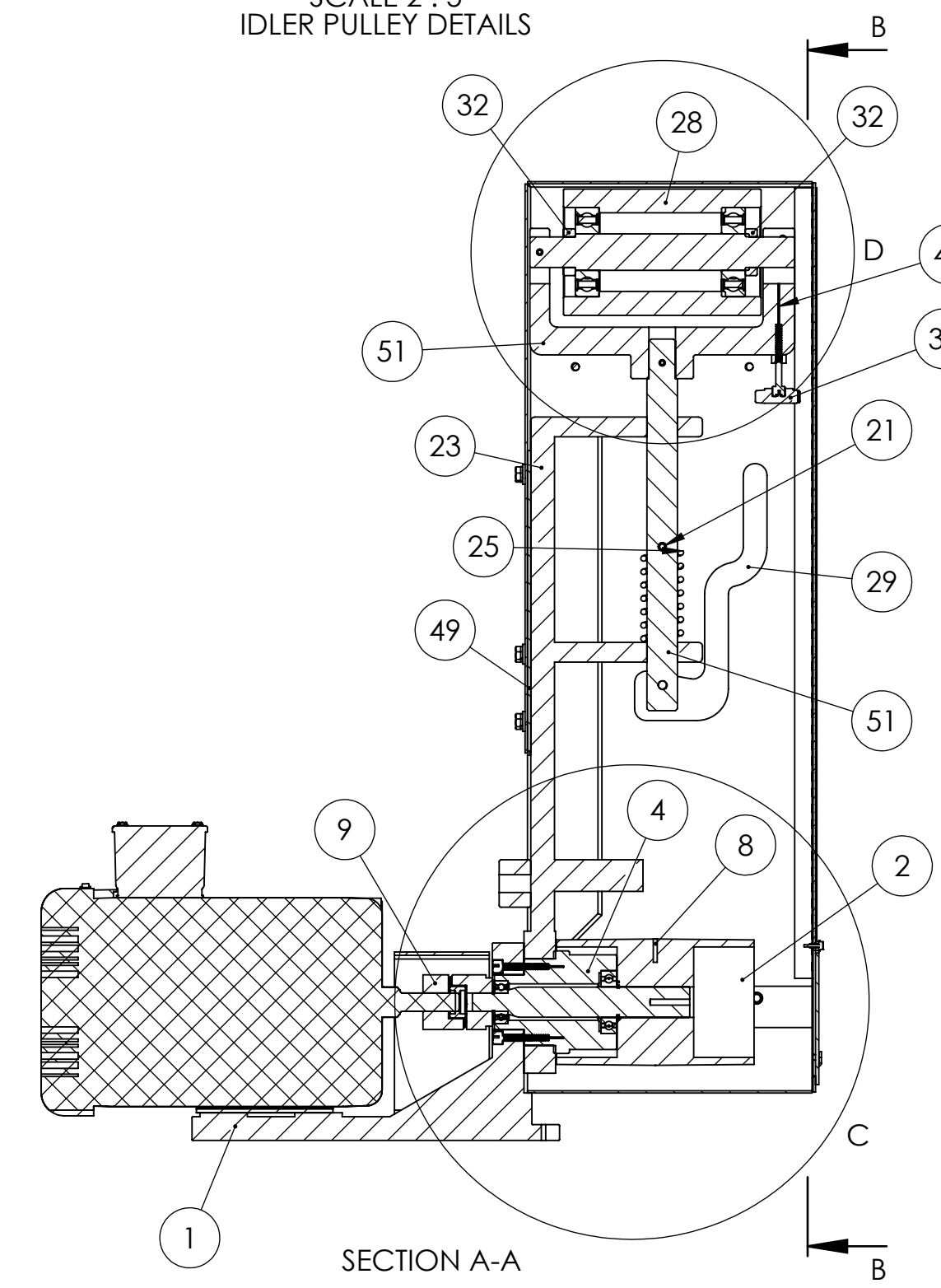
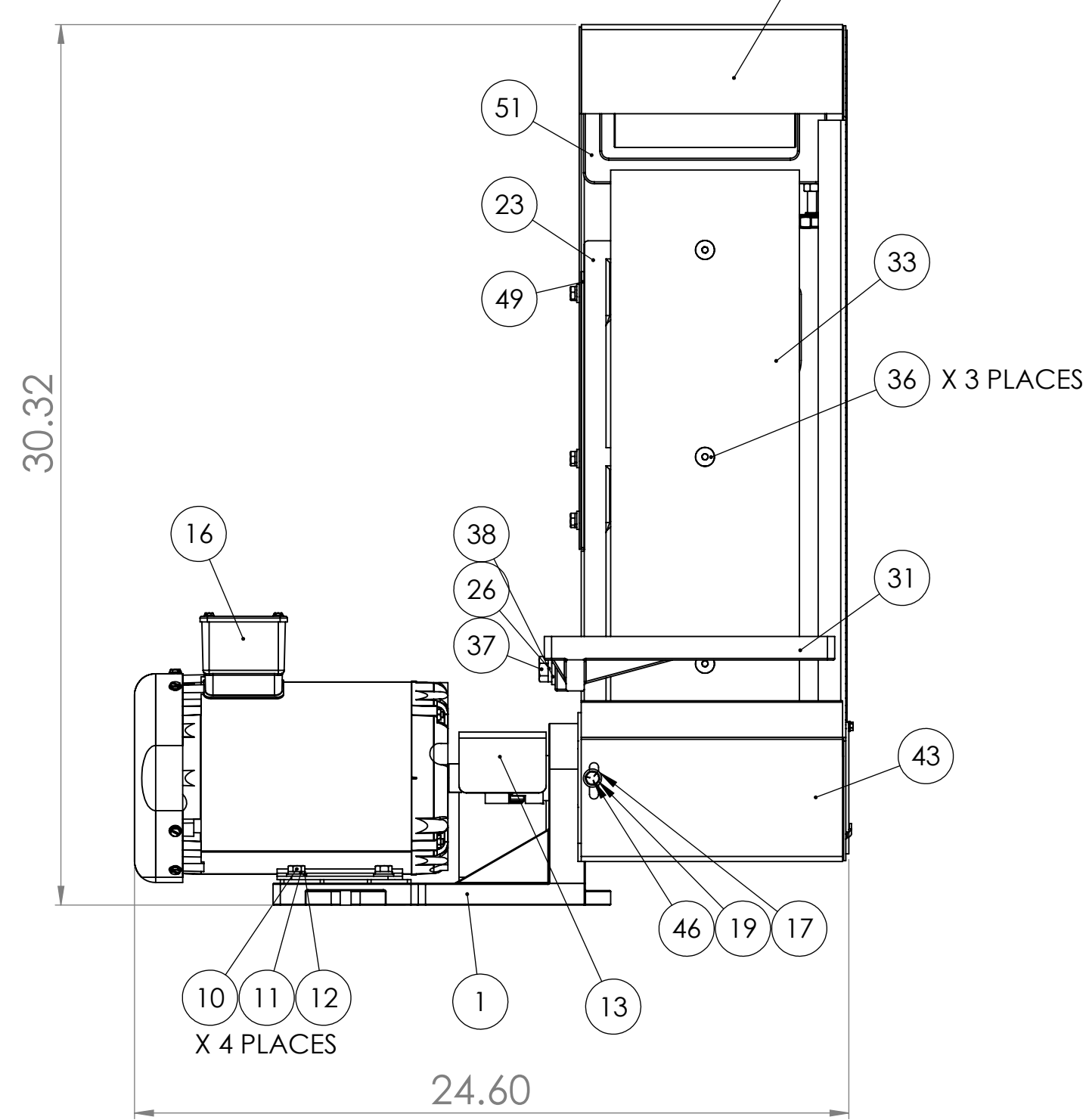
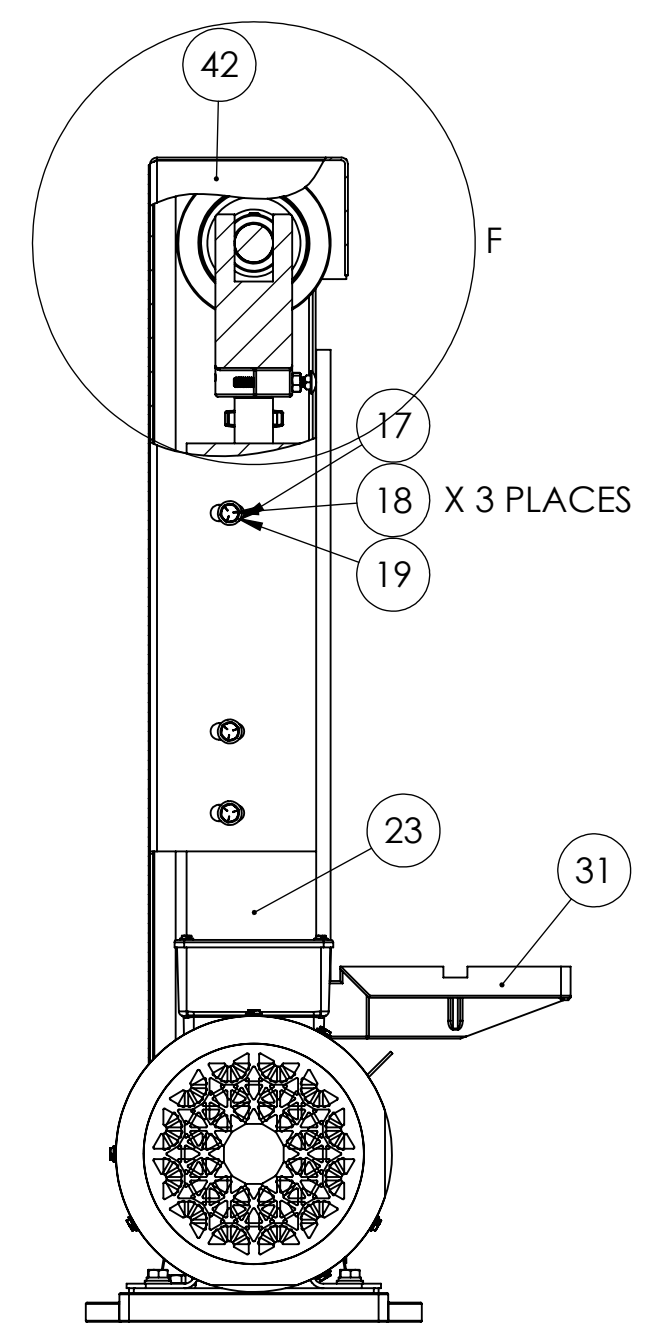
DETAIL E
SCALE 1 : 1
BELT TENSION LEVER DETAILS



DETAIL D
SCALE 2 : 5
IDLER PULLEY DETAILS



DETAIL C
SCALE 2 : 5
DRIVE PULLEY DETAILS



UNLESS OTHERWISE SPECIFIED:	DRAWN	NAME	DATE
DIMENSIONS ARE IN INCHES	CHECKED		
TOLERANCES:	ENG APPR.		
FRACTIONAL ±	MFG APPR.		
ANGULAR ±			
TWO PLACE DECIMAL ±			
THREE PLACE DECIMAL ±			
INTERPRET GEOMETRIC TOLERANCING PER:			
MATERIAL			
FINISH			
APPLICATION			

PROPRIETARY AND CONFIDENTIAL	
THE INFORMATION CONTAINED IN THIS DRAWING IS THE SOLE PROPERTY OF KALAMAZOO INDUSTRIES, INC. ANY REPRODUCTION IN PART OR AS A WHOLE WITHOUT THE WRITTEN PERMISSION OF KALAMAZOO INDUSTRIES, INC. IS PROHIBITED.	

TITLE:	S660M BELT SANDER ASSEMBLY
SIZE DWG. NO.	D S660M
SCALE: 1:5 WEIGHT:	SHEET 1 OF 1