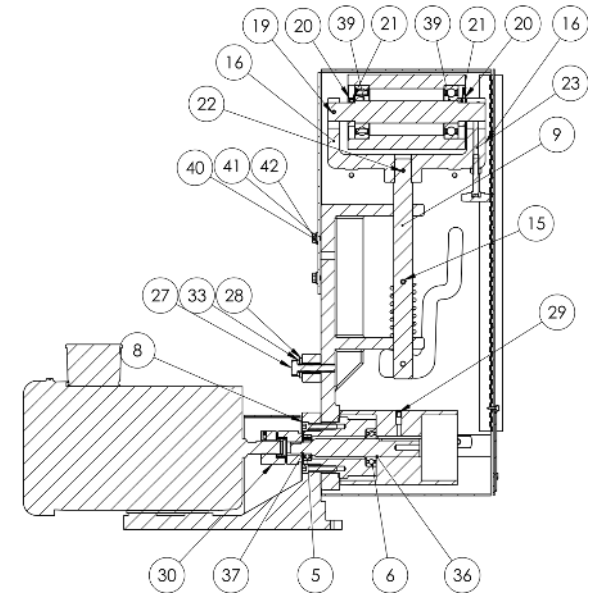
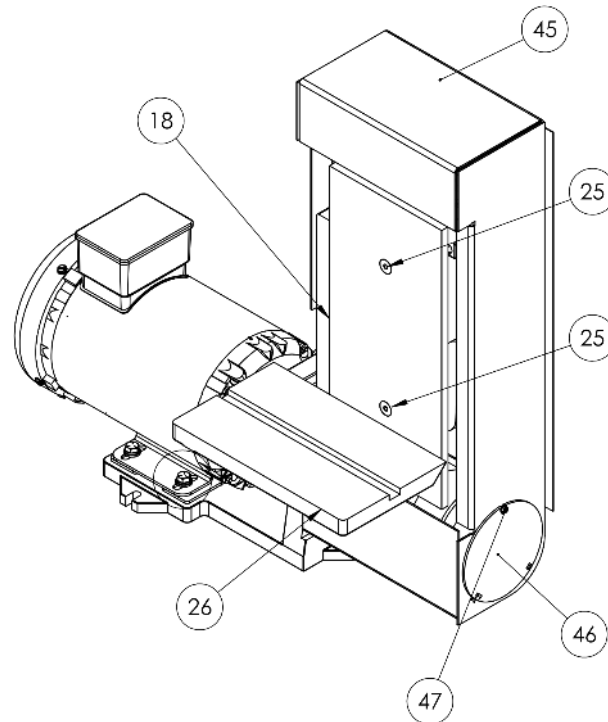
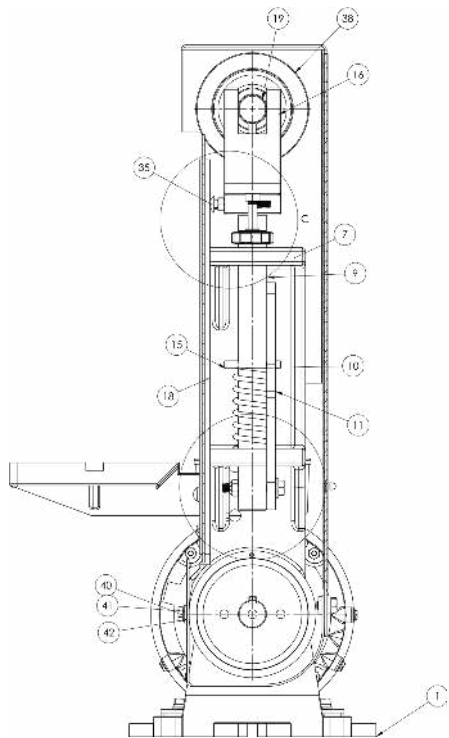
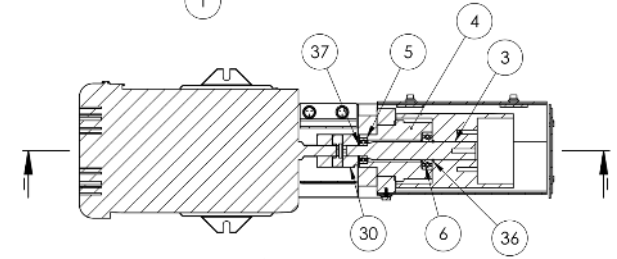
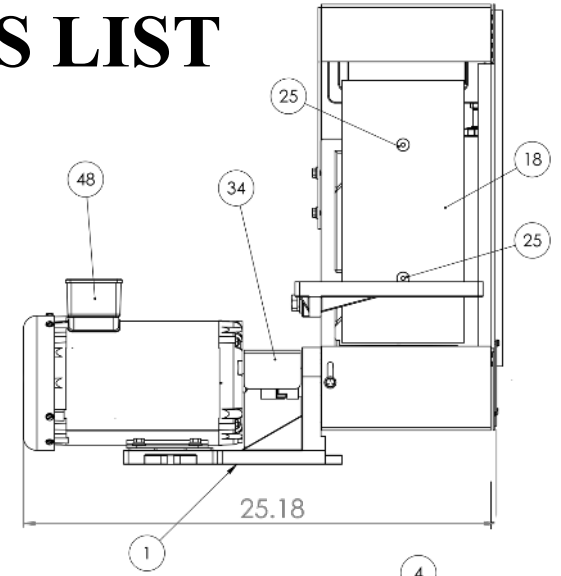
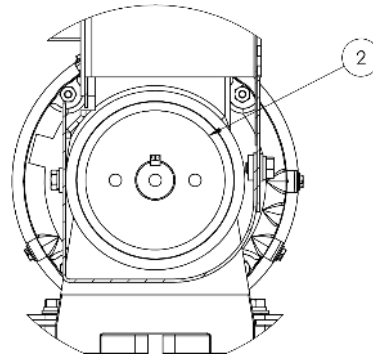
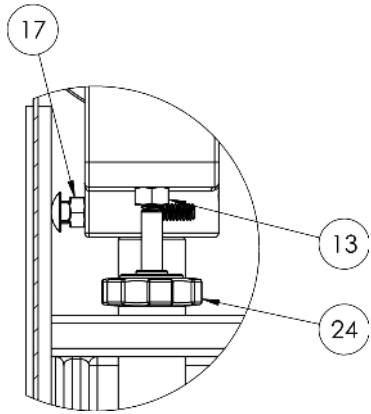


S6M 6" X 48" REPLACEMENT PARTS LIST



960-006YA	S6 YOKE ASSEMBLY INCLUDING IDLER PULLEY, YOKE, BEARINGS, SPINDLE, AND SHAFT	ITEM NO.	ITEM NO.	PART NUMBER	DESCRIPTION	QTY.
			1	050-020	S6 BASE	1
	960-006 YOKE W SHAFT	16	2	560-015	S6 DRIVE PULLEY	1
	700-004 S6 TENSION SHAFT	9	3	701-018	S6 DRIVE SPINDLE	1
	ROLA018032 3/16 X 2 ROLL PIN	22	4	386-013	S6 BEARING HOUSING	1
	560-016IPA IDLER PULLEY ASSEMBLY W PULLEY, SPINDLE, LOCKING COLLARS, AND BEARINGS		5	044-007	K10 BEARING	1
			6	044-001	K12 BEARING	1
	701-019-N S6 IDLER SPINDLE NEW STYLE	19	7	291-004	CAST IRON FRAME FOR S6M, S612 SANDERS	1
	123-016 S6 IDLER PULLEY LOCK COLLAR	20	8	SHCA031024	5/16-18 X 1-1/2 SHCS	2
	SSKA025004 1/4-20 X 1/4 SOC SET KNURL PT.	21	9	700-004	S6 TENSION SHAFT	1
	044-004 S6M PULLEY BEARING	INCLUDED WITH 560-016IPA	10	697-024	S6 BELT TENSION SPRING	1
			11	455-003	TENSION RELEASE LEVER FOR S6 SANDER HEADS	1
			12	HHT5031032	5/16-18x2 HEX HEAD TAP BOLT GR5 ZINC	1
			13	FHN5031	5/16-18 FHN GR5 ZINC	1
			14	UFWZ031	5/16 USS F/W Z	7
			15	ROLA025024	1/4 X 1-1/2 ROLL PIN	1
			16	960-006	S6 IDLER PULLEY YOKE W SHAFT	1
			17	FHN5025	1/4-20 FHN GR5 Z	2
			18	563-002	S6 BELT PLATEN	1
			19	701-019-N	S6 IDLER SPINDLE- NEW STYLE	1
			20	123-016	S6 IDLER PULLEY LOCK COLLAR	2
			21	SSKA025004	1/4-20 X 1/4 SOC SET KNURL PT.	2
			22	ROLA018032	3/16 X 2 ROLL PIN	2
			23	DOWA025032	1/4 X 2 DOWEL PIN	1
			24	441-014	TRACKING KNOB ASSEMBLY	1
			25	FSCA031012	5/16-18 X 3/4 FSHCS	2
			26	829-012	S6 WORK TABLE	1
			27	HHC5050032	1/2-13 X 2 HHCS GR5 Z	1
			28	SFWZ050	1/2 SAE F/W Z	1
			29	SSHA025006	1/4-20 X 3/8 SOC SET 1/2 DOG	1
			30	148-001	S6 LO75 COUPLING ASSEMBLY	1
			31	HHC5031012	5/16-18 X 3/4 HHCS GR5 Z	6
			32	SLWZ031	5/16 SPLIT L/W Z	6
			33	SLWZ050	1/2 SPLIT L/W Z	1
			34	342-023	S6 COUPLING GUARD	1
			35	CRBZ025032	1/4-20 X 2 CARRIAGE BOLT ZINC PLATED	2
			36	641-007	RETAINING RING 1" FOR S6, S460W, S612 DRIVE SPINDLE	1
			37	641-016	RETAINING RING SHR-62 ST PA 5/8 BLACK PHOSPHATE FOR S6, S460W, S612	1
			38	560-016-2	S6 IDLER PULLEY- NEW STYLE	1
			39	044-004	K20 SPINDLE BEARING	2
			40	HHC5025008	1/4-20 X 1/2 HHCS GR5 Z	3
			41	SLWZ025	1/4 SPLIT L/W Z	3
			42	UFWZ025	1/4 USS F/W Z	3
			43	BWWA031	5/16 BOWED SPRING WASHER 21/64	1
			44	STNZ031	5/16-18 STOVER LOCK NUT ZINC-WAX	1
			45	342-069	S6 BELT GUARD ASSEMBLY	1
			46	342-069-C	BLANK COVER FOR S6M SANDER OSHA GUARD	1
			47	HWTZ008008	#8 X 1/2 HWH TEKS Z	1
			48	486-007	3HP, 3450RPM, 3PH, 60HZ, 56F, 220/440 FOR K8B, K10B, KM10, BG260H, S460W	1
			49	Assem1^S6 BELT SANDER ASSEMBLY		1