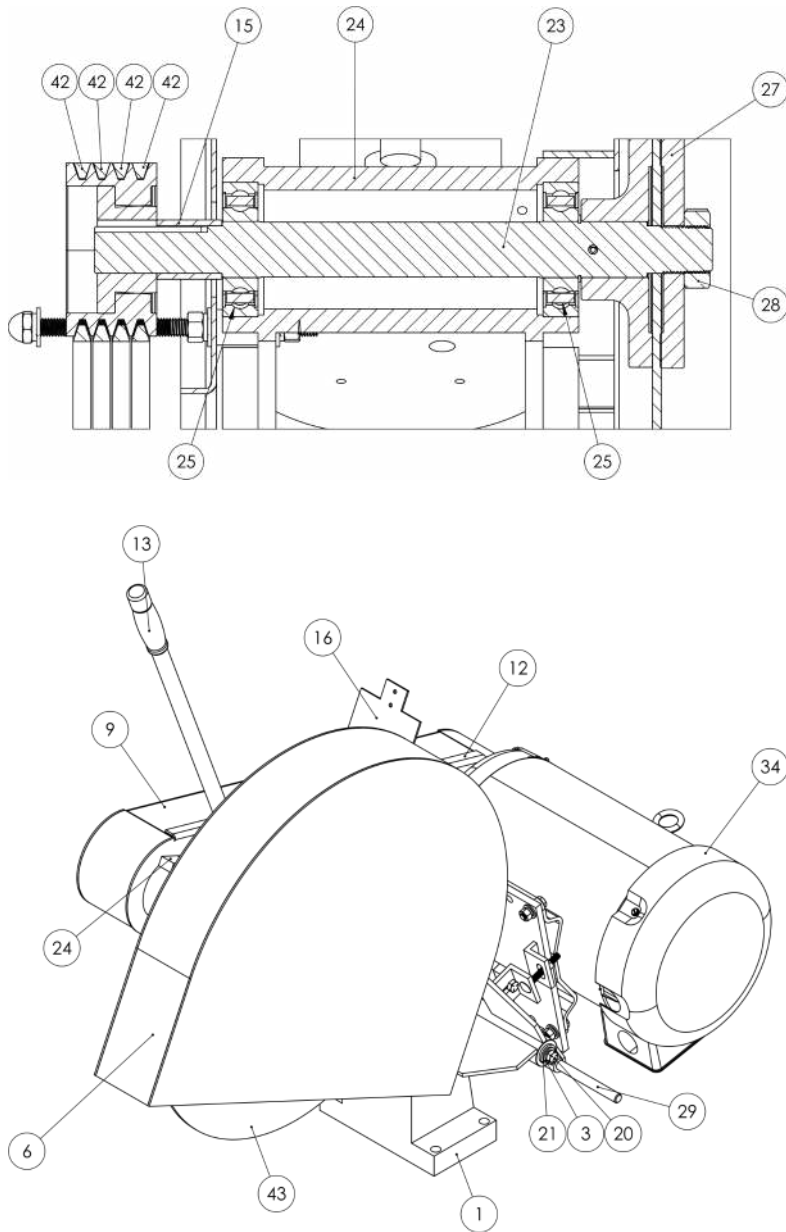


KM20AS - 15 15HP 3PH ARM ASSEMBLY

REPLACEMENT PARTS LIST



ITEM NO.	PART NUMBER	DESCRIPTION	QTY.
1	831-020	TRUNNION FOR KM20-22	1
2	SLW2037	3/8 SPLIT L/W Z	14
3	UFW2037	3/8 USS F/W Z	19
4	CPNZ037	3/8-16 CAP NUT NICKEL	2
5	FHN5037	3/8-16 FHN GR5 Z	7
6	342-112	HALF ROUND GUARD FOR K20SSF	1
7	SSKA025006	1/4-20 X 3/8 SOC SET KNURL PT.	1
8	FHN5050	1/2-13 FHN GR5 Z	1
9	342-039	OUTER GUARD, BELT FOR K16-18 AND K20SSF SAWS	1
10	RND-0.375-16X6.25	6-1/4 INCHES OF 3/8-16 THREADED ROD	1
11	RND0.375-16X5.375	5-3/8 INCHES OF 3/8-16 THREADED ROD	1
12	342-039A	GUARD, INNER BELT FOR K16-18, KM16-18, K20SSF SAWS	1
13	381-009	HANDLE WITH GRIP FOR K16-20 ABRASIVE SAW	1
14	ZERK012000	1/8-27 X 1 1/16 STRT LUBE FITTING	2
15	049-116	SPACER BUSHING FOR K20/15HP SERIES SPINDLE	1
16	041-092	SWITCH BRACKET FOR MAG SWITCH ON K20 ARM	1
17	HHC5025008	1/4-20 X 1/2 HHCS GR5 Z	2
18	SLW2025	1/4 SPLIT L/W Z	2
19	RND-0.5-13 THRD ROD X 1.75 LONG	1-3/4 INCHES OF 1/2-13 THREADED ROD	1
20	HHC5037020	3/8-16 X 1-1/4 HHCS GR5 Z	9
21	UFW2050	1/2 USS F/W Z	1
22	FJNZ050	1/2-13 F H JAM NUT Z	1
23	701-010	SPINDLE W TIGHT FLANGE FOR K16-18, K20SSF, K20E SAWS	1
24	002-005	SAW ARM FOR K16-18, KM16-18, AND K20SSF SAW	1
25	044-004	K20 SPINDLE BEARING	2
26	562-050	PIN, TRUNNION FOR K20RS	1
27	292-011	LOOSE FLANGE FOR K16-20, KM16-18, KM20-22	1
28	537-027	SPINDLE NUT FOR K16-20	1
29	486-010	MOTOR MOUNT PLATE FOR K16-20 ASSEMBLY	1
30	SSKA031006	5/16-18 X 3/8 SOC SET KNURL PT.	2
31	696-029	MOTOR PLATE TENSION SCREW FOR K16-K20 SAWS	1
32	SLW2031	5/16 SPLIT L/W Z	1
33	FHN5031	5/16-18 FHN GR5 ZINC	1
34	486-020	15HP MOTOR FOR K20SSF-15, K20SW-15, KM20-22/15, K20FS, K20E	1
35	560-046	MOTOR PULLEY SHEAVE FOR K16-18, KM16-18, K20SSF-15, KM20-22/15, KM20-22W/15 (K20SSF 7 1/2 HP), SPINDLE PULLEY SHEAVE FOR K20SW-15HP & 20HP	1
36	049-003	MOTOR PULLEY BUSHING FOR K16-18, KM16-18, K20SSF-15, K20RS-15, K20SW-15, KM20-22-15HP, KM20-22W-15 FOR K16-18, KM16-18, K20SSF-15, K20RS-15, K20SW-15, KM20-22-15HP	1
37	CRBZ031040	5/16-18 X 2-1/2 CARRIAGE BOLT Z	1
38	560-047	SPINDLE PULLEY SHEAVE FOR K16-18, KM16-18, K20SSF-15, K20RS, KM20-22/15, MOTOR PULLEY SHEAVE FOR K20SW-20HP	1
39	UFW2031	5/16 USS F/W Z	1
40	049-004	SPINDLE PULLEY BUSHING FOR K16-18, K20SSF-15HP, K20RS-15, KM16-18, KM20-22-15HP	1
41	0.75DIA X 0.875 LONG CRS	7/8 LONG OF 3/4 ROUND CR1018	1
42	051-005	V-BELT FOR K16-18, K20SSF, K20E, K20RS, K20SW, KM20AS	4
43	20 INCH WHEEL		1