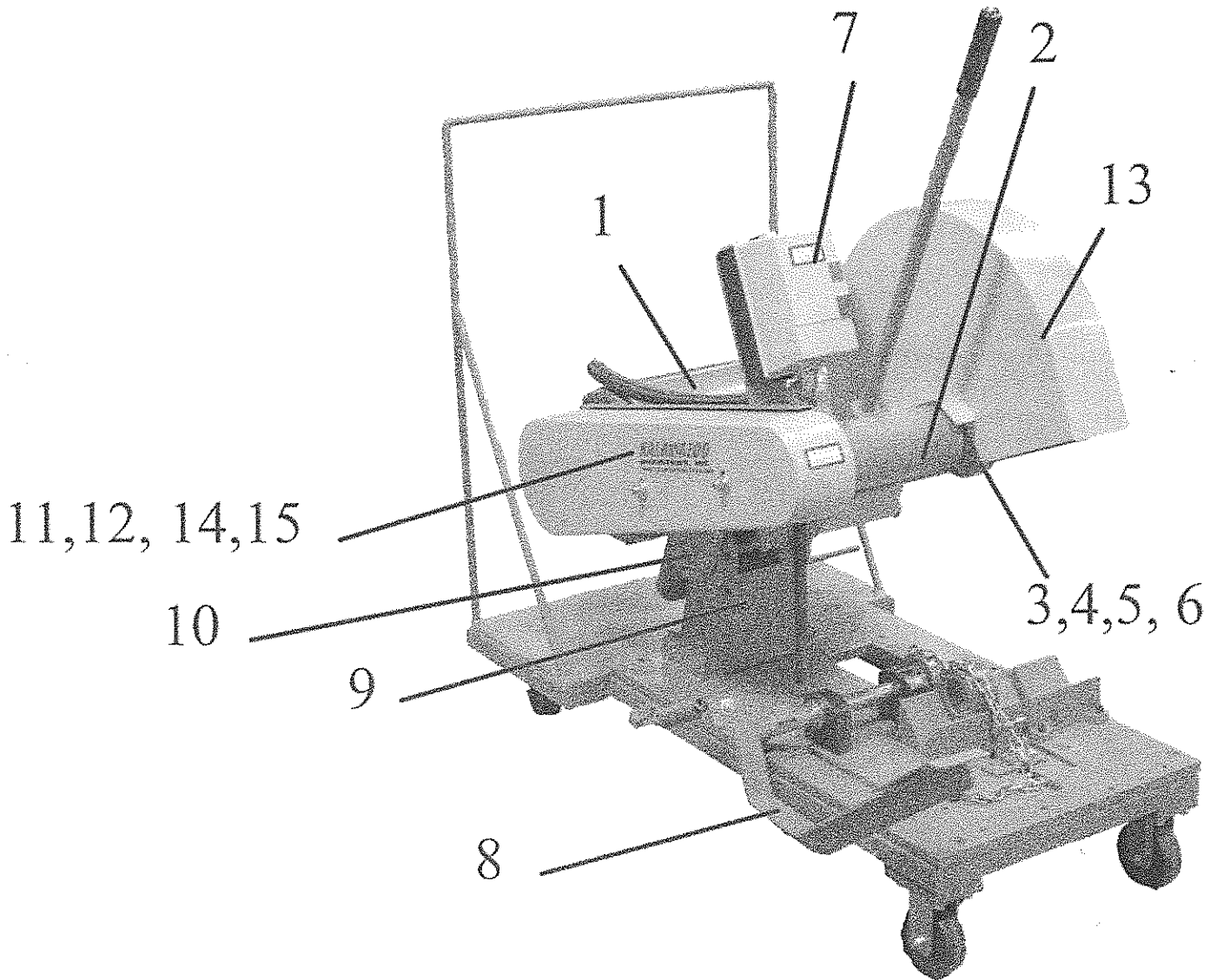


KI KALAMAZOO Industries Inc.

6856 East K Ave - Kalamazoo, MI 49048-6042
www.kalamazooind.com

Parts Lists



Parts list

Number	Part Number	Description	Quantity	
1	486-019	10HP 3PH	1	
2	002-005	Saw Arm	1	
3	701-010	Spindle w/tight flange	1	Not Shown
4	292-011	Loose flange	1	Not Shown
5	537-027	Spindle nut	1	Not Shown
6	044-001	Spindle bearings	2	Not Shown
7	710-137	440V switch	1	
7	710-138	230V switch	1	
8		Chain vise assembly	1	
9	831-021	Trunnion	1	
10	700-003	Trunnion pin	1	
11	342-039	V-belt guard	1	
12	051-005	v-belts	4	Not Shown
13		Wheel Guard	1	
14	560-046	Motor Pulley	1	Not Shown
15	560-047	Spindle Pulley	1	Not Shown

Chain Vise operation

Remove chain from clasp place part up against the fence drape chain over the part and replace chain in clasp. Place foot onto pedal and hold while cutting.