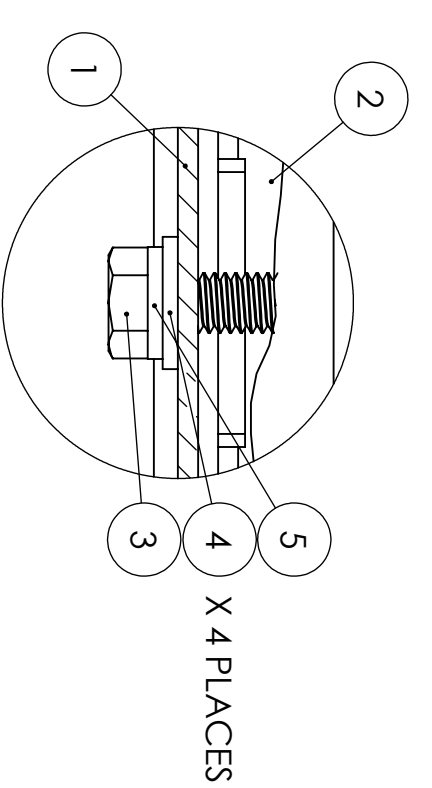
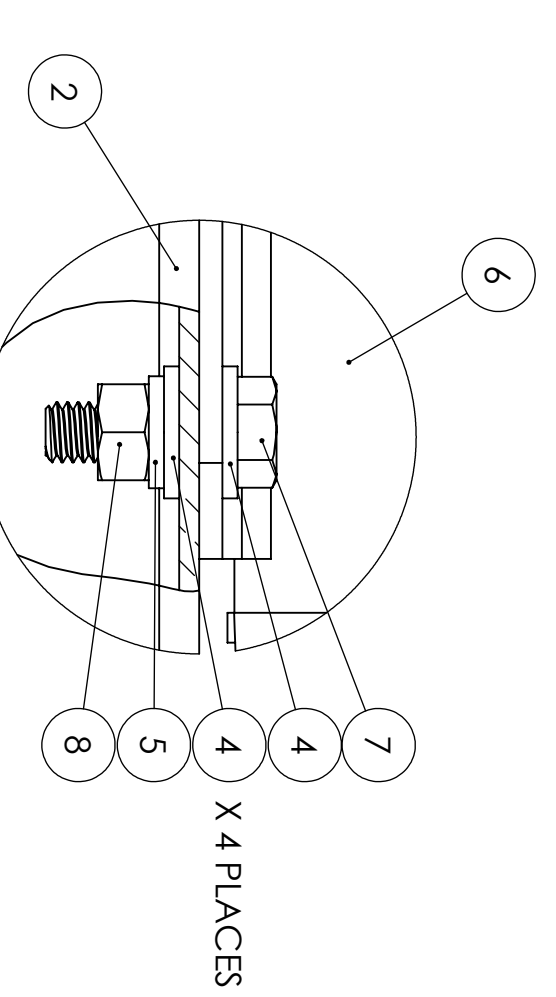


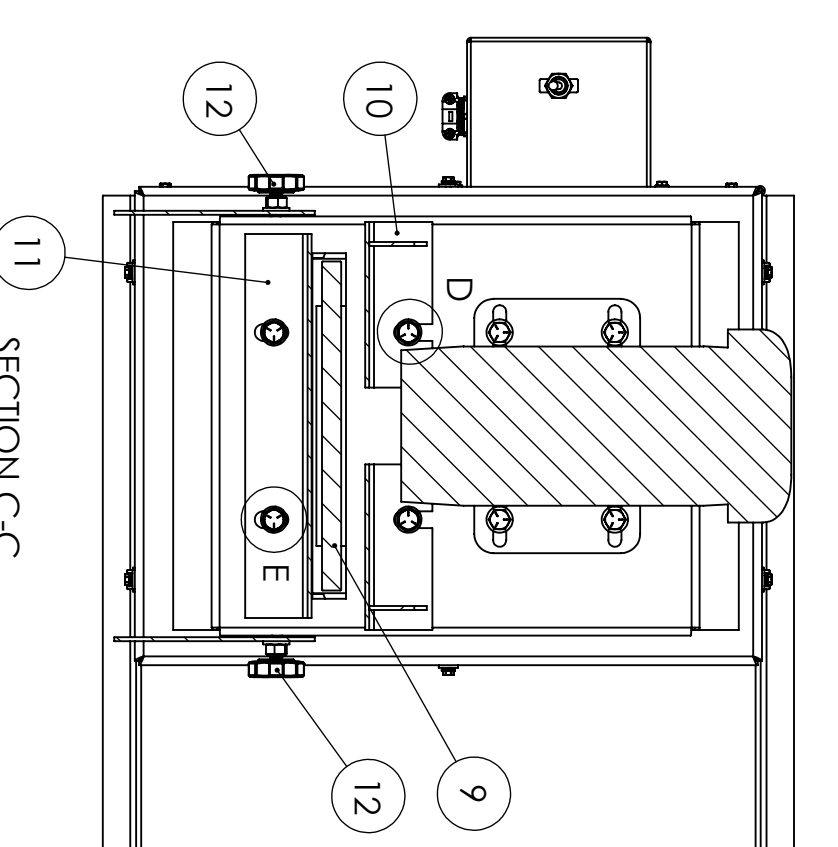
ITEM NO.	PART NUMBER	DESCRIPTION	QTY.
1	DCV-4(DS10V)	DCV-4 DUST COLLECTOR FOR DS10V APPLICATION	1
2	05D-022	BASE (SHORT) FOR DS10	1
3	HHCS031012	5/16-18 X 3/4 HHCS GR5 Z	8
4	UF-WZ031	5/16 USS F/W Z	16
5	SLWZ031	5/16 SPLIT L/W Z	12
6	486-011	1/2HP MOTOR FOR BELT AND DISC	1
7	HHCS031016	5/16-18 X 1 HHCS GR5 Z	4
8	FHNS031	5/16-18 HHN GR5 ZINC	4
9	160-001-REV1	DS10 SERIES 10" DISC HOLDER ASSEMBLY-REVISION 1	1
10	342-029	GUARD DISC FOR DS10	1
11	829-014	TAPER DRUM (L) FOR DS10/2M FOR DS10, DS10-4S, AND KNOR. FOR DS10, DS10-4S, AND DS12 WORK TABLES	1
12	441-017		2



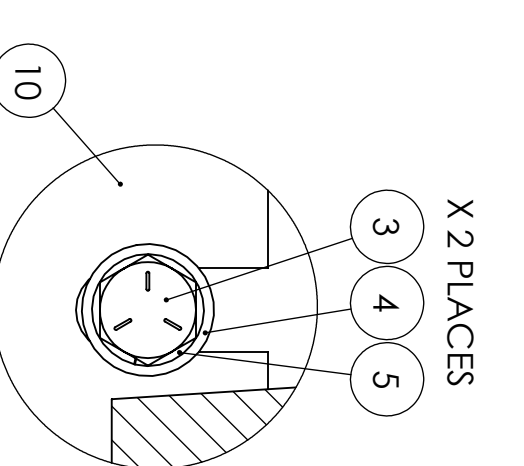
DETAIL A
SCALE: 1:1
ATTACHING BASE TO DCV-4 DUST COLLECTOR TOP



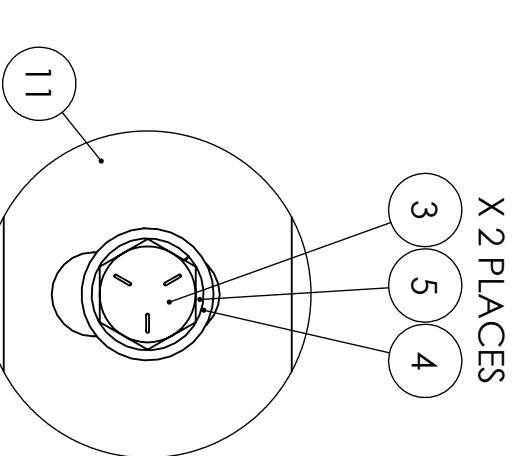
DETAIL B
SCALE: 1:1
ATTACHING MOTOR TO BASE DETAILS



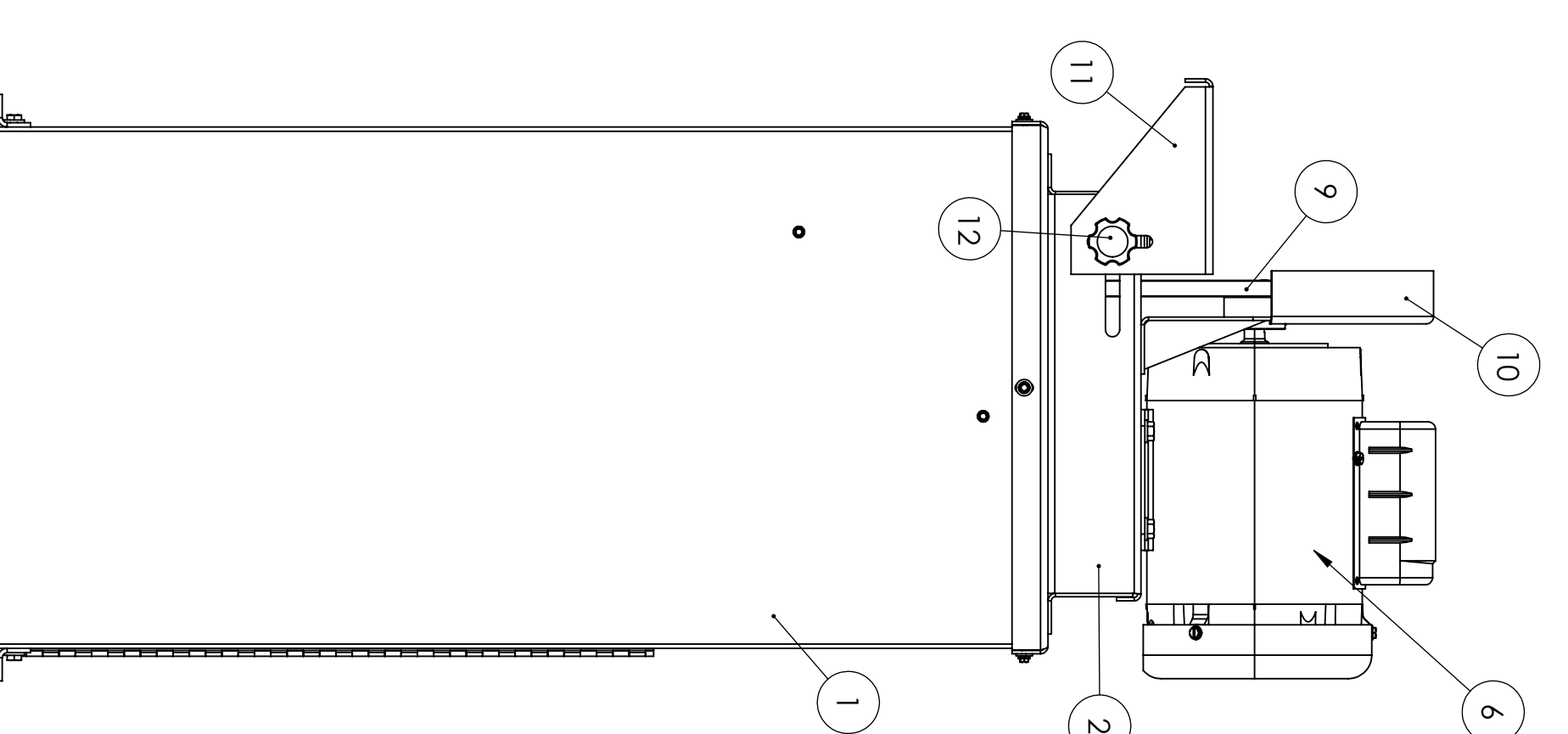
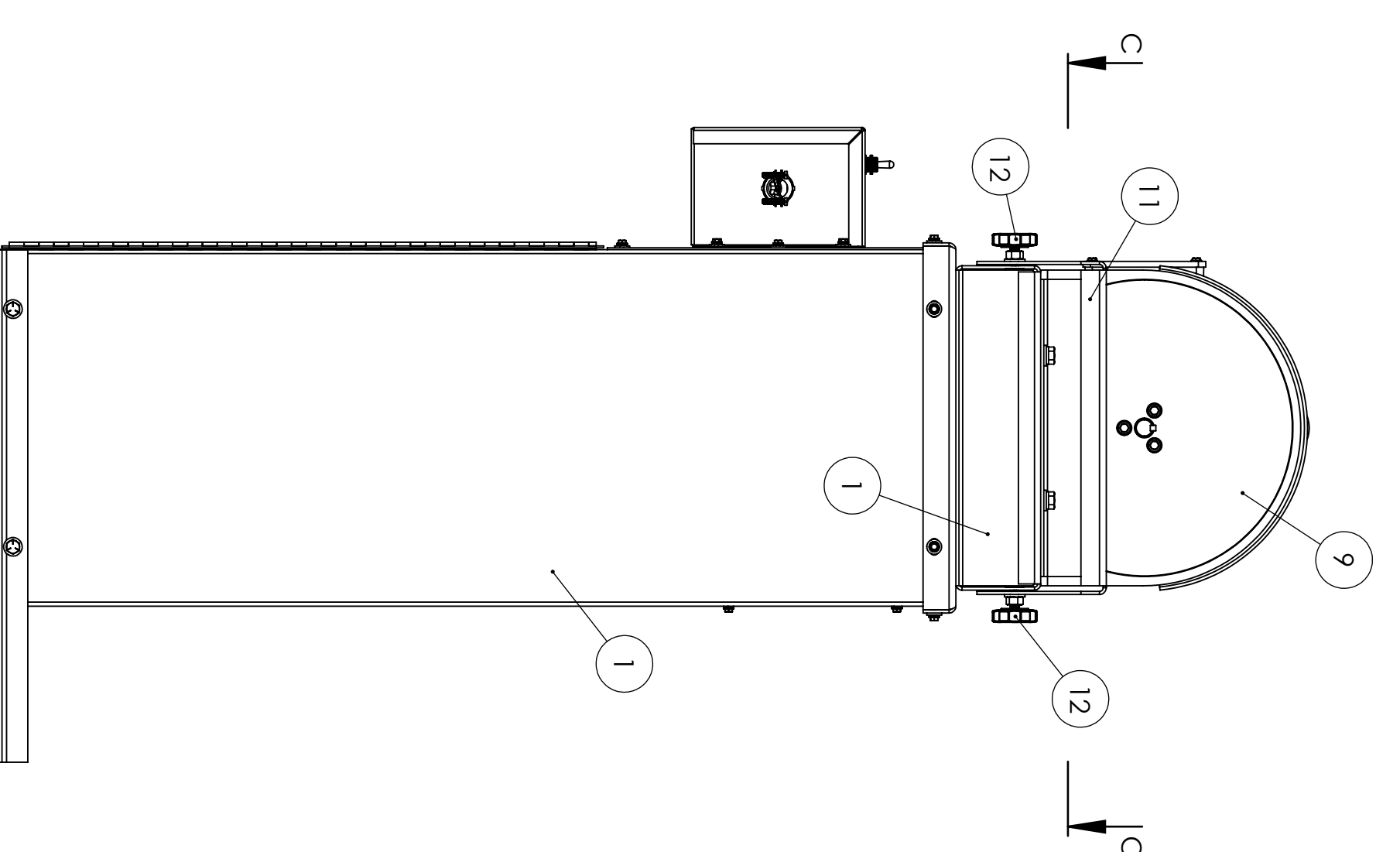
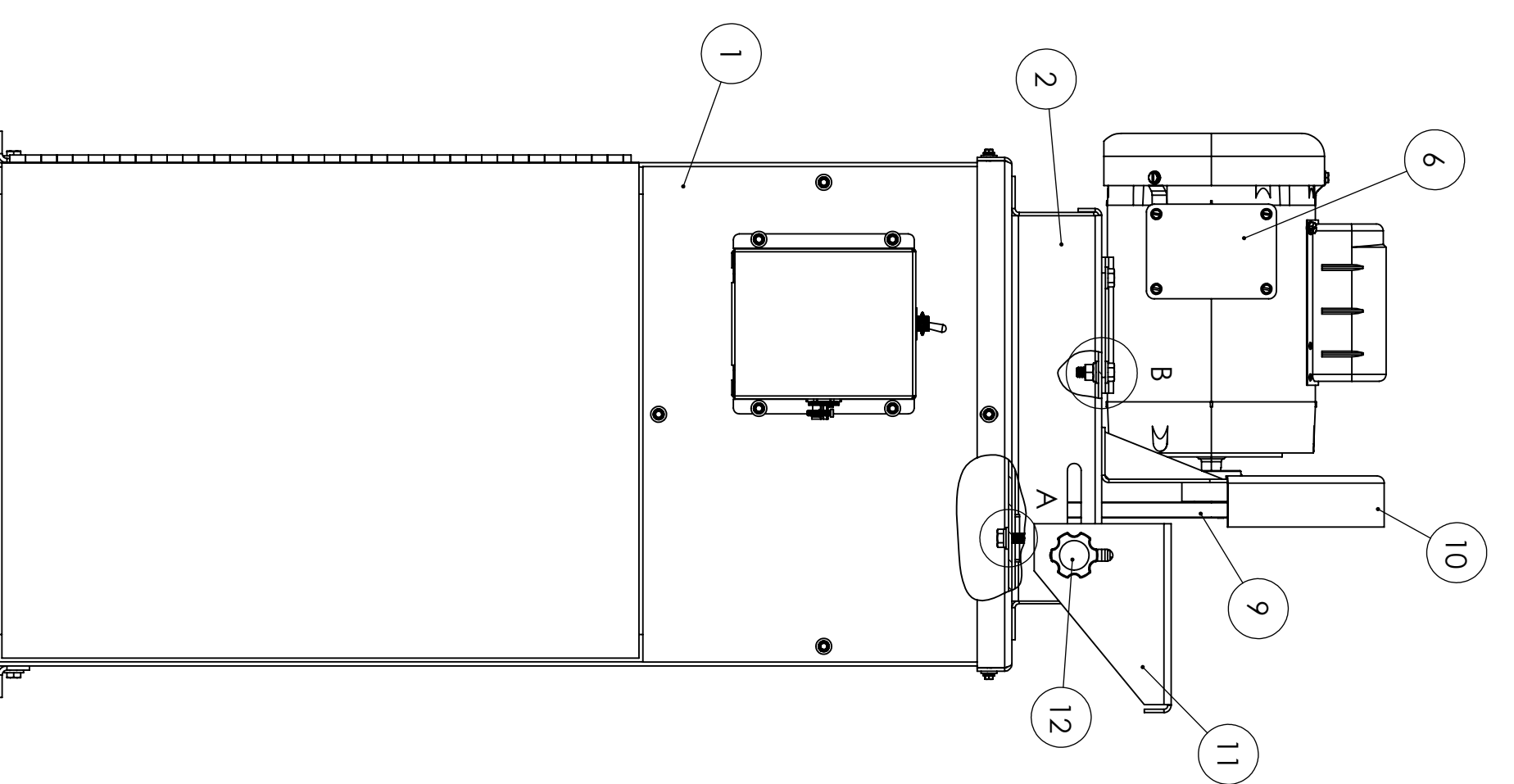
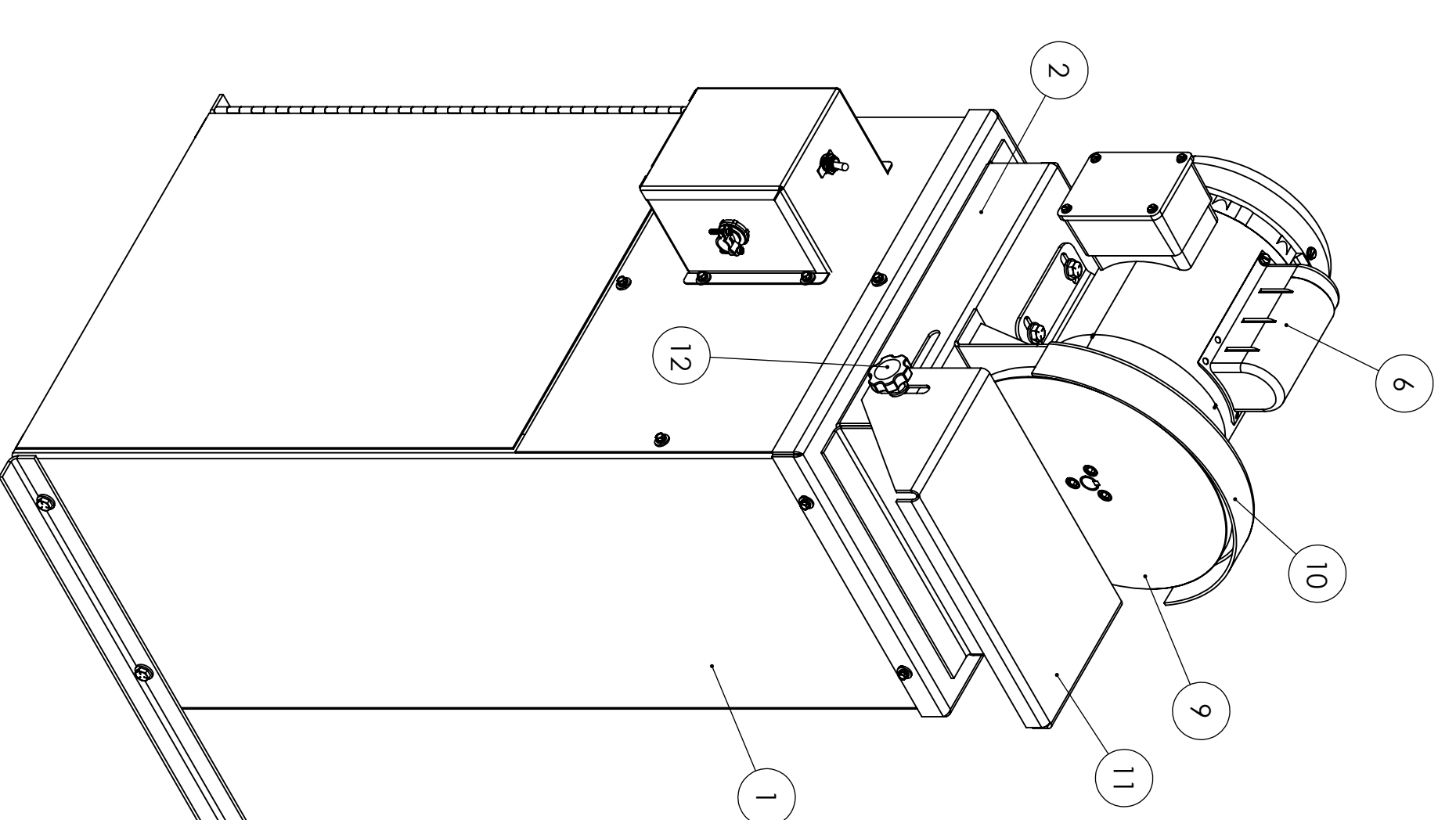
SECTION C-C



DETAIL D
SCALE: 1:1
ATTACHING DISC GUARD TO BASE DETAILS



DETAIL E
SCALE: 1:1
ATTACHING WORK TABLE TO BASE DETAILS



PLEASE CONSULT DCV-4 DRAWING FOR DUST COLLECTOR DETAILS

DATE	BY	CHKD	APP'D	DESCRIPTION

REV	DATE	BY	CHKD	DESCRIPTION
E				REV
D				REV
C				REV
B				REV
A				REV

DESIGNED BY	DATE	SCALE	1:5
DRAWN BY			
CHECKED BY			
APPROVED BY			

TITLE	DS10 DISC SANDER W
DESCRIPTION	DCV-4 DUST COLLECTOR
SCALE	1:5
WEIGHT	
SHEET	1 OF 1

PLEASE CONSULT DCV-4 DRAWING FOR DUST COLLECTOR DETAILS

