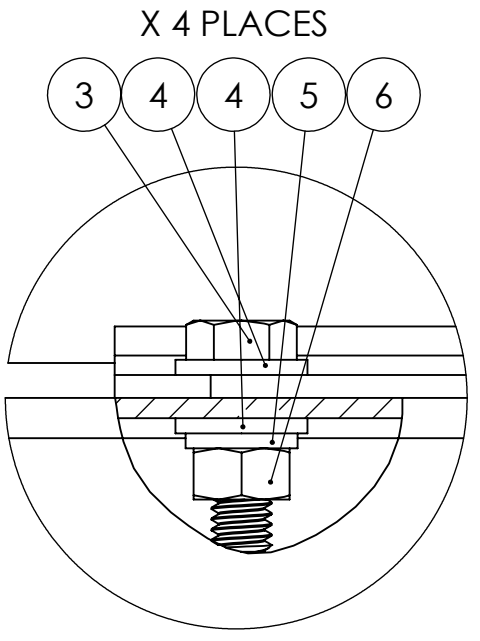
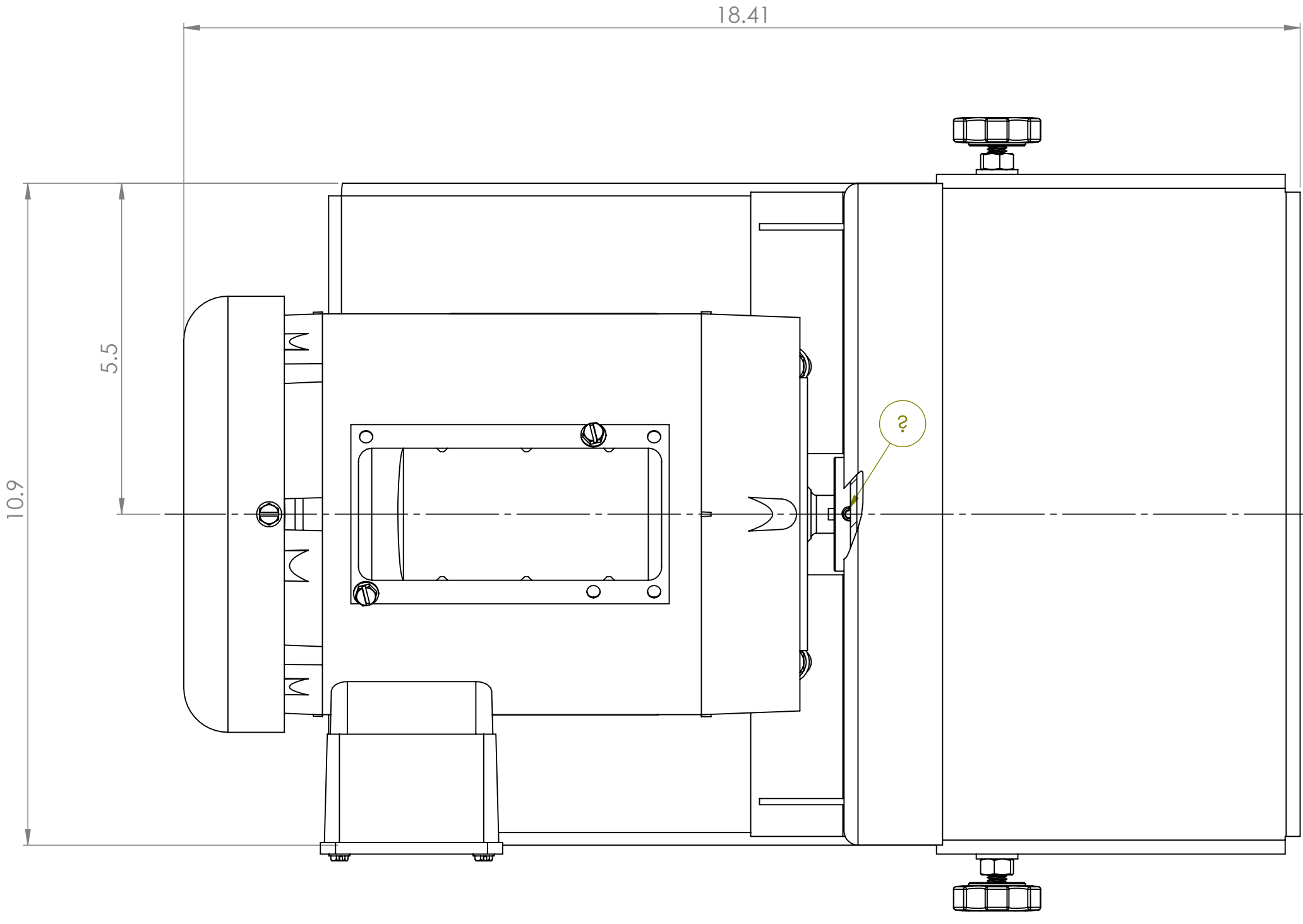
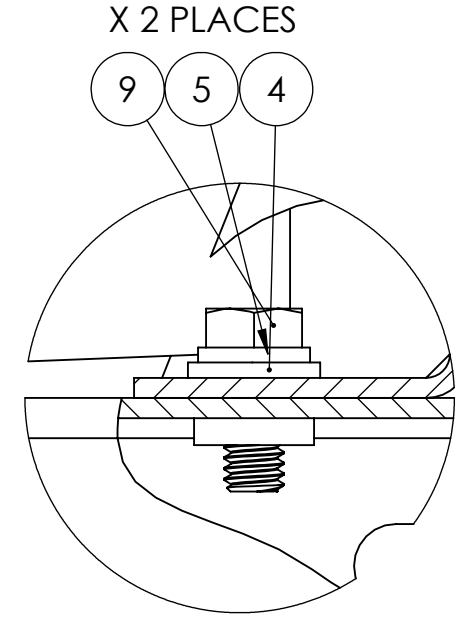


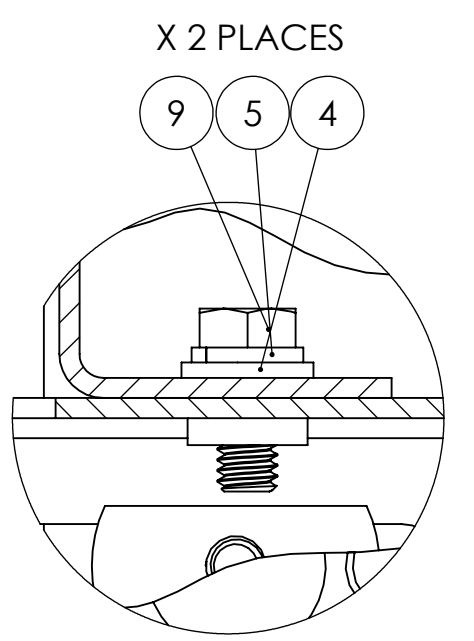
ITEM NO.	PART NUMBER	DESCRIPTION	QTY.
1	050-022	BASE (SHORT) FOR DS10	1
2	486-011	1/2HP MOTOR FOR BELT AND DISC	1
3	HHC5031016	5/16-18 X 1 HHCS GR5 Z	4
4	UFW2031	5/16 USS F/W Z	12
5	SLW2031	5/16 SPLIT L/W Z	8
6	FHN5031	5/16-18 FHN GR5 ZINC	4
7	160-001-REV1	DS10 SERIES 10" DISC HOLDER ASSEMBLY-REVISION 1	1
8	342-029	GUARD, DISC FOR DS10	1
9	HHC5031012	5/16-18 X 3/4 HHCS GR5 Z	4
10	829-014	TABLE, WORK (DISC SANDER) FOR DS10, DS10-4 AND DS10-2M	1
11	441-017	KNOB, FOR DS10, DS10-4S, AND DS12 WORK TABLES	2



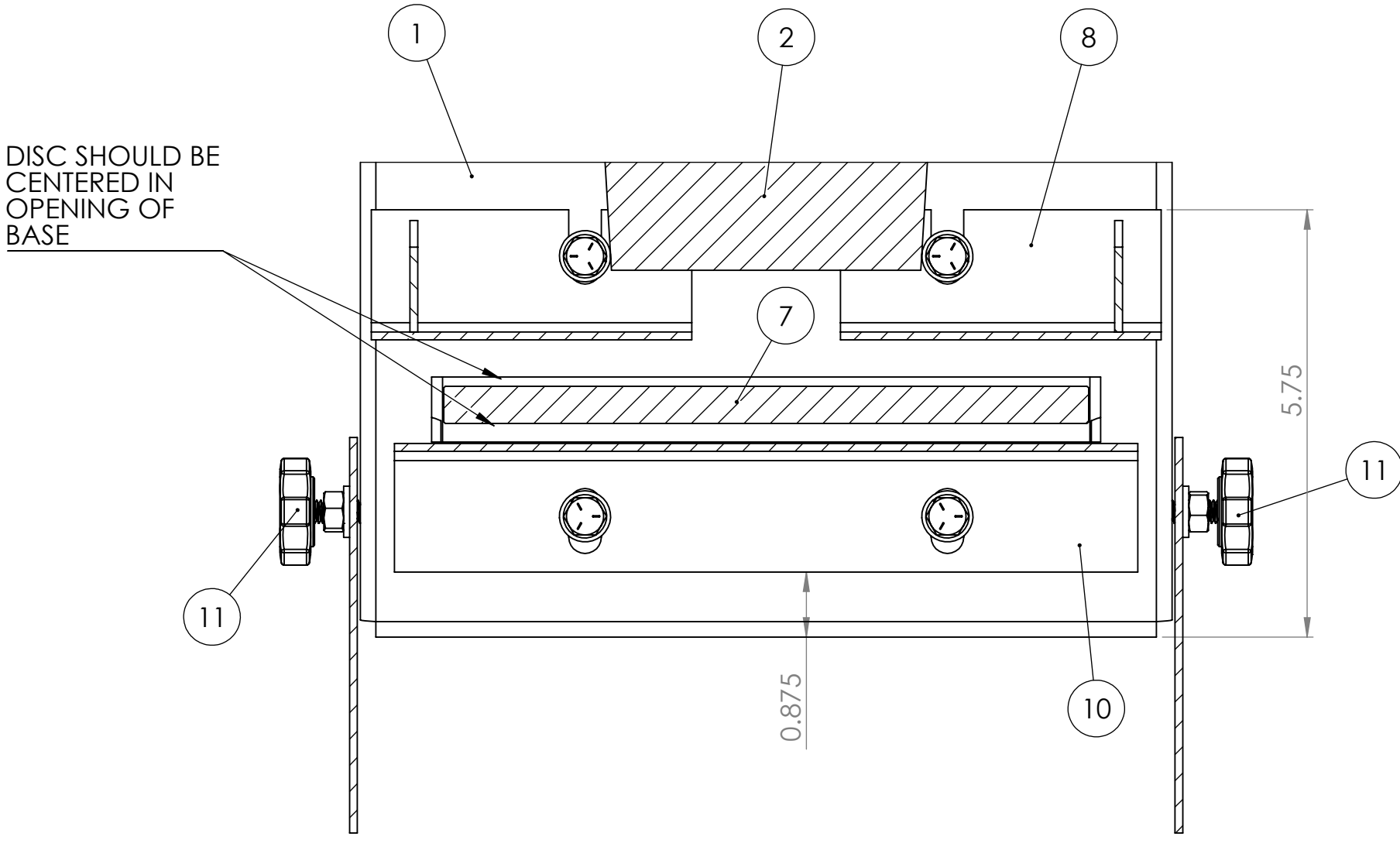
DETAIL A  
SCALE 1 : 1  
MOTOR FASTENER DETAILS



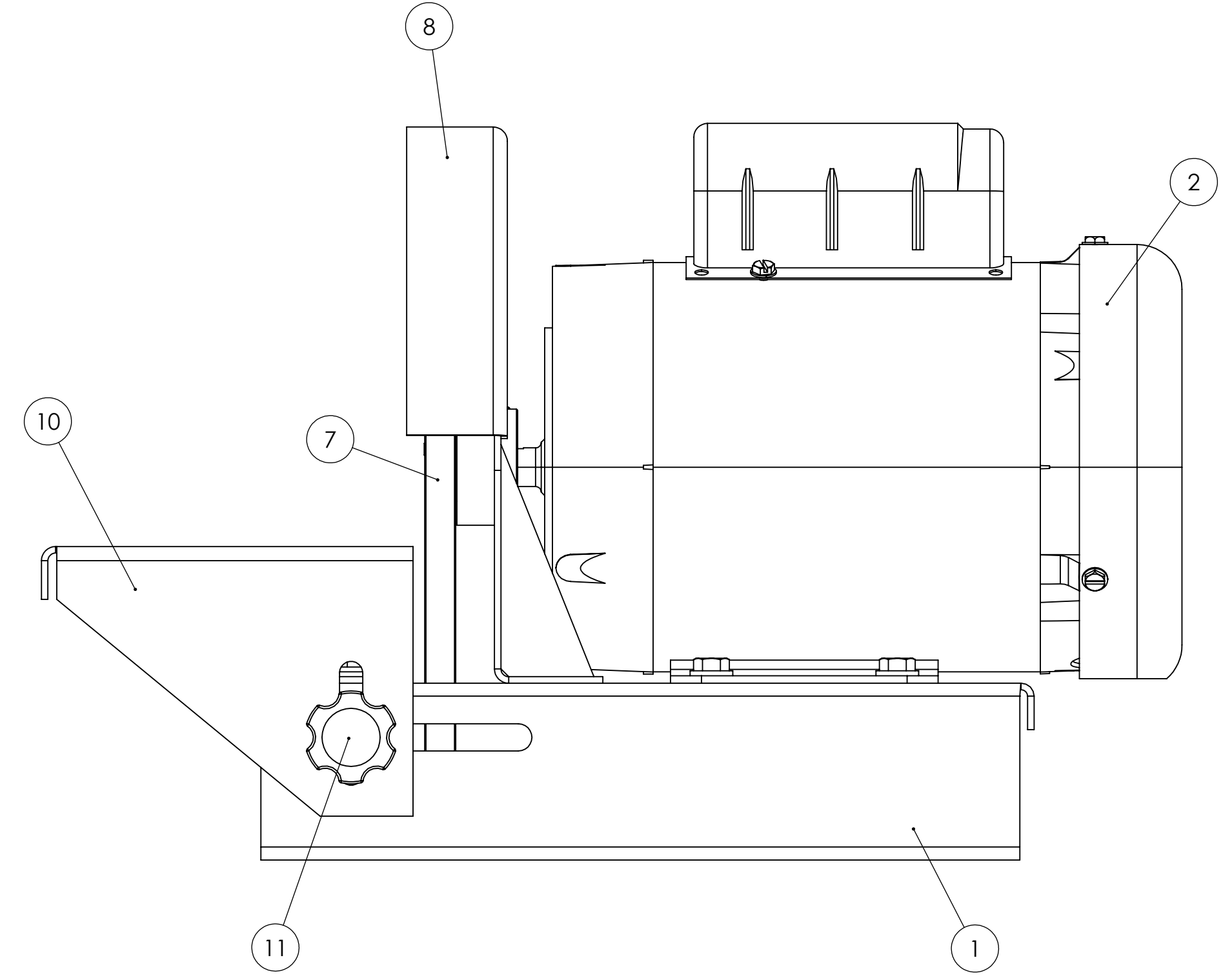
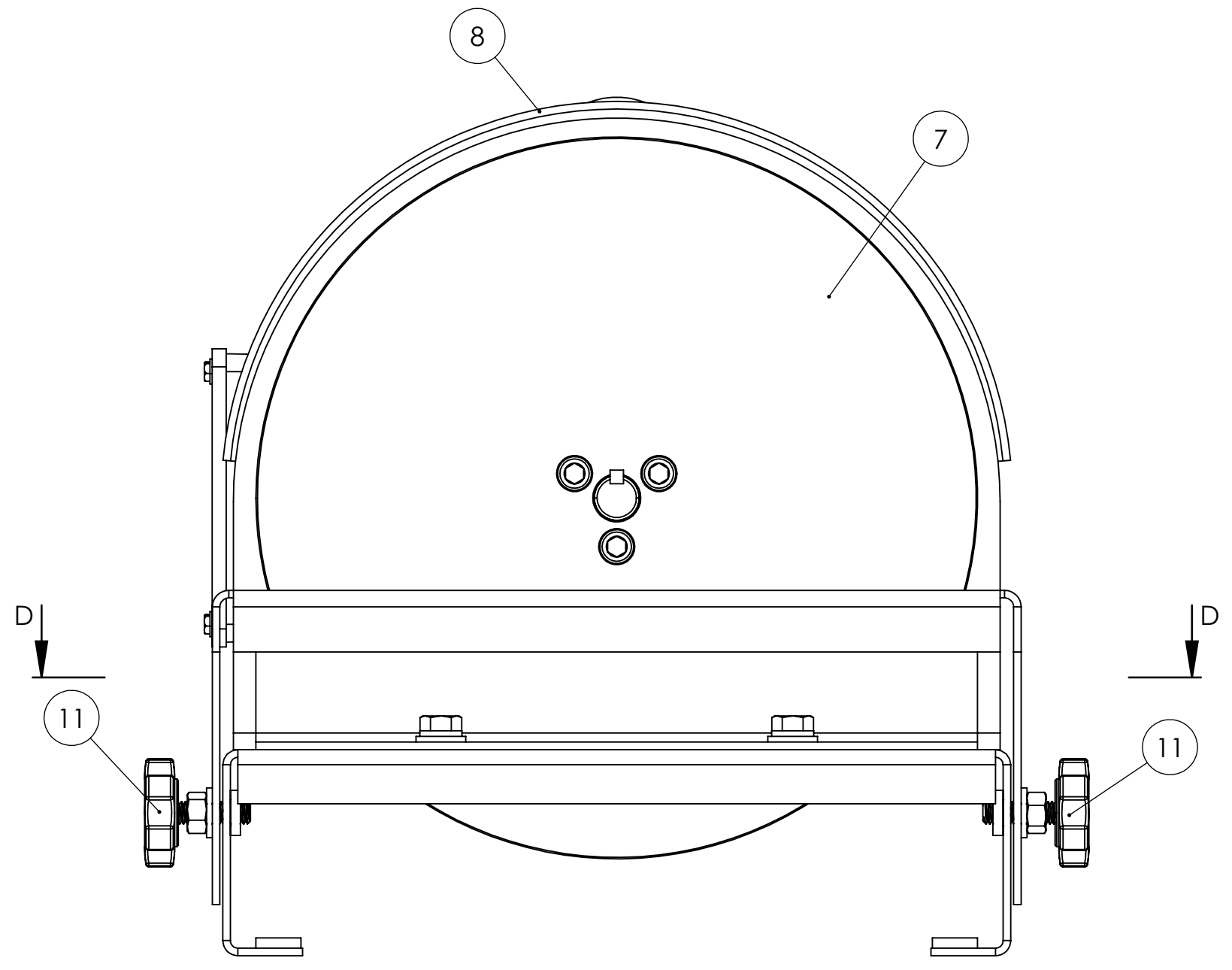
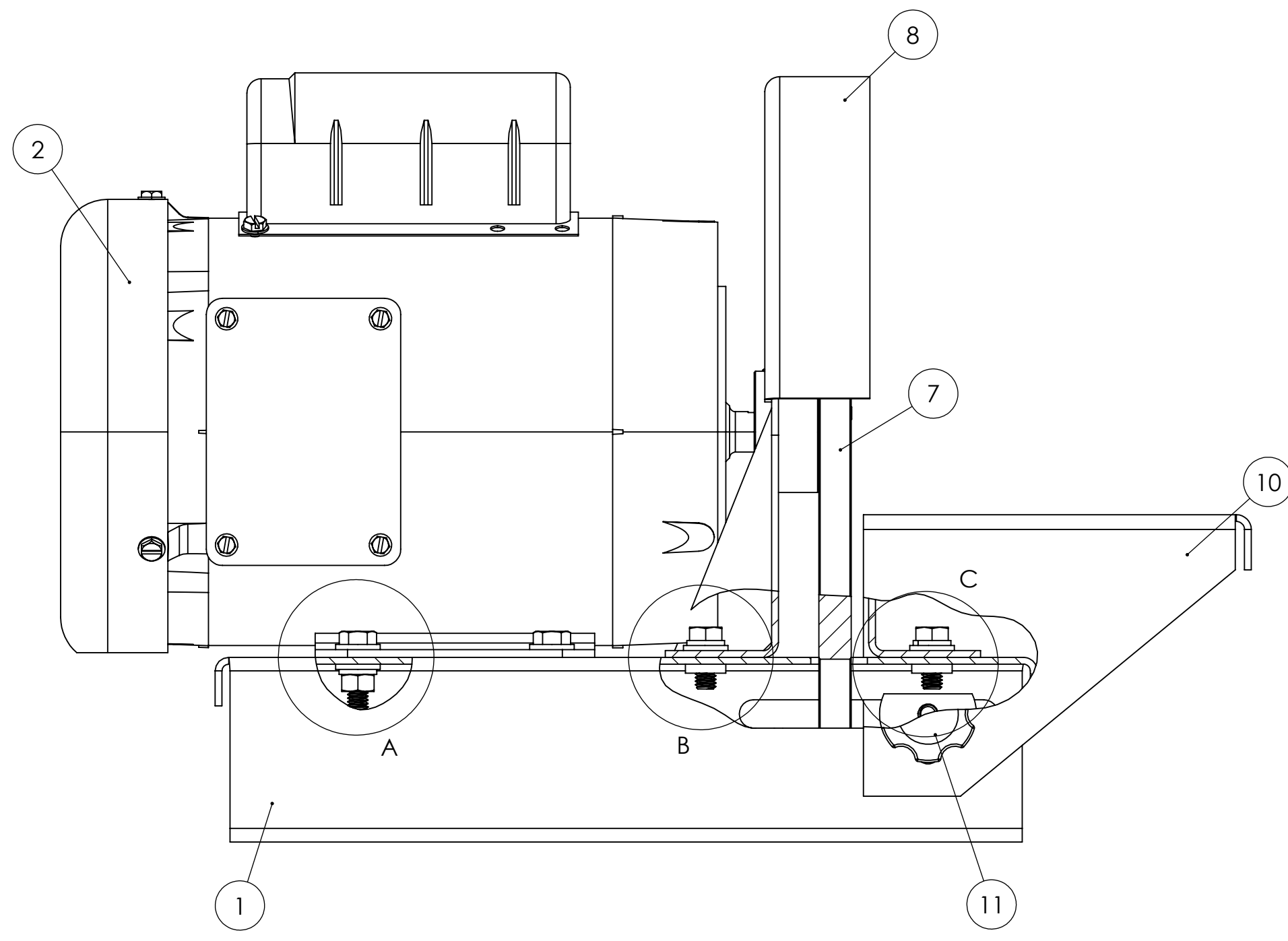
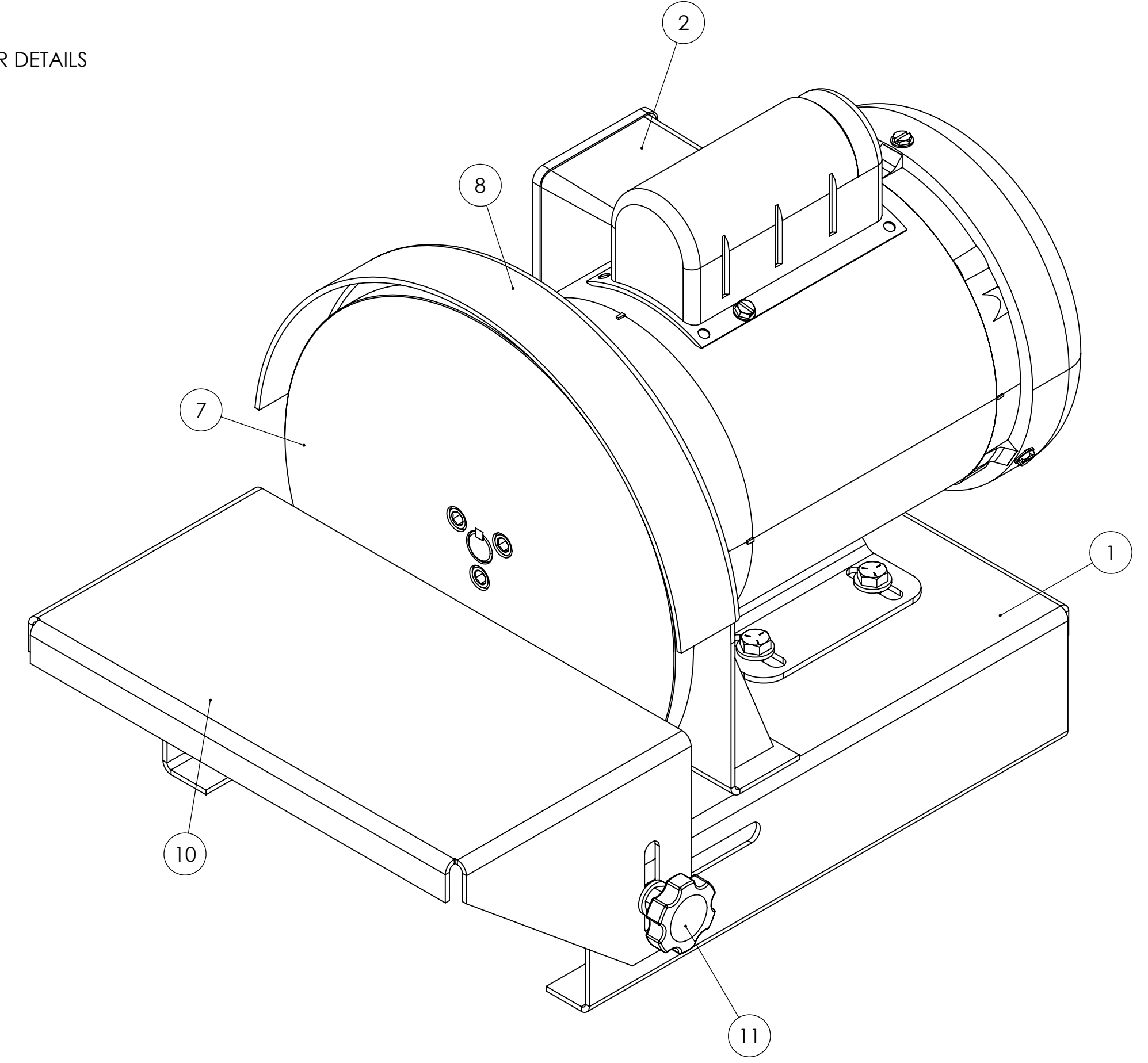
DETAIL B  
SCALE 1 : 1  
DISC GUARD FASTENER DETAILS



DETAIL C  
SCALE 1 : 1  
WORK TABLE FASTENER DETAILS



SECTION D-D  
LAYOUT OF DISC GUARD  
AND WORK TABLE



PROPRIETARY AND CONFIDENTIAL  
THE INFORMATION CONTAINED IN THIS DRAWING IS THE SOLE PROPERTY OF KALAMAZOO TOOL COMPANY. ANY REPRODUCTION IN PART OR AS A WHOLE WITHOUT THE WRITTEN PERMISSION OF KALAMAZOO TOOL COMPANY IS PROHIBITED.

UNLESS OTHERWISE SPECIFIED:	NAME	DATE
DIMENSIONS ARE IN INCHES	DRAWN BY	
TOLERANCES:	CHECKED	
FRACTIONS 1/8	ENG APPR	
ANGULAR 30/60/45/90	AVG APPR	
PROFILES DECIMAL 1	D.A.	
THREE PLACE DECIMAL 2	COMMENTS:	
INTERFERENCE GEOMETRIC TOLERANCES FIT		
MATERIAL:		
FINISH:		
APPLICATION:		
USED ON:		
DO NOT SCALE DRAWING		

**KALAMAZOO**  
**10 INCH DISC SANDER**  
**DS10**  
 SCALE: 1:2 WEIGHT: SHEET 1 OF 1