



Instruction Manual

DCV-4

Industrial Multi-Purpose Dust Collector

Kalamazoo Industries, Inc.

6856 E K Ave • Kalamazoo, Michigan 49048

1-800-592-2050 • www.kalamazoind.com

Made in the USA • Est. 1960

1. Introduction

This manual must be read entirety prior to installation, commissioning, or operation of the equipment. Thorough familiarity with the unit's capabilities, safety requirements, and prescribed maintenance procedures are essential to safe operation and optimal performance.

CAUTION:

The DCV-4 is designed for collecting dust, chips, and light debris generated by compatible Kalamazoo Industries belt sanders and disc sanders. Do not use the unit to collect liquids, hot materials, explosive dust, or hazardous substances. Always verify that the filter and debris tray are properly installed before operation.

WARNING:

TO REDUCE THE RISK OF FIRE, ELECTRIC SHOCK, OR PERSONAL INJURY, ALL SAFETY INSTRUCTIONS MUST BE READ AND UNDERSTOOD BEFORE OPERATING THIS EQUIPMENT. Non-compliance may result in serious injury or death.

2. Safety Information

2.1 General Safety Precautions

- Wear approved eye protection and task-appropriate respiratory protection whenever material or dust conditions require it.
- Keep the work area clean, dry, organized, and adequately always illuminated.
- Do not operate this equipment while fatigued or under the influence of drugs, alcohol, or medication that may impair judgment or reaction time.
- Disconnect power before performing filter changes, maintenance, adjustments, or service work.
- Never operate the dust collector without the filter and debris tray properly installed.
- Do not leave the machine running unattended for extended periods.
- Keep unauthorized personnel clear of the operating area.
- Do not use the dust collector to pick up liquids, hot embers, or smoldering materials.
- Ensure the dust collector is placed on a stable, level surface during operation.
- **Do not mix materials**

2.2 Electrical Safety

- The machine must be properly grounded in accordance with applicable electrical codes and facility practices.
- Confirm that the supply voltage matches the machine nameplate (115V, 1PH, 60Hz) before operation.
- All electrical installation and repair work must be performed by qualified personnel.
- Do not operate the machine if wiring, switches, or electrical components show signs of damage or overheating.
- Always use a properly rated outlet. Do not use extension cords unless they meet the required amperage rating (minimum 10A)

3. Installation and Setup

- Position the dust collector on a level, stable surface near the sander or workstation it will serve.
- Ensure adequate clearance around the unit for airflow and filter access
- Confirm the electrical supply matches the nameplate rating: 115V, single phase, 60Hz.
- Connect the dust collector to the compatible sander using the appropriate top adapter. Different tops are required for the 1SM, 2FSM, S4S, and DS10 models.
- Verify that the access door is fully closed and latched before operation.

4. Operating Instructions

- Verify that the filter is clean and the debris tray is empty or has adequate capacity before starting.
- Confirm the dust collector is properly connected to the sander or workstation.
- Plug the unit into a properly grounded 115V outlet.
- Turn the power switch to the ON position. Allow the motor to reach full operating speed.
- When finished, turn the power switch to the OFF position and allow the motor to stop completely.
- Empty the debris tray regularly to maintain airflow efficiency. Open the access door for clean-out as needed.
- Inspect the filter after each use. Replace the filter when it becomes clogged or damaged (**replacement filter part number: 5X878**).

The DCV-4 is compatible with the following Kalamazoo Industries sanders: 1SM (1" x 42" belt sander), 2FSM (2" x 48" belt sander), S4S (4" x 36" belt sander), and DS10 (10" disc sander). The unit may also be used as a stand-alone vacuum for general shop cleaning purposes

8. Warranty Information

8.1 Warranty Coverage

All parts are warranted for one year from the original date of purchase to the original purchaser. This warranty covers the replacement of parts found to be defective in material or workmanship under normal use. Some exclusions may apply.

Warranty Exclusions

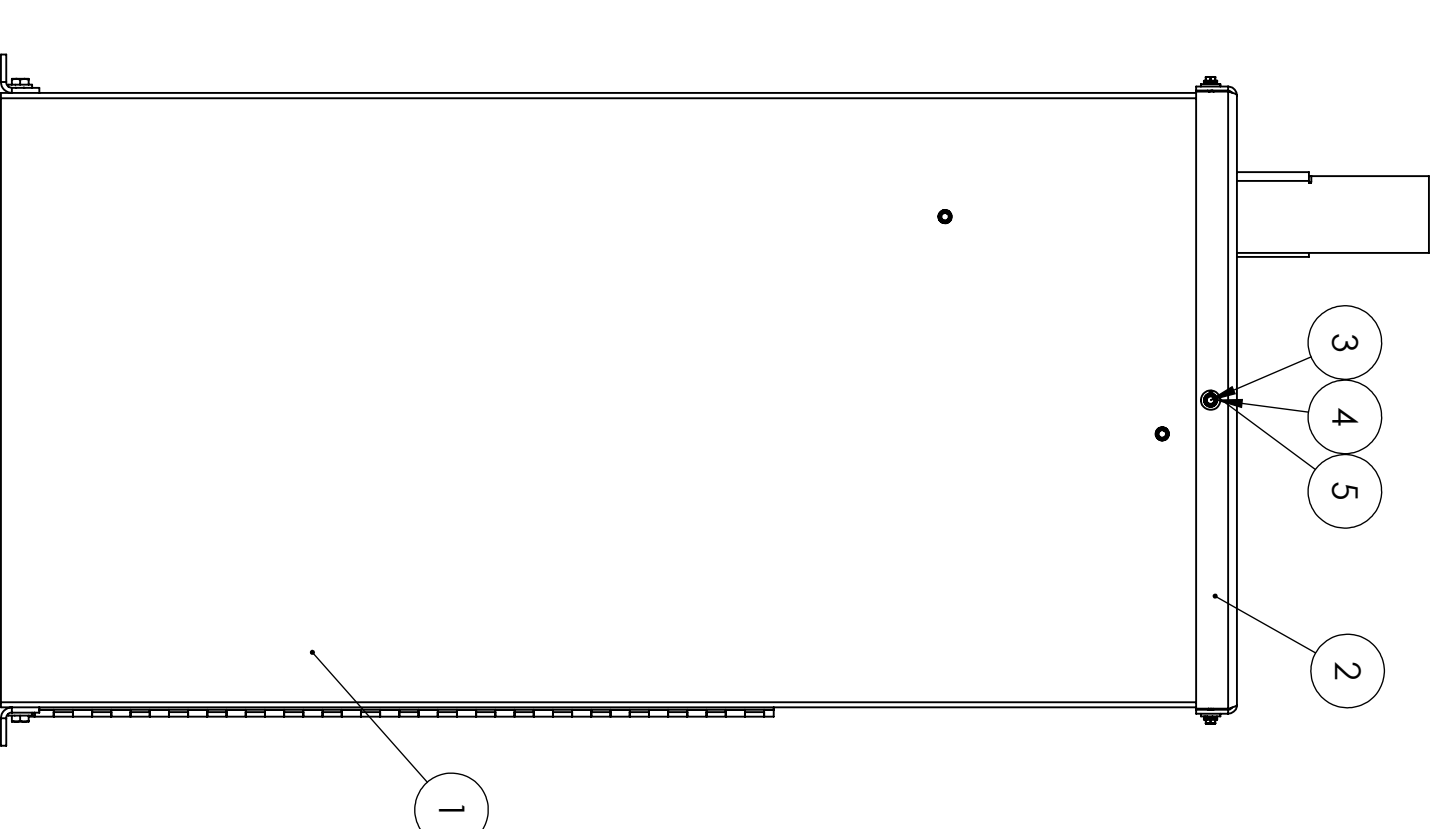
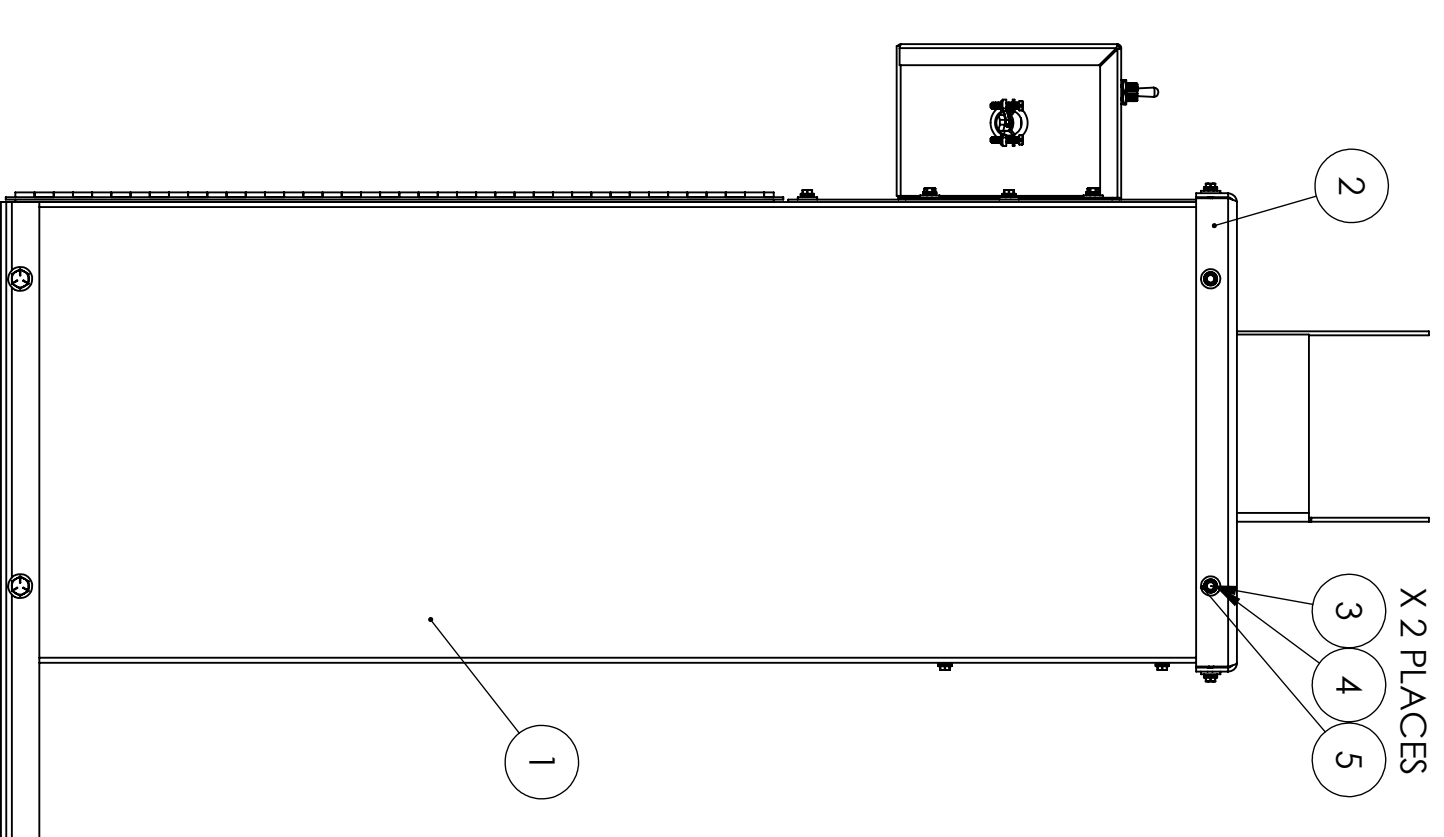
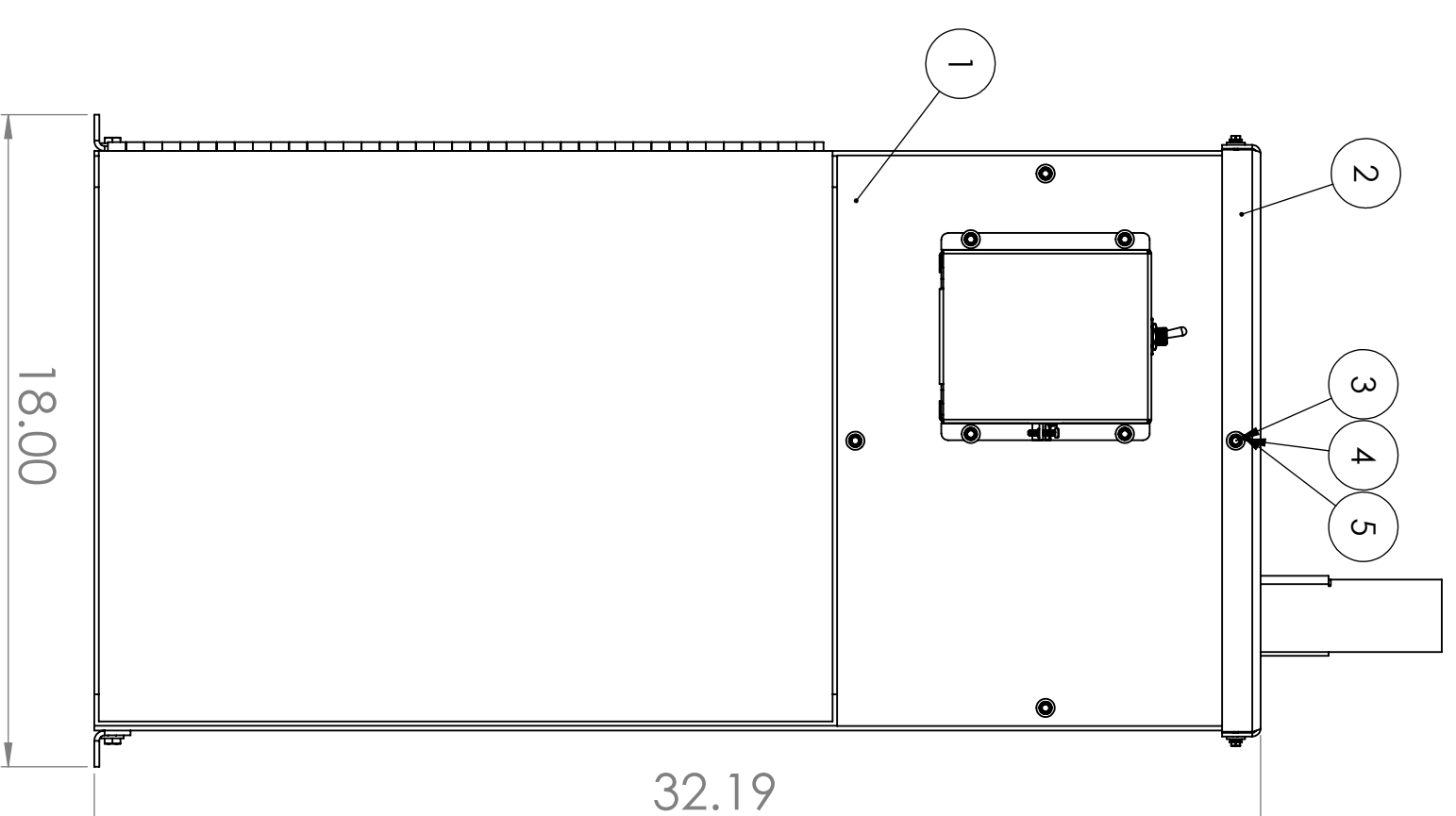
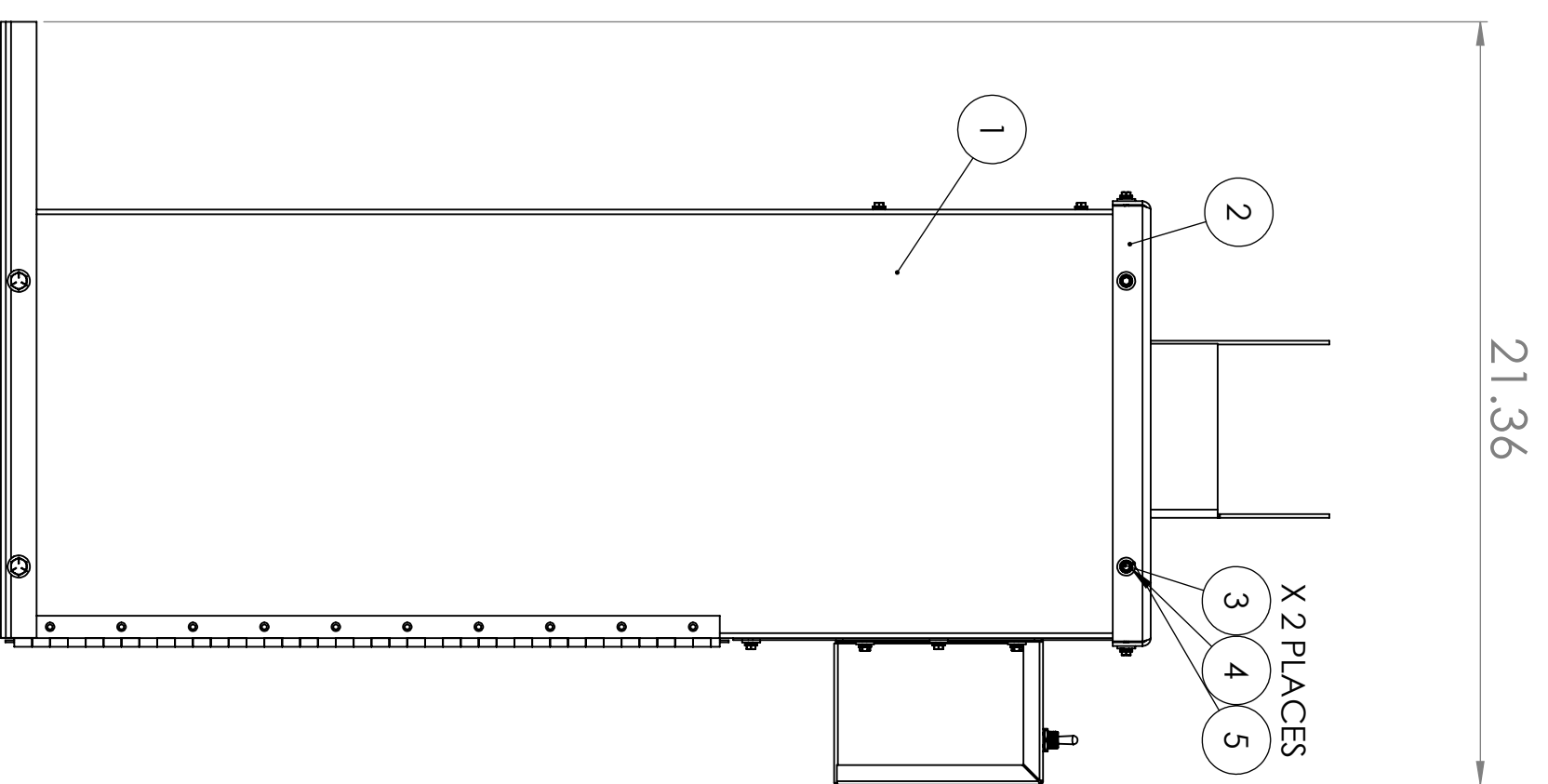
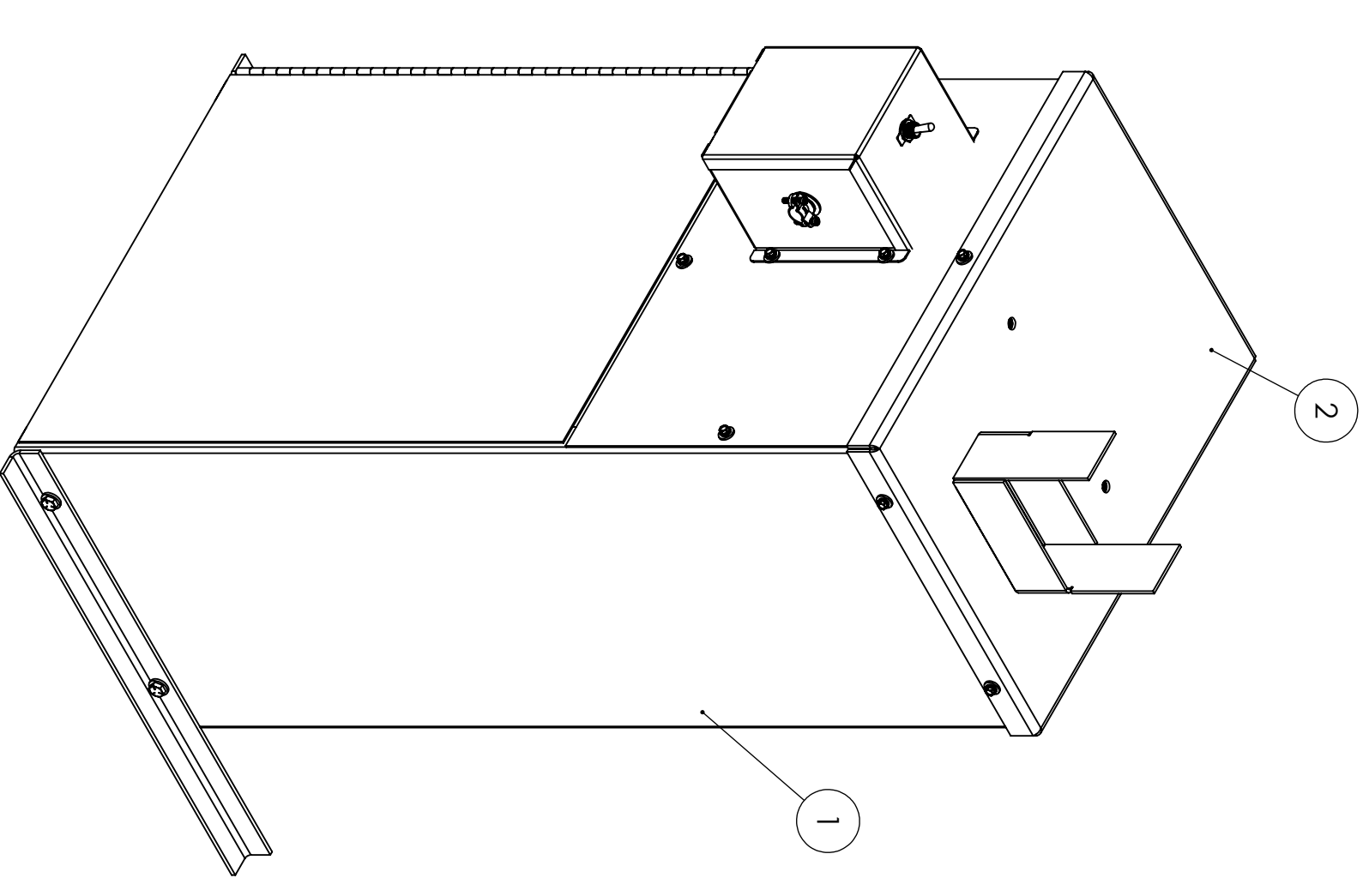
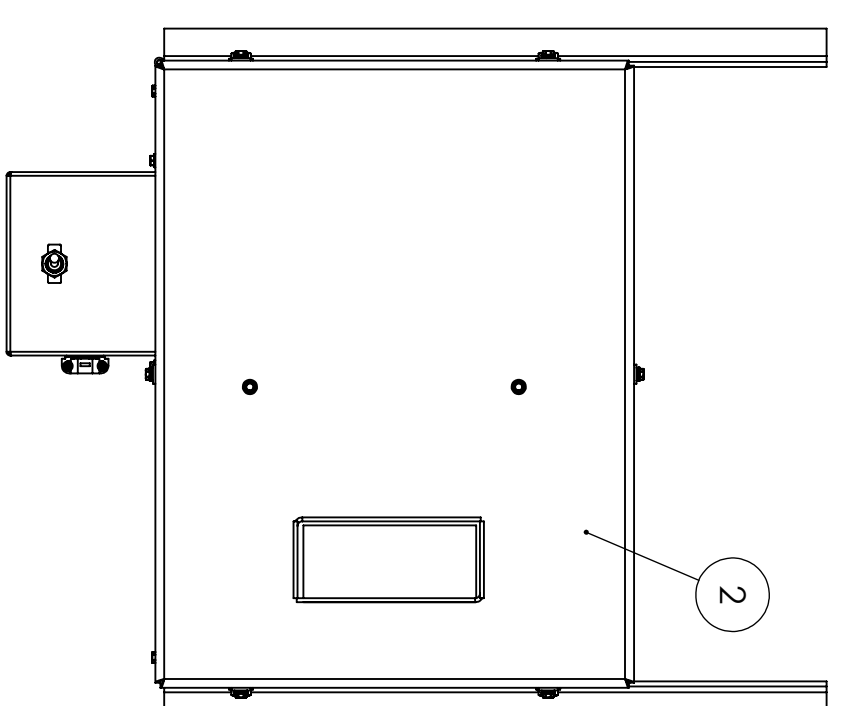
This warranty does not cover:

- Normal wear items including filters, bags, and motor brushes.
- Damage resulting from misuse, abuse, or improper maintenance.
- Damage from collecting inappropriate materials (liquids, hot debris, hazardous substances).
- Modifications or alterations to the machine.
- Damage caused by improper electrical connection or voltage supply.
- Labor or installation costs.

8.2 Return Authorization

A Return Authorization (RA) number must be obtained before returning merchandise. Contact Customer Service at 1-800-592-2050 prior to return shipment. Return shipping costs are the responsibility of the customer. Credit issued upon inspection, and a restocking fee may apply in accordance with current company policy.

ITEM NO.	PART NUMBER	DESCRIPTION	QTY.
1	124-001	CABINET, VACUUM FOR DCV-4	1
2	833-004	TOP CABINET FOR DCV-4 VACUUM (ISMV SANDER MOUNT)	1
3	HWI2008008	#8 X 1/2 HWH TEKS Z	6
4	SLWZ010	#10 SPLIT L/W Z	6
5	MSWZ010	#10 M.S. F/W Z	6



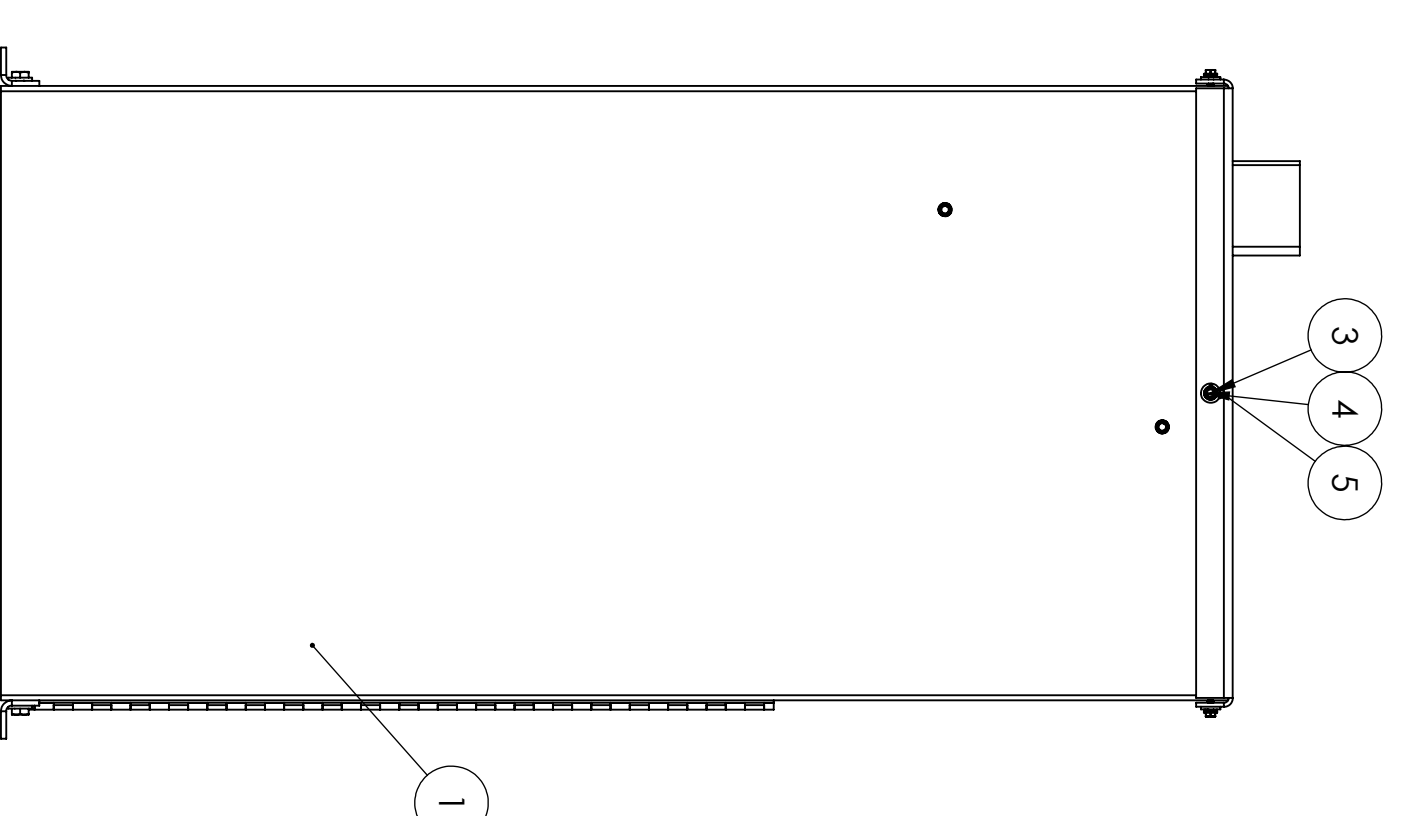
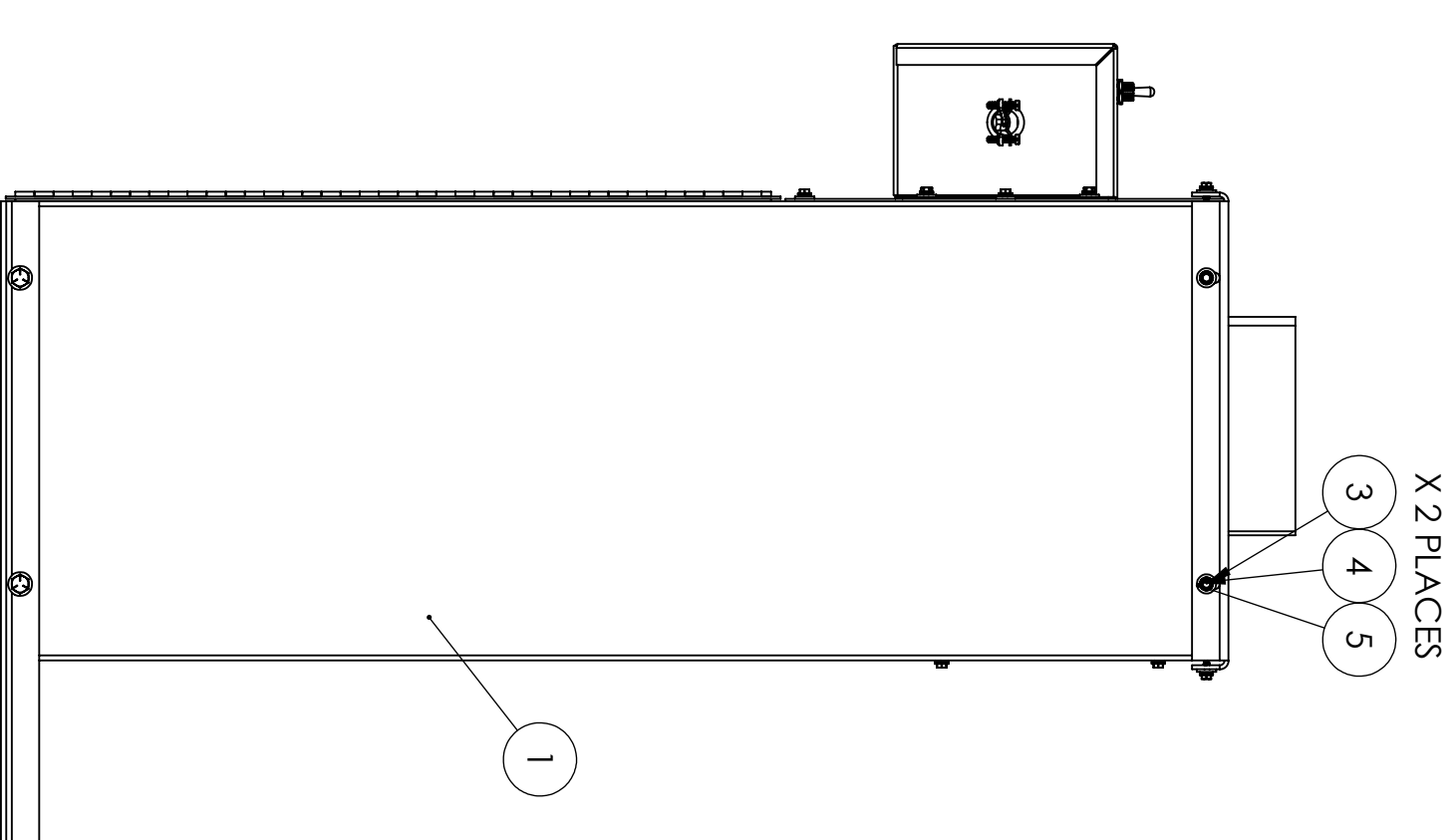
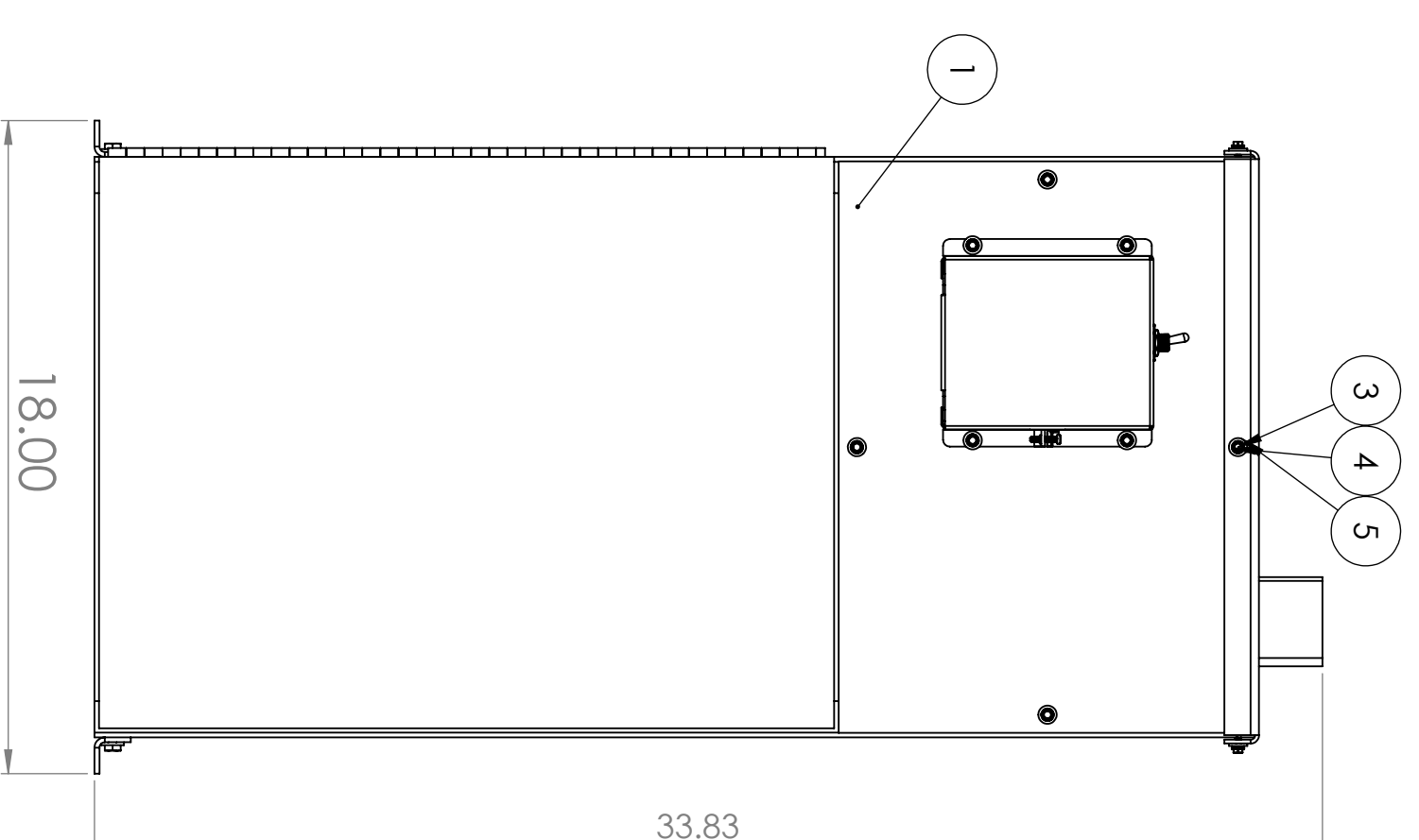
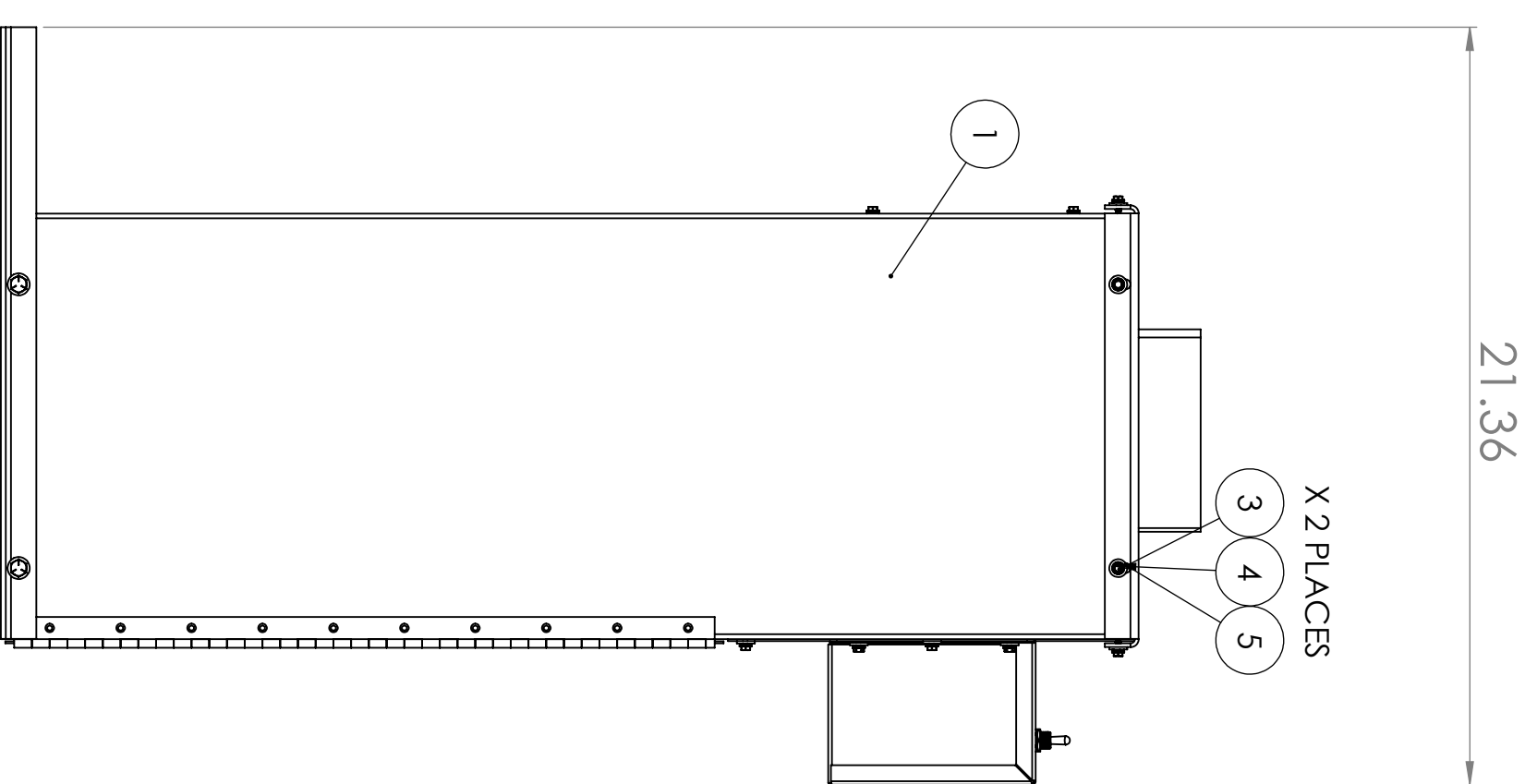
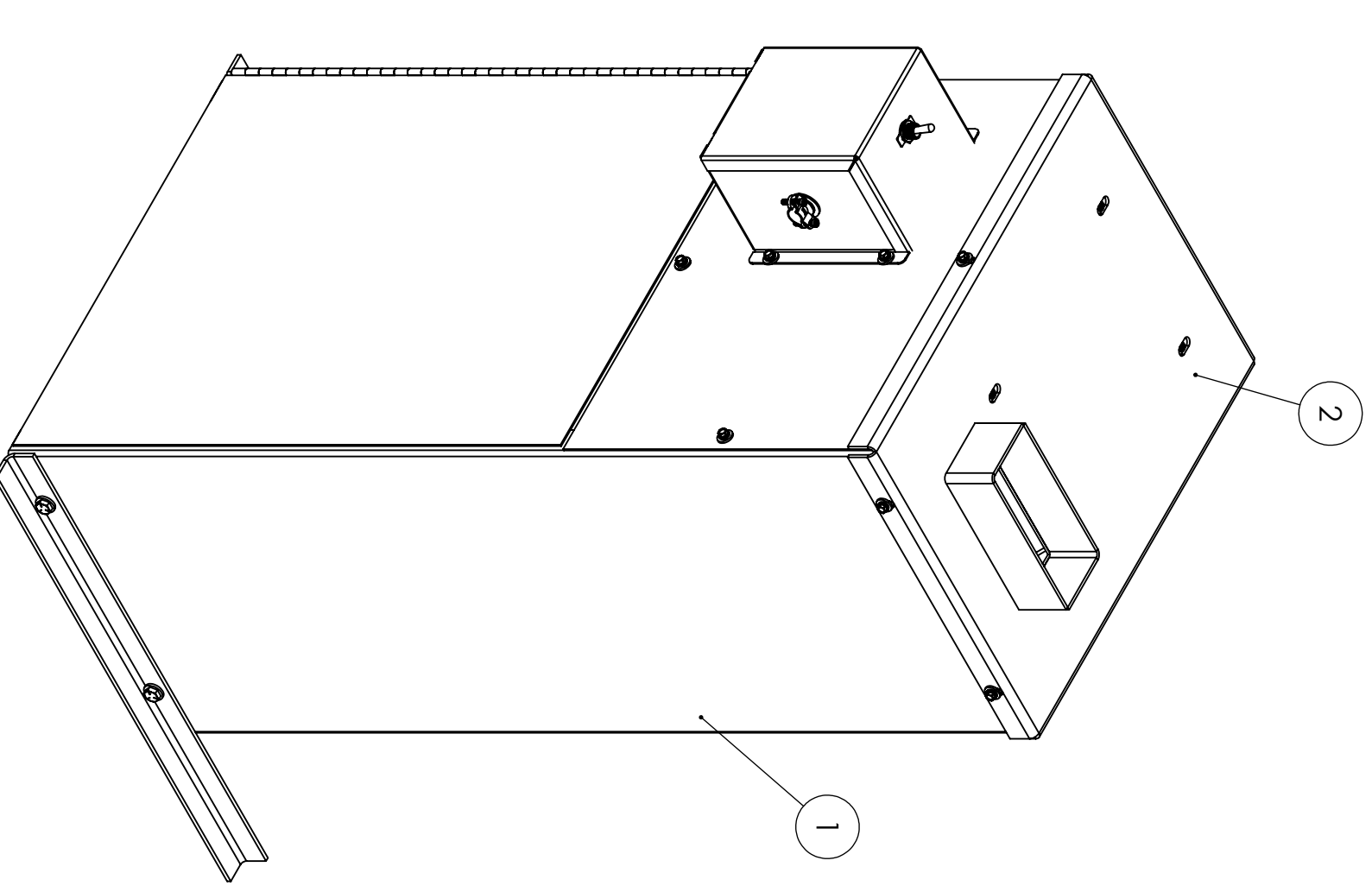
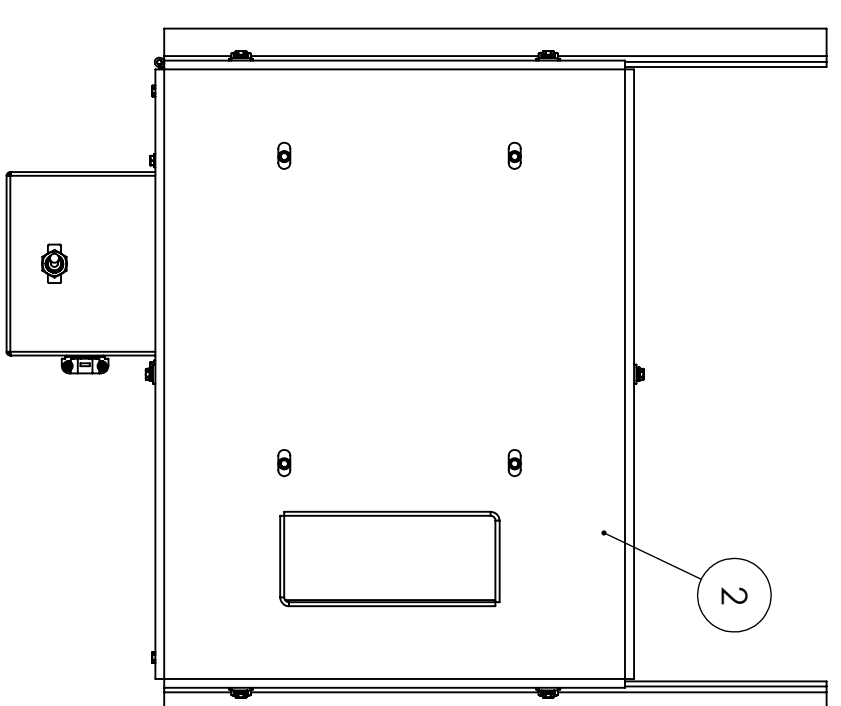
PLEASE CONSULT DRAWING 124-001
FOR CABINET DETAILS

UNLESS OTHERWISE SPECIFIED:		DRAWN	NAME	DATE
TOLERANCES:		CHECKED		
FRACTIONS:		ENGINEER		
DECIMALS:		DESIGNER		
ANGULAR: MATCH - BEND ±		INTERFERE		
THREE PLACE DECIMAL ±		TOLERANCE		
INTERFERE GEOMETRIC		COMMENTS:		
TOLERANCE FIT:				
MATERIAL:				
FINISH:				
REVISIONS:				
NO. DATE	DESCRIPTION	BY	DATE	
1	ISSUED FOR CONSTRUCTION			
2	ISSUED FOR FABRICATION			

KALAMAZOO MACHINERY & TOOL CO. INC.		TITLE:	
DCV-4 DUST COLLECTOR FOR ISMV APPLICATION		SIZE: DWG. NO. D DCV-4(1SMV)	
SCALE: 1:5 WEIGHT:		SHEET 1 OF 1	

PROPRIETARY AND CONFIDENTIAL
THIS DRAWING IS THE PROPERTY OF KALAMAZOO MACHINERY & TOOL CO. INC. AND IS NOT TO BE REPRODUCED OR TRANSMITTED IN ANY FORM OR BY ANY MEANS, ELECTRONIC OR MECHANICAL, INCLUDING PHOTOCOPYING, RECORDING, OR BY ANY INFORMATION STORAGE AND RETRIEVAL SYSTEM, WITHOUT THE WRITTEN PERMISSION OF KALAMAZOO MACHINERY & TOOL CO. INC.

ITEM NO.	PART NUMBER	DESCRIPTION	QTY.
1	124-001	CABINET, VACUUM FOR DCV-4	1
2	833-003	TOP CABINET FOR DCV-4 VACUUM (2FSMV SANDER MOUNT)	1
3	HW1Z008008	#8 X 1/2 HWH TEKS Z	6
4	SLWZ010	#10 SPLIT L/W Z	6
5	MSWZ010	#10 M.S. F/W Z	6



PLEASE CONSULT DRAWING 124-001
FOR CABINET DETAILS

UNLESS OTHERWISE SPECIFIED:		DRAWN	NAME	DATE
TOLERANCES:	AS SHOWN	CHECKED	ENGINEER	
ANGULAR: MACH -	± .000	DESIGNED	ENGINEER	
THREE PLACE DECIMAL:	± .001	DATE		
FINISH		COMMENTS:		
APPLICATION	USED ON	REVISIONS		
DO NOT SCALE DRAWING		SIZE: DWG. NO. DDCV-4(2FSMV)		SCALE: 1:5 WEIGHT: SHEET 1 OF 1

PROPRIETARY AND CONFIDENTIAL
THE INFORMATION CONTAINED HEREIN IS THE PROPERTY OF KALAMAZOO TOOL WORKS, INC. AND IS NOT TO BE REPRODUCED, COPIED, OR TRANSMITTED IN ANY FORM OR BY ANY MEANS, ELECTRONIC OR MECHANICAL, WITHOUT THE WRITTEN PERMISSION OF KALAMAZOO TOOL WORKS, INC.

A

B

C

D

8

7

6

5

4

3

2

1

A

B

C

D

8

7

6

5

4

3

2

1

8

7

6

5

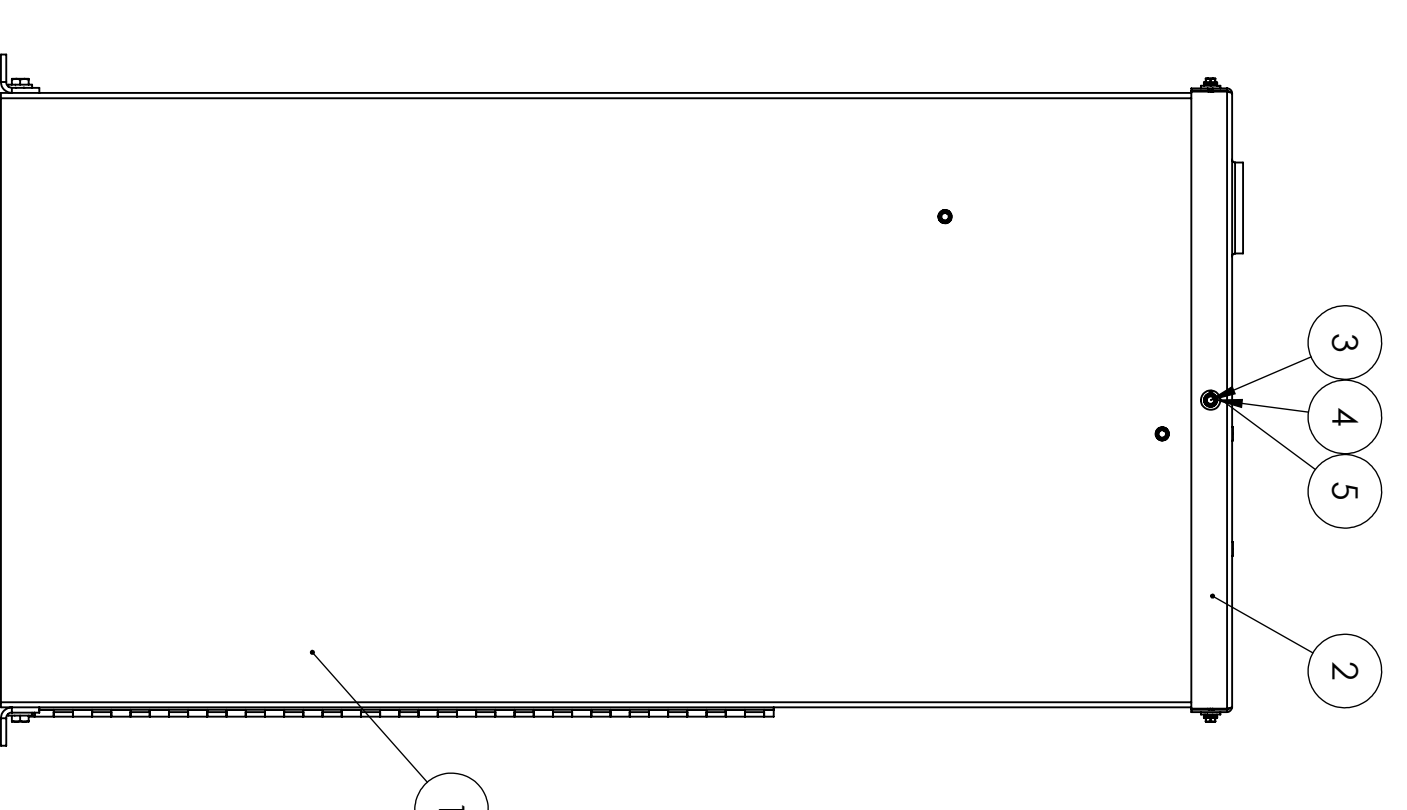
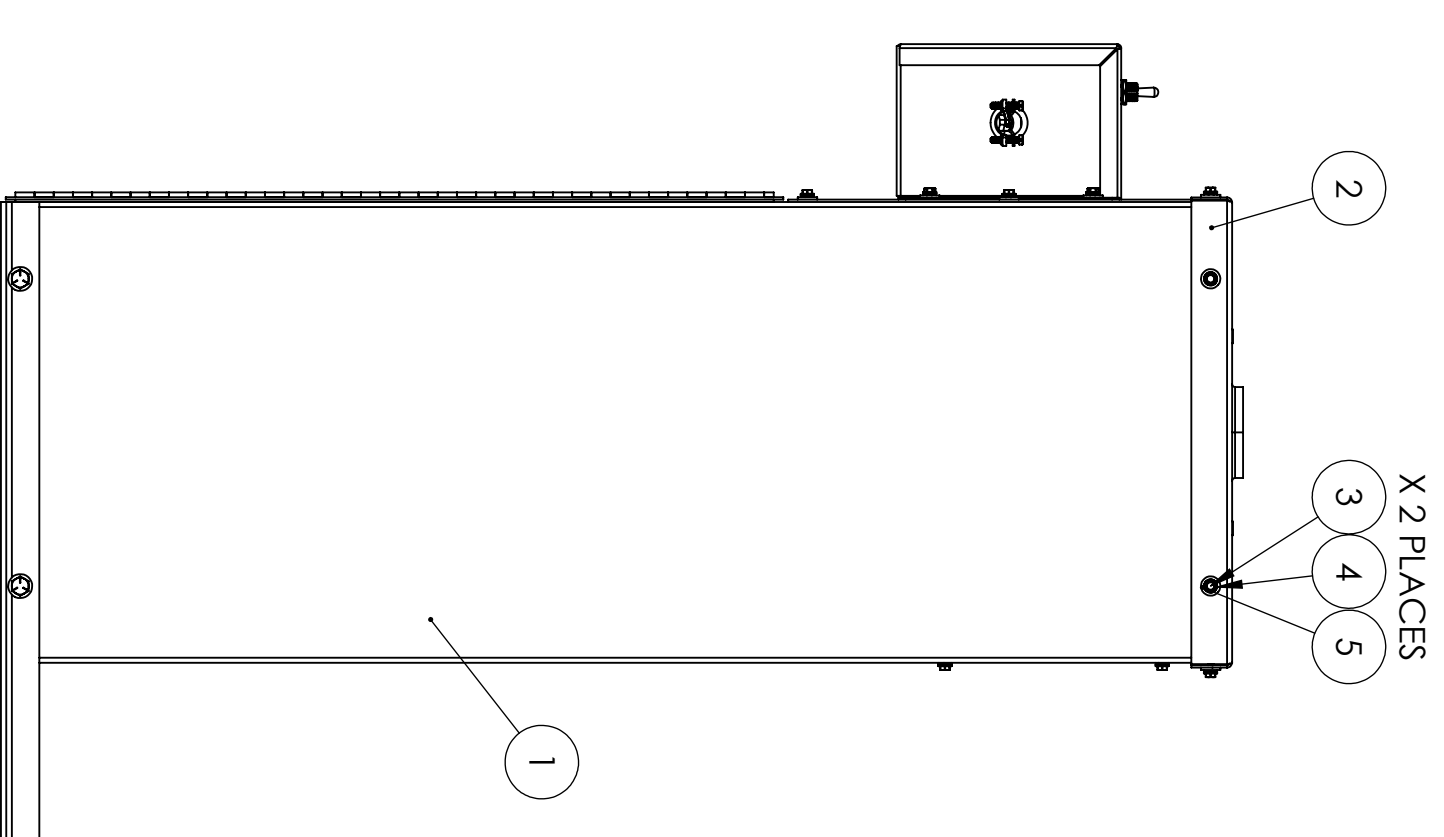
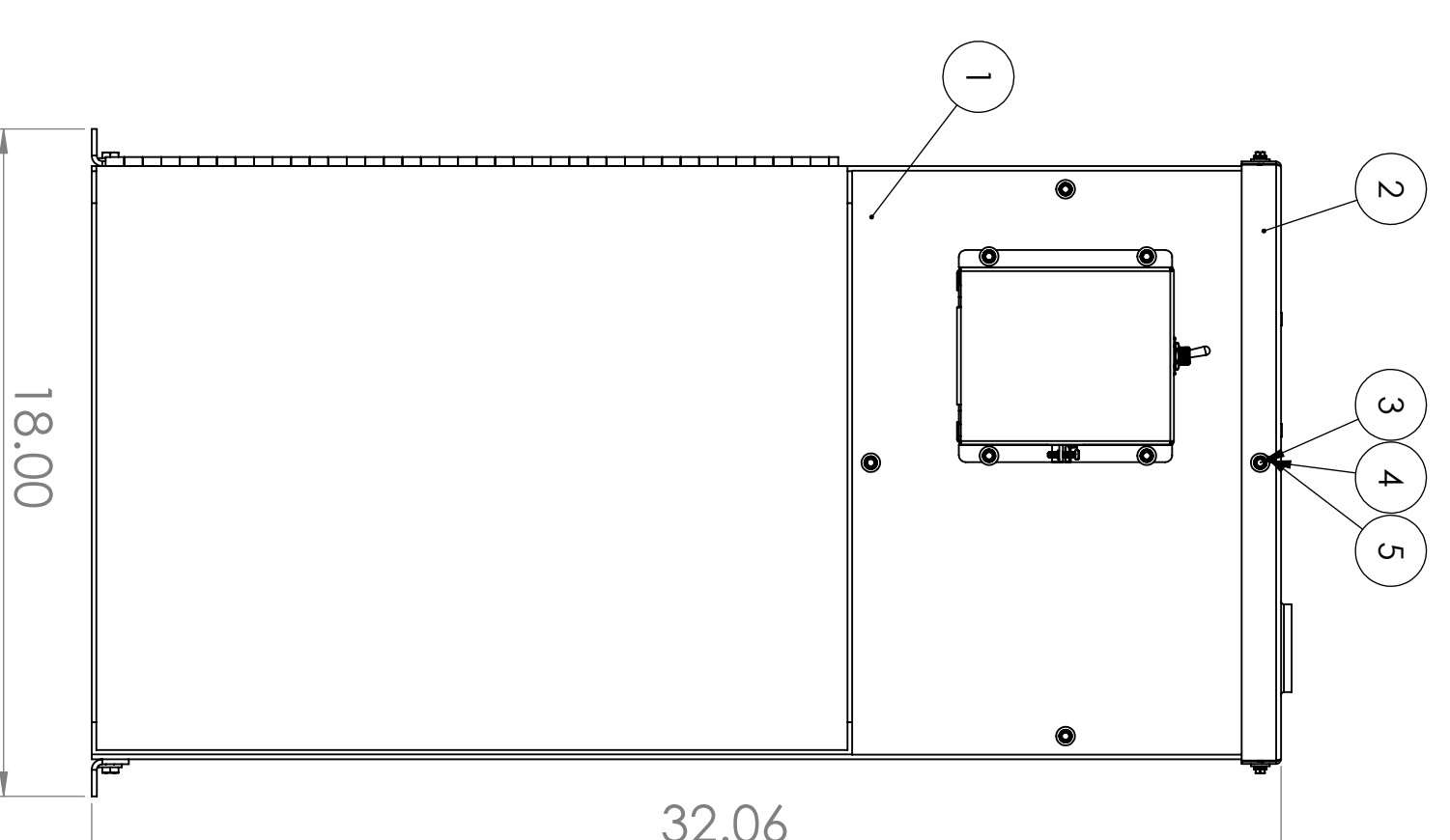
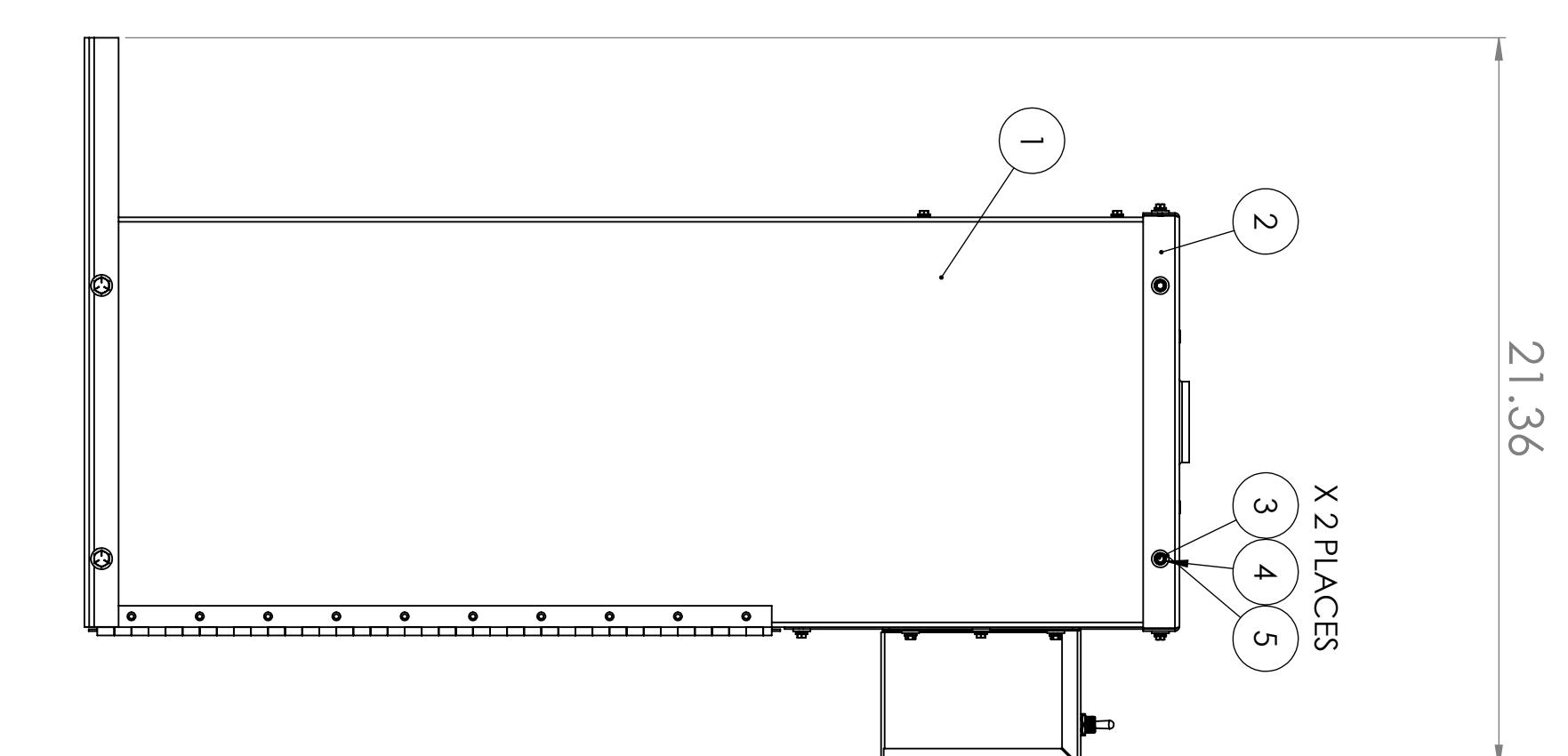
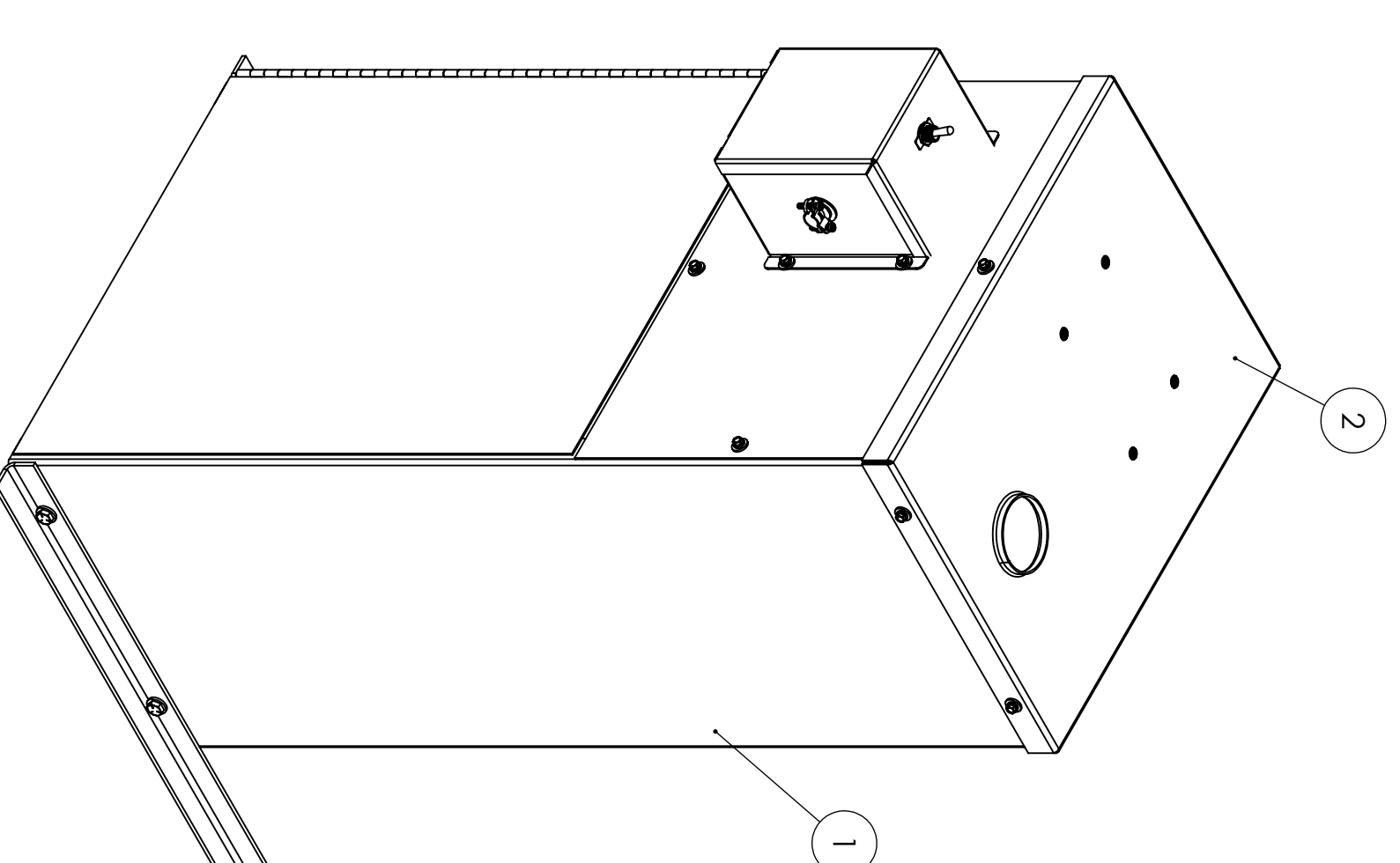
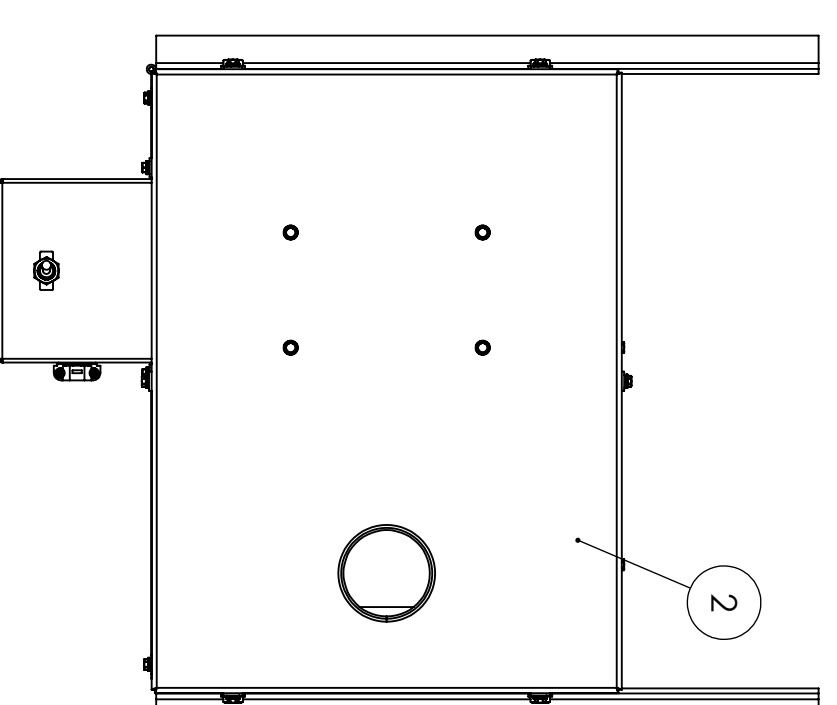
4

3

2

1

ITEM NO.	PART NUMBER	DESCRIPTION	QTY.
1	124-001	CABINET VACUUM FOR DCV-4	1
2	833-001	TOP CABINET FOR DCV-4 VACUUM (S&S SANDER MOUNT)	1
3	HWI7008008	#8 X 1/2 HWH TEKS Z	6
4	SLWZ010	#10 SPLIT L/W Z	6
5	MSWZ010	#10 M.S. F/W Z	6



PLEASE CONSULT DRAWING 124-001
FOR CABINET DETAILS

PROPRIETARY AND CONFIDENTIAL
THE INFORMATION CONTAINED HEREIN IS THE PROPERTY OF KALAMAZOO INDUSTRIES, INC. AND IS NOT TO BE REPRODUCED OR TRANSMITTED IN ANY FORM OR BY ANY MEANS, ELECTRONIC OR MECHANICAL, INCLUDING PHOTOCOPYING, RECORDING, OR BY ANY INFORMATION STORAGE AND RETRIEVAL SYSTEM, WITHOUT THE WRITTEN PERMISSION OF KALAMAZOO INDUSTRIES, INC.

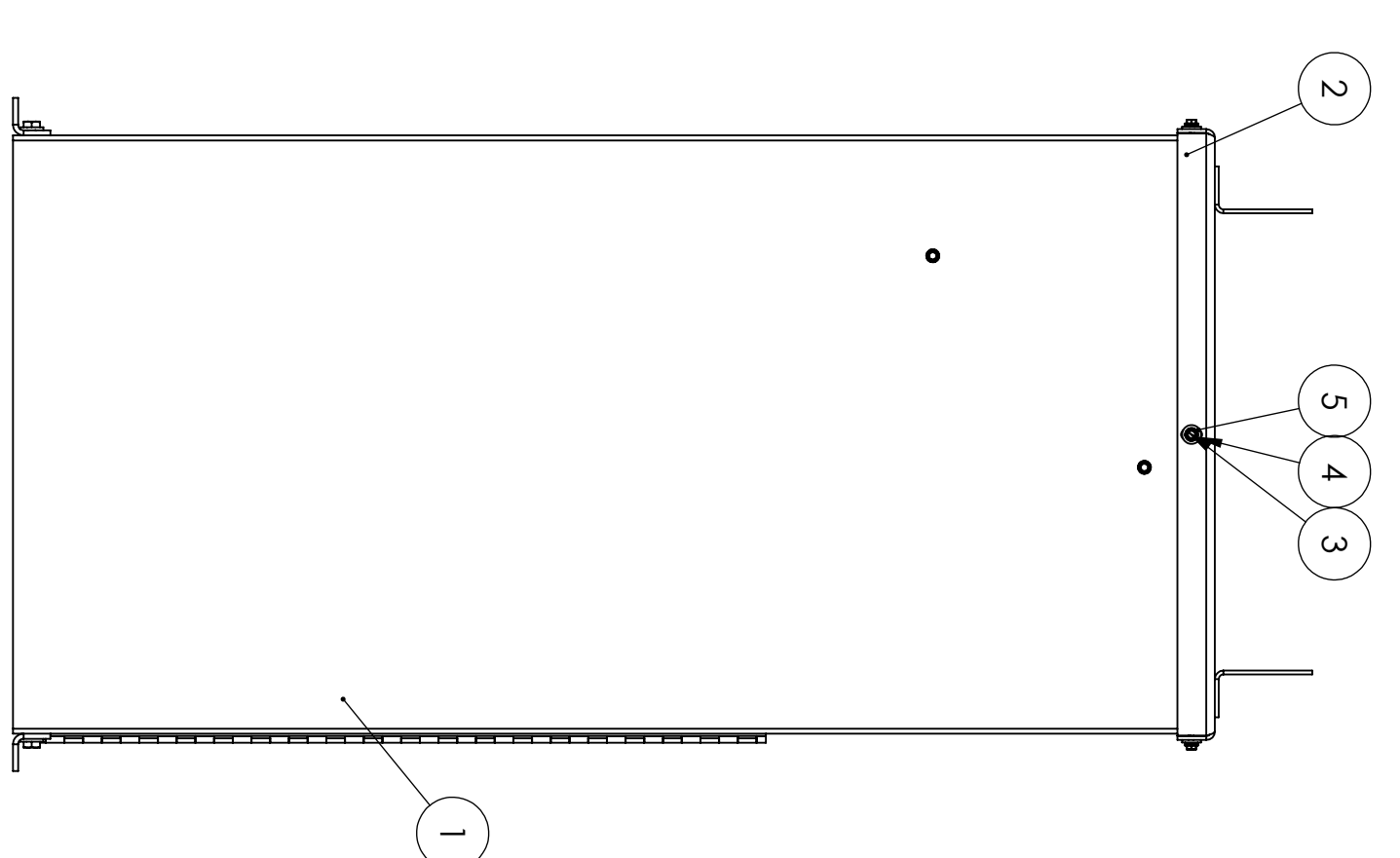
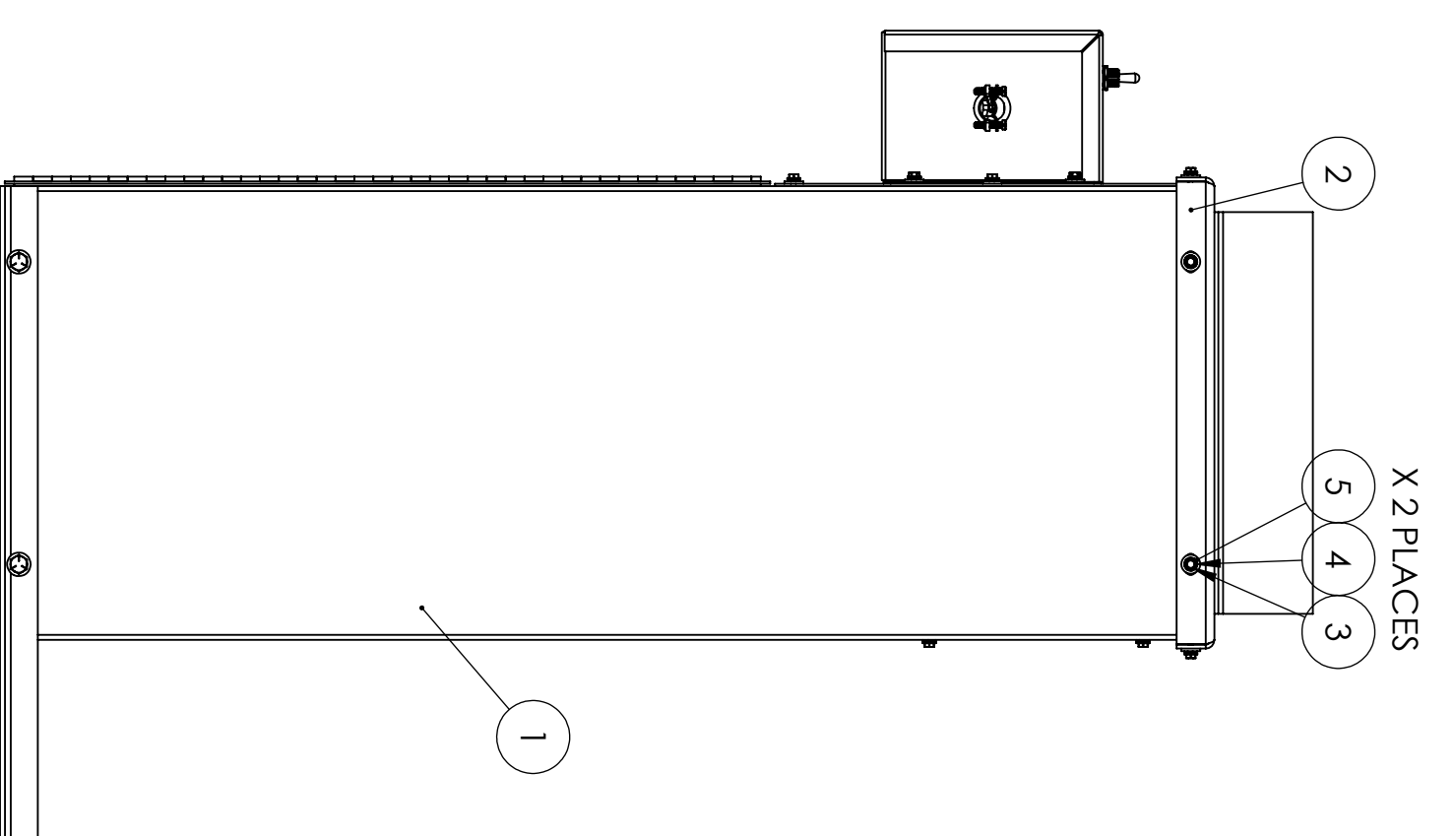
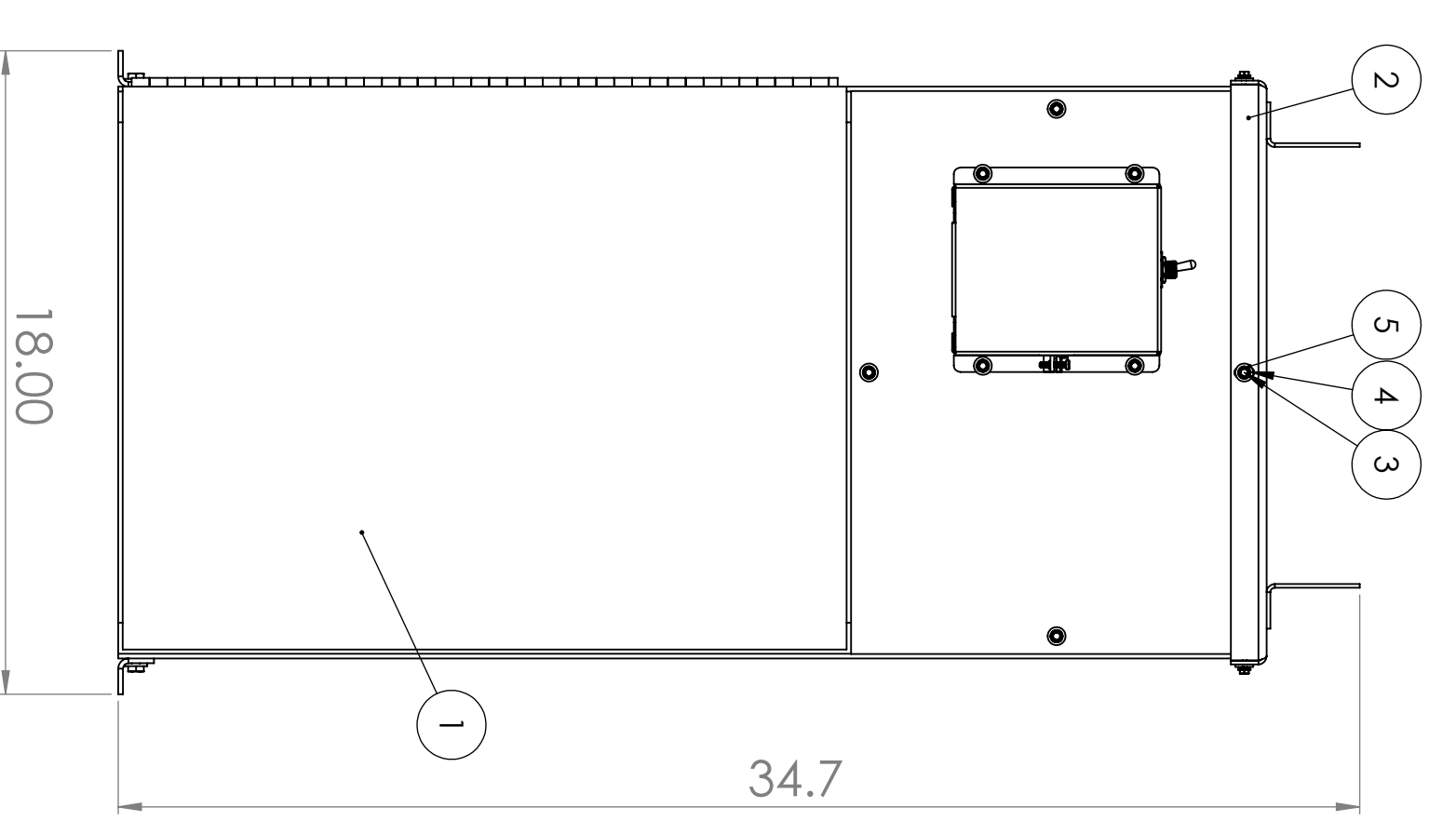
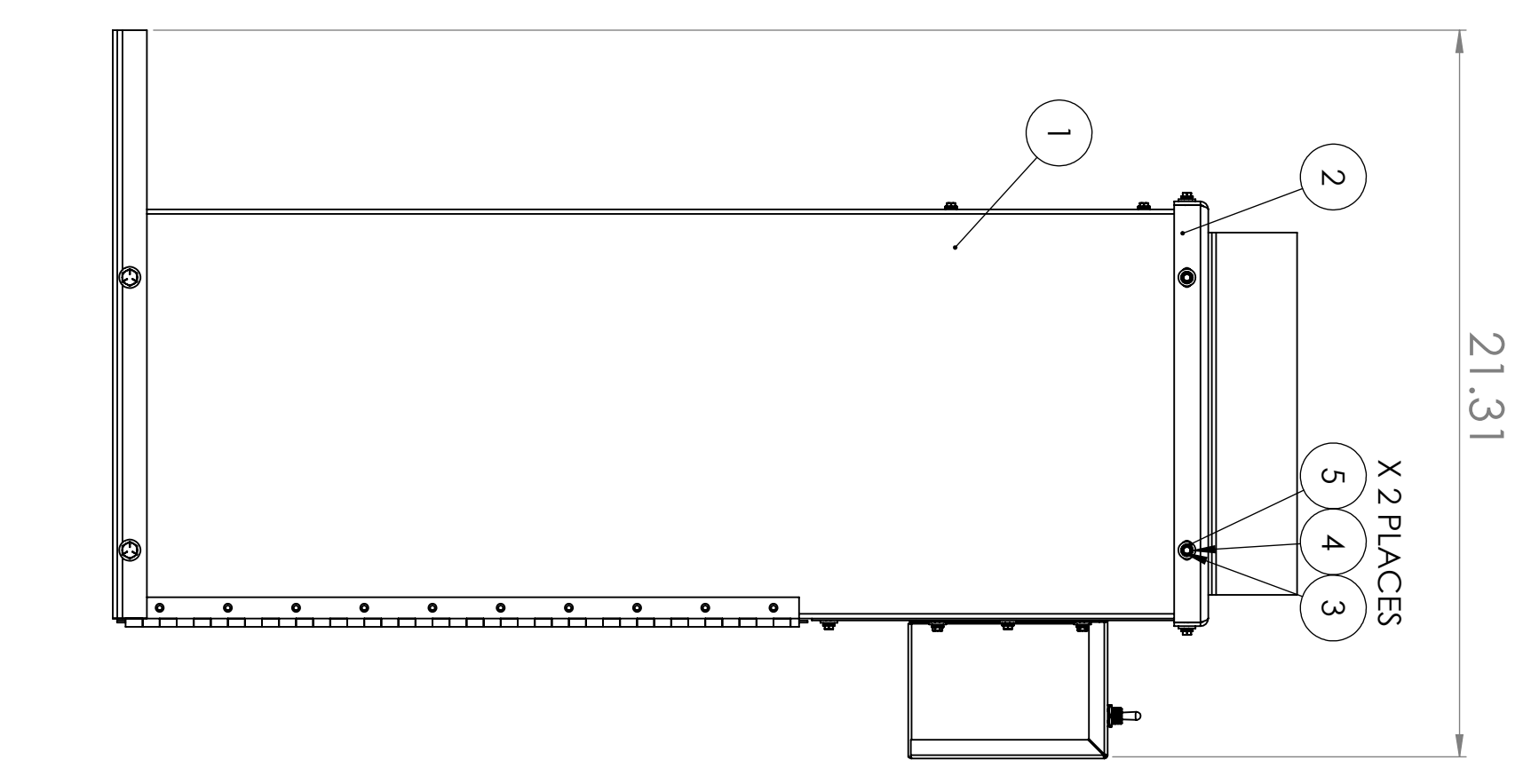
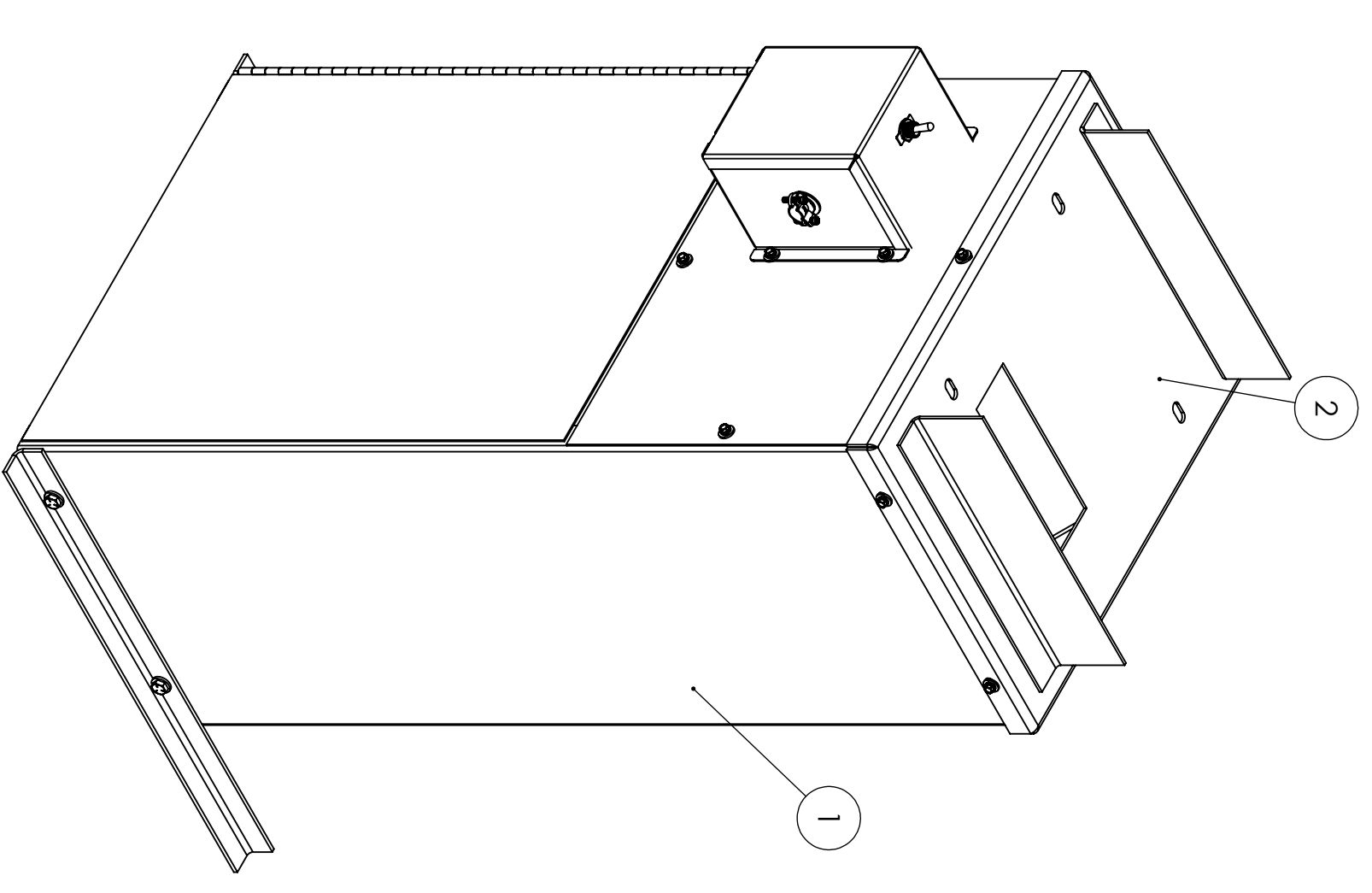
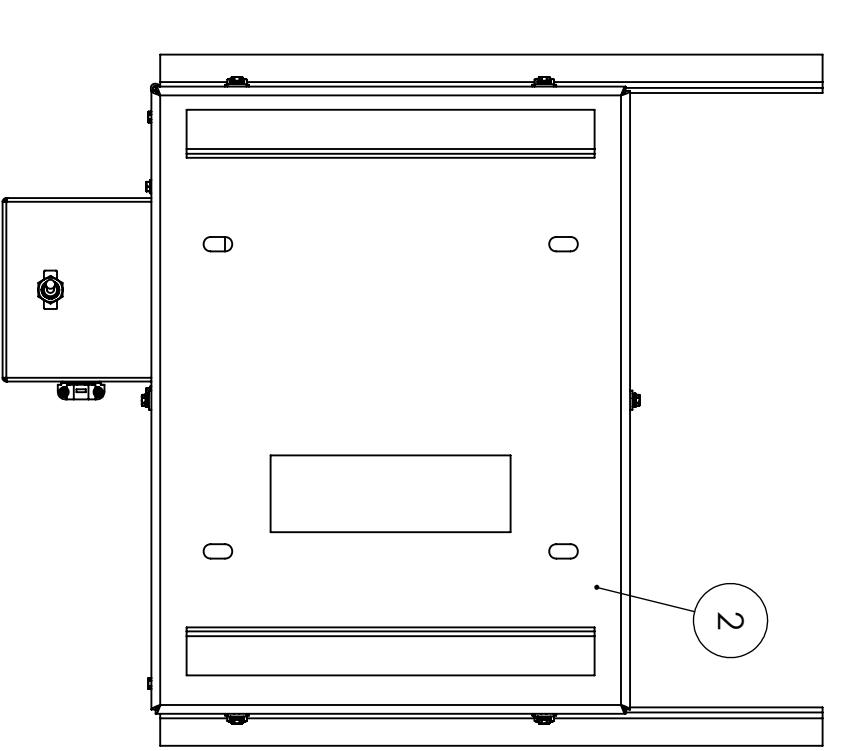
UNLESS OTHERWISE SPECIFIED:	DRAWN	NAME	DATE
TOLERANCES:			
FRACTIONS:			
DECIMALS:			
ANGULAR: MATCH - BEND ±	CHECKED		
THREE PLACE DECIMAL ±	ENGINEER		
TOLERANCING PER:	DESIGNED		
ASME Y14.5	BY		
FINISH:	DATE:		
DO NOT SCALE DRAWING	SCALE: 1:5	WEIGHT:	SHEET 1 OF 1

KALAMAZOO
INDUSTRIES, INC.

TITLE:
DCV-4 DUST COLLECTOR
FOR S&S V APPLICATION

SIZE: DWG. NO.
D DCV-4(S&S V)

ITEM NO.	PART NUMBER	DESCRIPTION	QTY.
1	124-001	CABINET VACUUM FOR DCV-4	1
2	833-002	TOP CABINET FOR DCV-4 VACUUM (DS10 SANDER MOUNT)	1
3	HWT2008008	#8 X 1/2 HHWH TERS Z	6
4	SLWZ010	#10 SPLIT L/W Z	6
5	MSVZ010	#10 M.S. F/W Z	6



PLEASE CONSULT DRAWING 124-001
FOR CABINET DETAILS

UNLESS OTHERWISE SPECIFIED:		NAME	DATE
DESIGNER:	TOPOGRAPHY:	DRAWN:	
SCALE:	FINISH:	CHECKED:	
DATE:	APPROVED:	ENGINEER:	
		DESIGNER:	
		DATE:	

KALAMAZOO
 POWER TOOLS - INC.

TITLE:
 DCV-4 DUST COLLECTOR
 FOR DS10V APPLICATION

SIZE: DWG. NO. **DCV-4(DS10V)**
 SCALE: 1:5 WEIGHT: SHEET 1 OF 1

THE INFORMATION CONTAINED IN THIS DRAWING IS THE PROPERTY OF KALAMAZOO POWER TOOLS - INC. AND IS TO BE USED ONLY FOR THE PROJECT AND SITE SPECIFICALLY IDENTIFIED HEREIN. ANY REUSE OR MODIFICATION OF THIS DRAWING WITHOUT THE WRITTEN PERMISSION OF KALAMAZOO POWER TOOLS - INC. IS PROHIBITED.