

8

7

6

5

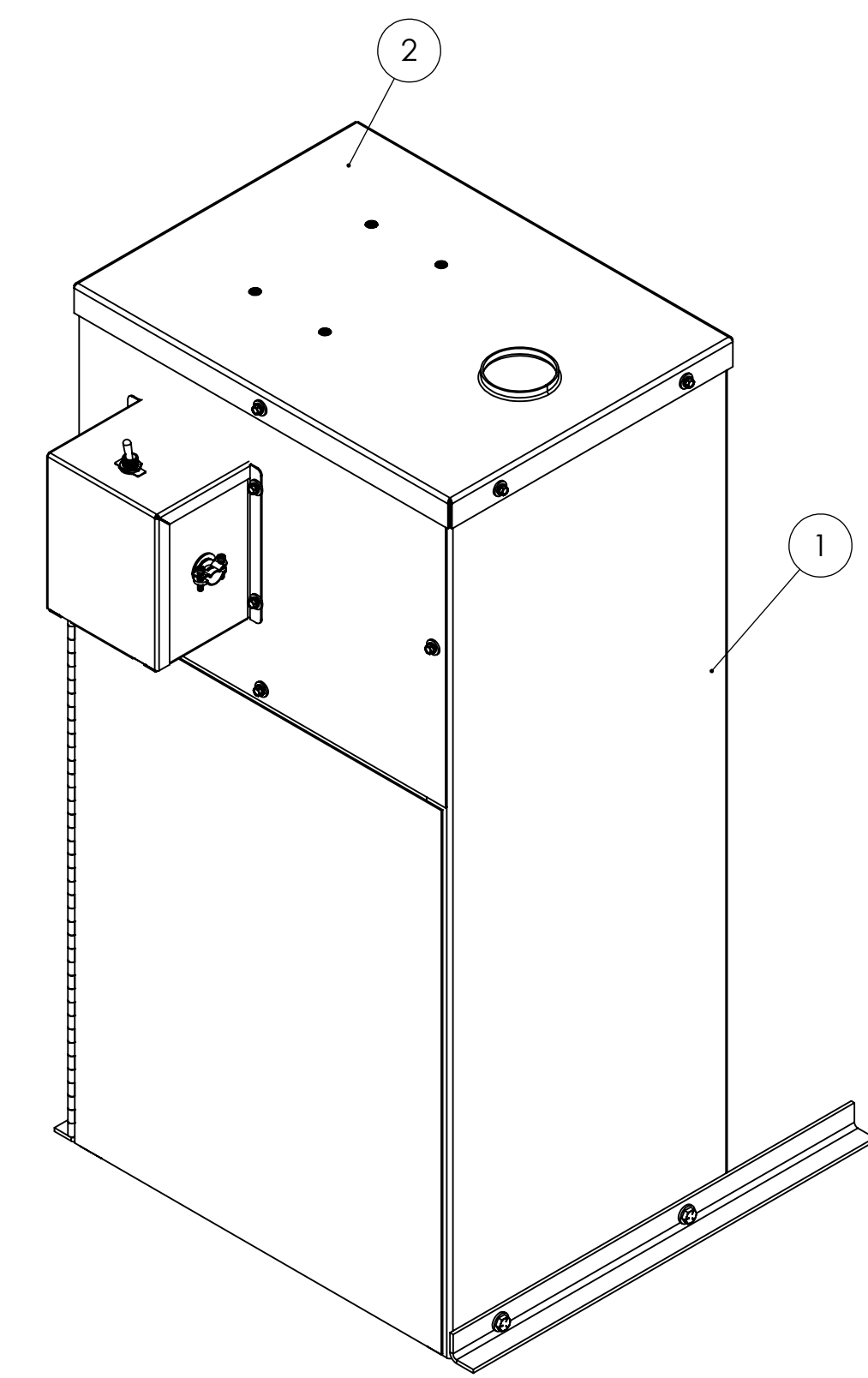
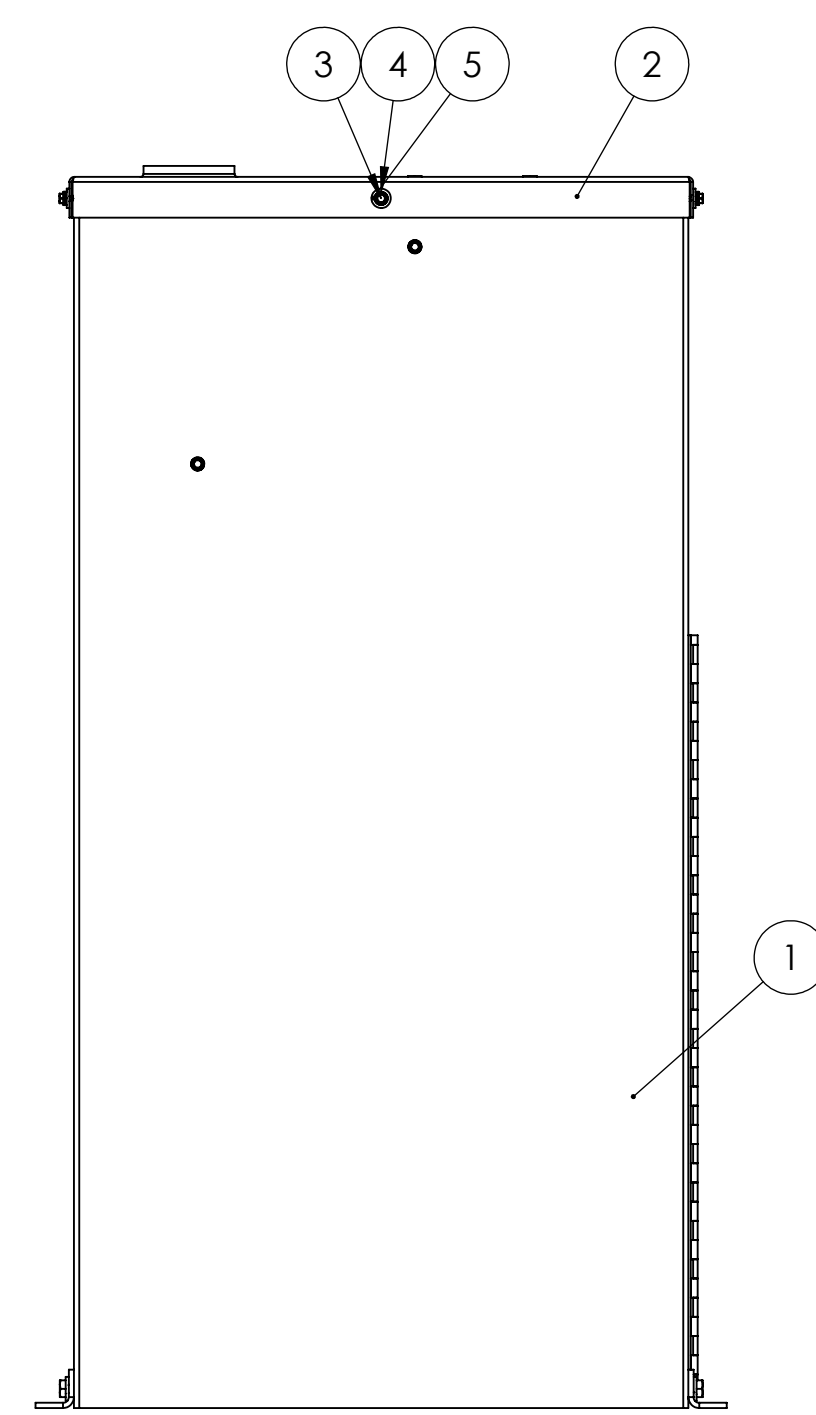
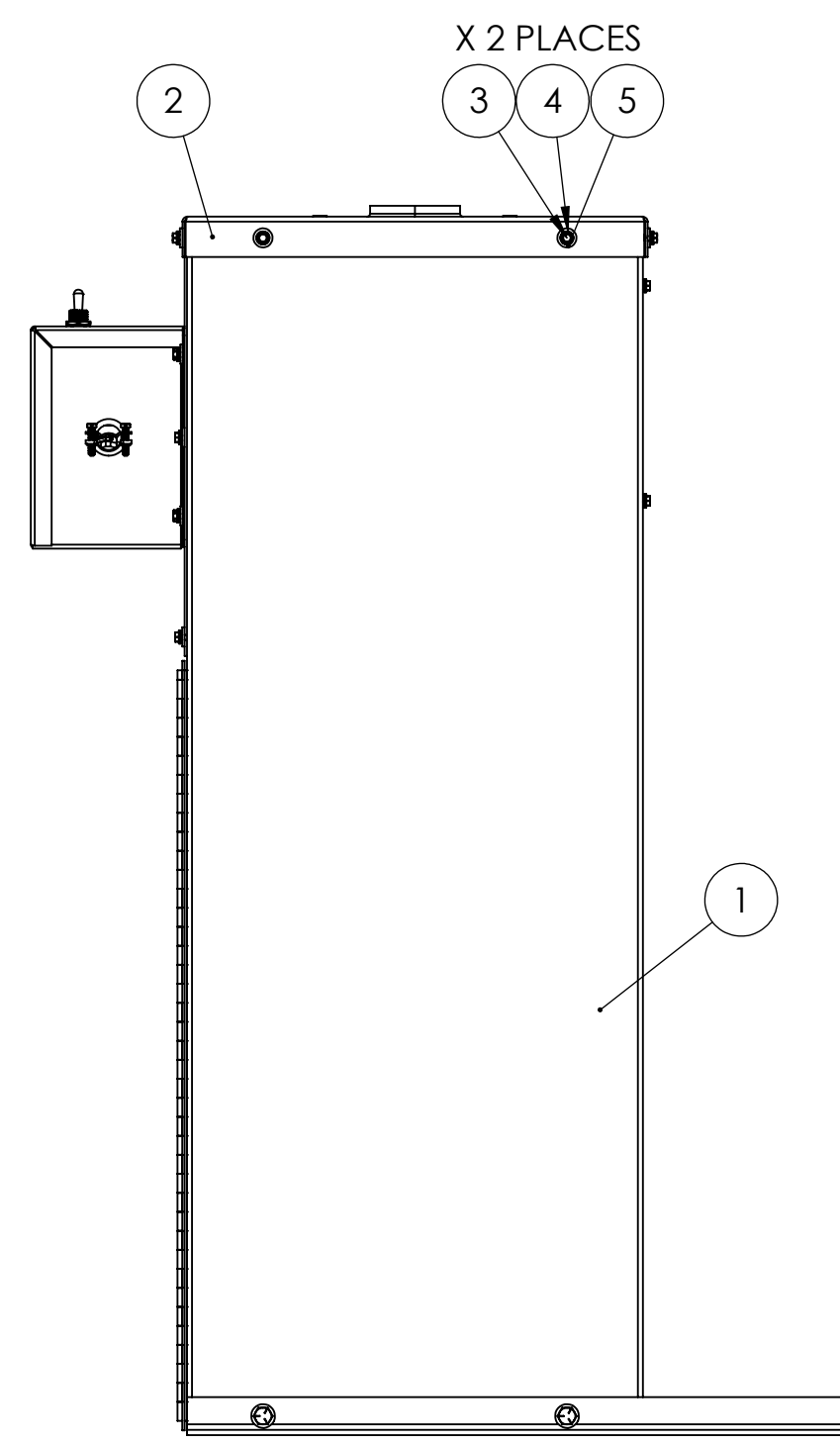
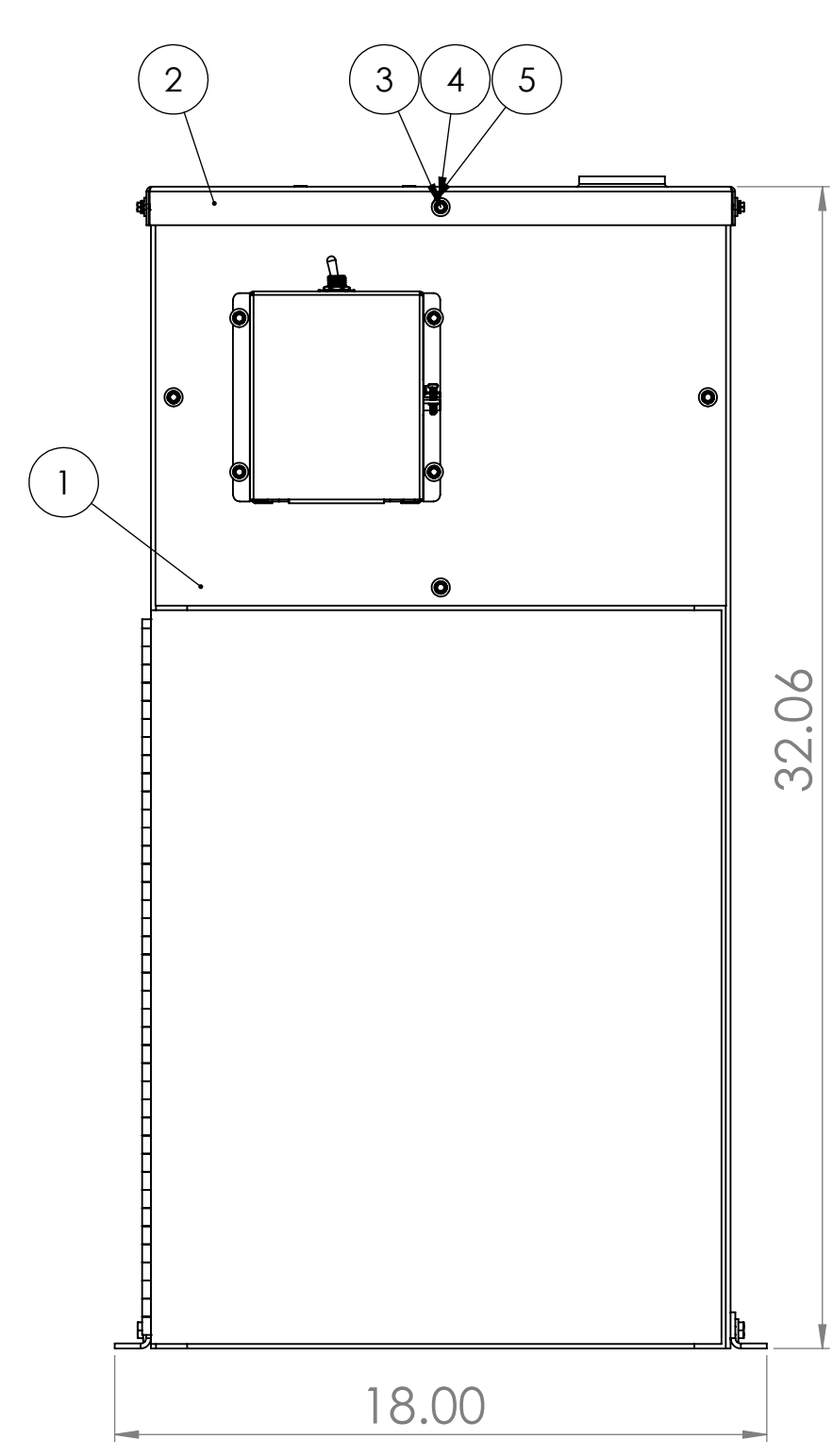
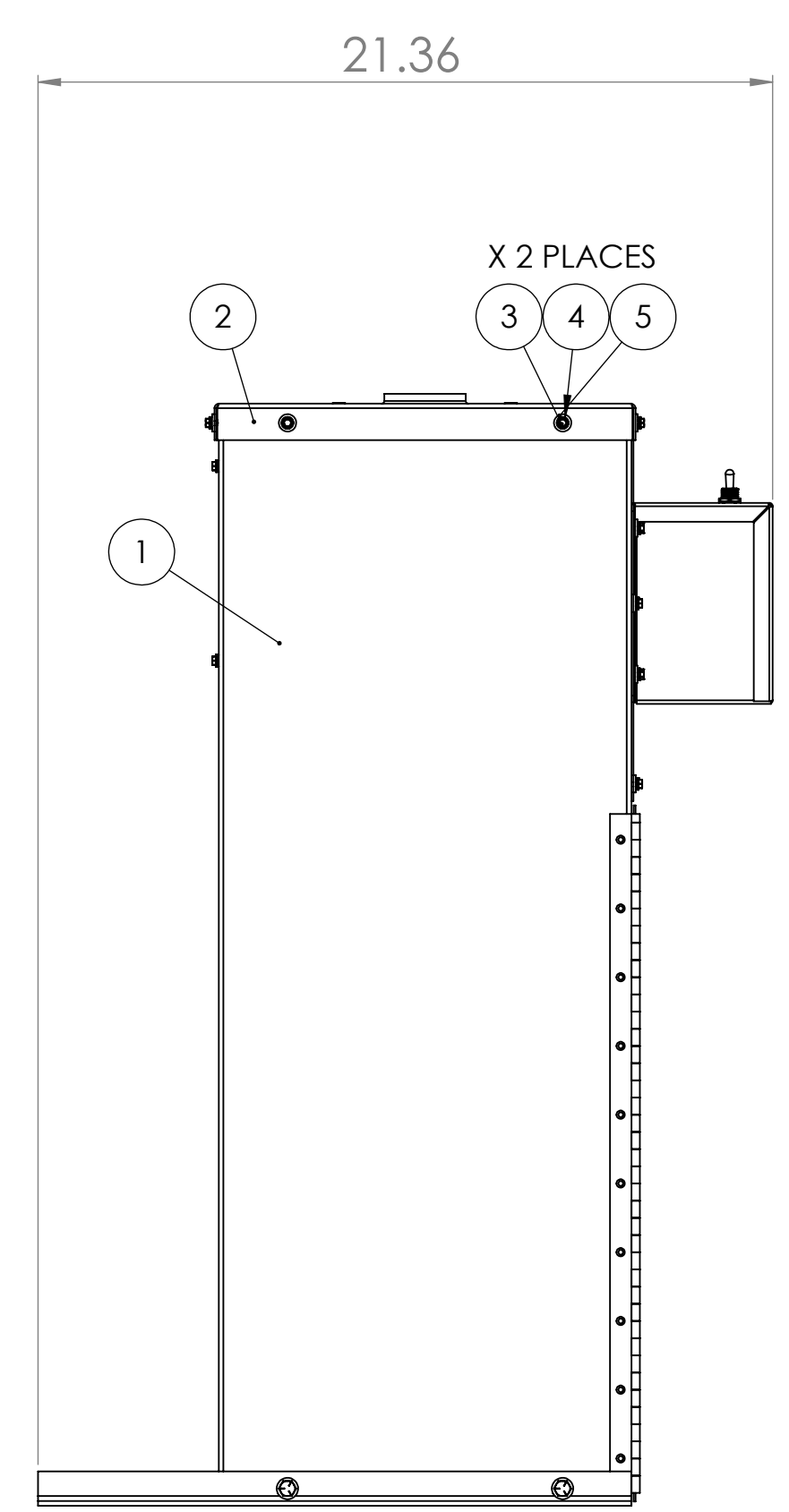
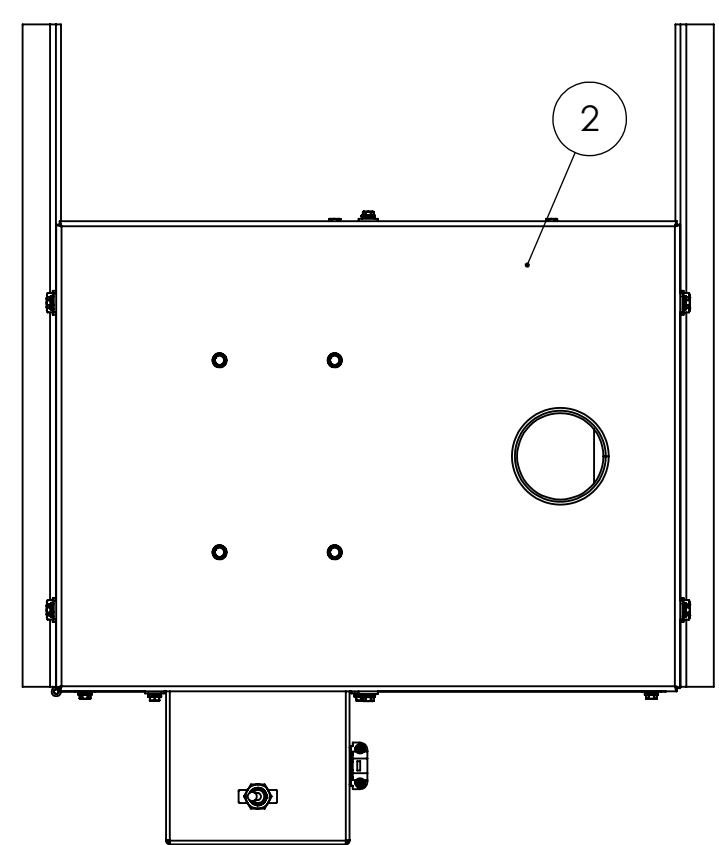
4

3

2

1

ITEM NO.	PART NUMBER	DESCRIPTION	QTY.
1	124-001	CABINET, VACUUM FOR DCV-4	1
2	833-001	TOP, CABINET FOR DCV-4 VACUUM (S4S SANDER MOUNT)	1
3	HWTZ008008	#8 X 1/2 HWH TEKS Z	6
4	SLWZ010	#10 SPLIT L/W Z	6
5	MSWZ010	#10 M.S. F/W Z	6



PLEASE CONSULT DRAWING 124-001 FOR CABINET DETAILS

PROPRIETARY AND CONFIDENTIAL  
 THE INFORMATION CONTAINED IN THIS DRAWING IS THE SOLE PROPERTY OF KALAMAZOO INDUSTRIES, INC. ANY REPRODUCTION IN PART OR AS A WHOLE WITHOUT THE WRITTEN PERMISSION OF KALAMAZOO INDUSTRIES, INC. IS PROHIBITED.

UNLESS OTHERWISE SPECIFIED:		NAME	DATE
DRAWN			
CHECKED			
ENG APPR.			
MFG APPR.			
INTERPRET GEOMETRIC TOLERANCING PER:		Q.A. COMMENTS:	
MATERIAL			
FINISH			
NEXT ASSY	USED ON		
APPLICATION		DO NOT SCALE DRAWING	

TITLE:		<b>KALAMAZOO INDUSTRIES, INC.</b>	
DCV-4 DUST COLLECTOR FOR S4SV APPLICATION			
SIZE	DWG. NO.	REV	
D	DCV-4(S4SV)		
SCALE: 1:5	WEIGHT:	SHEET 1 OF 1	

8

7

6

5

4

3

2

1