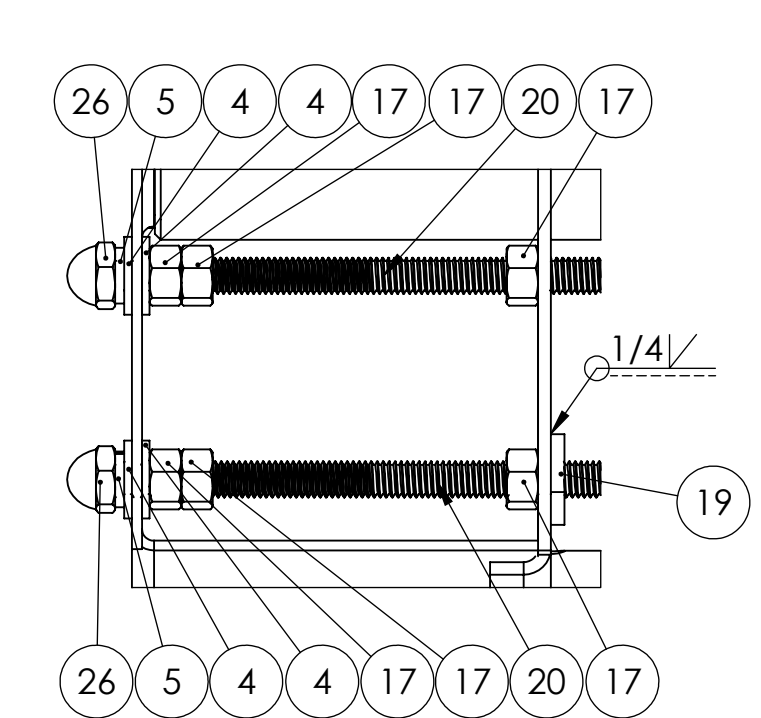
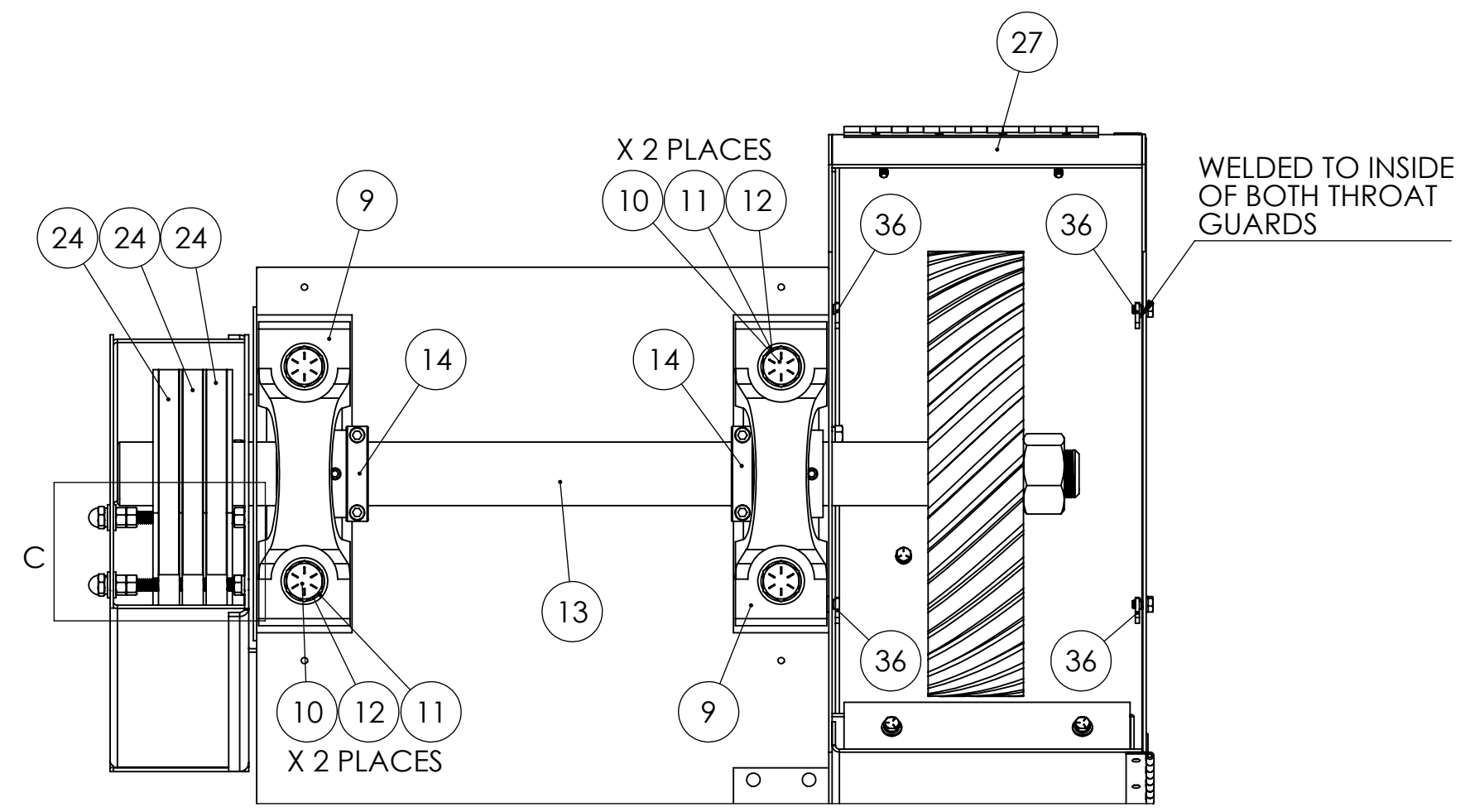


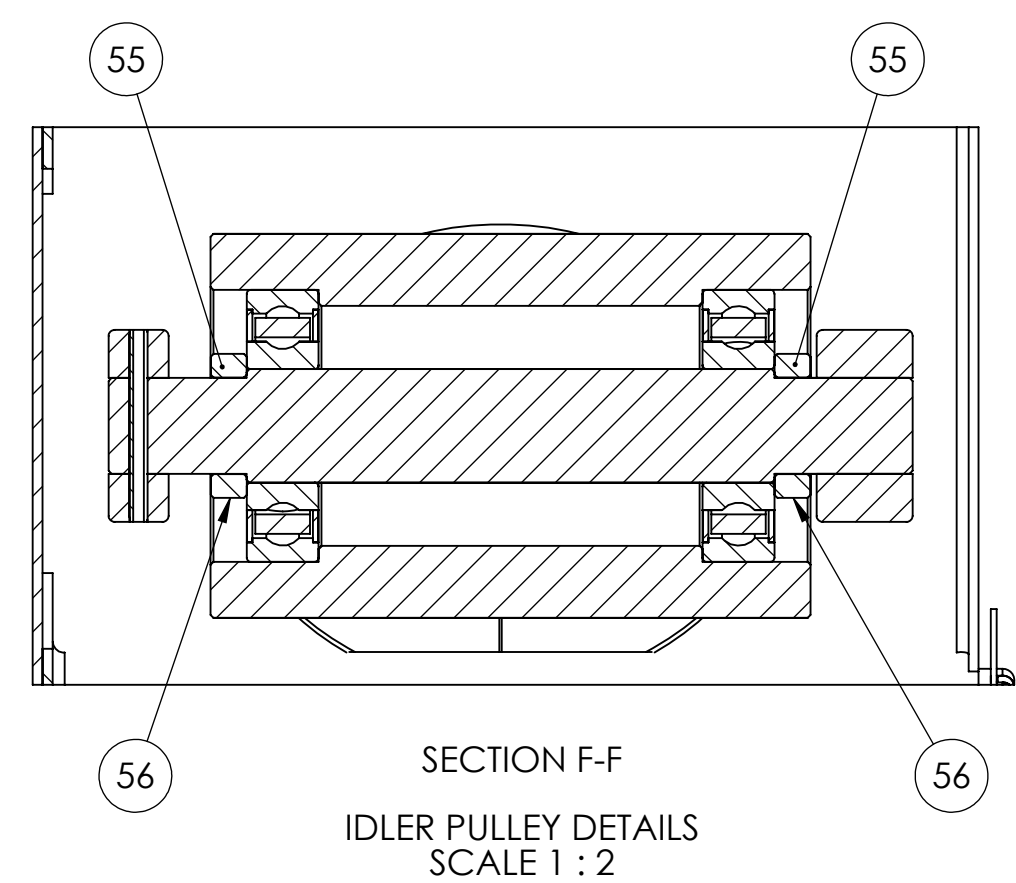
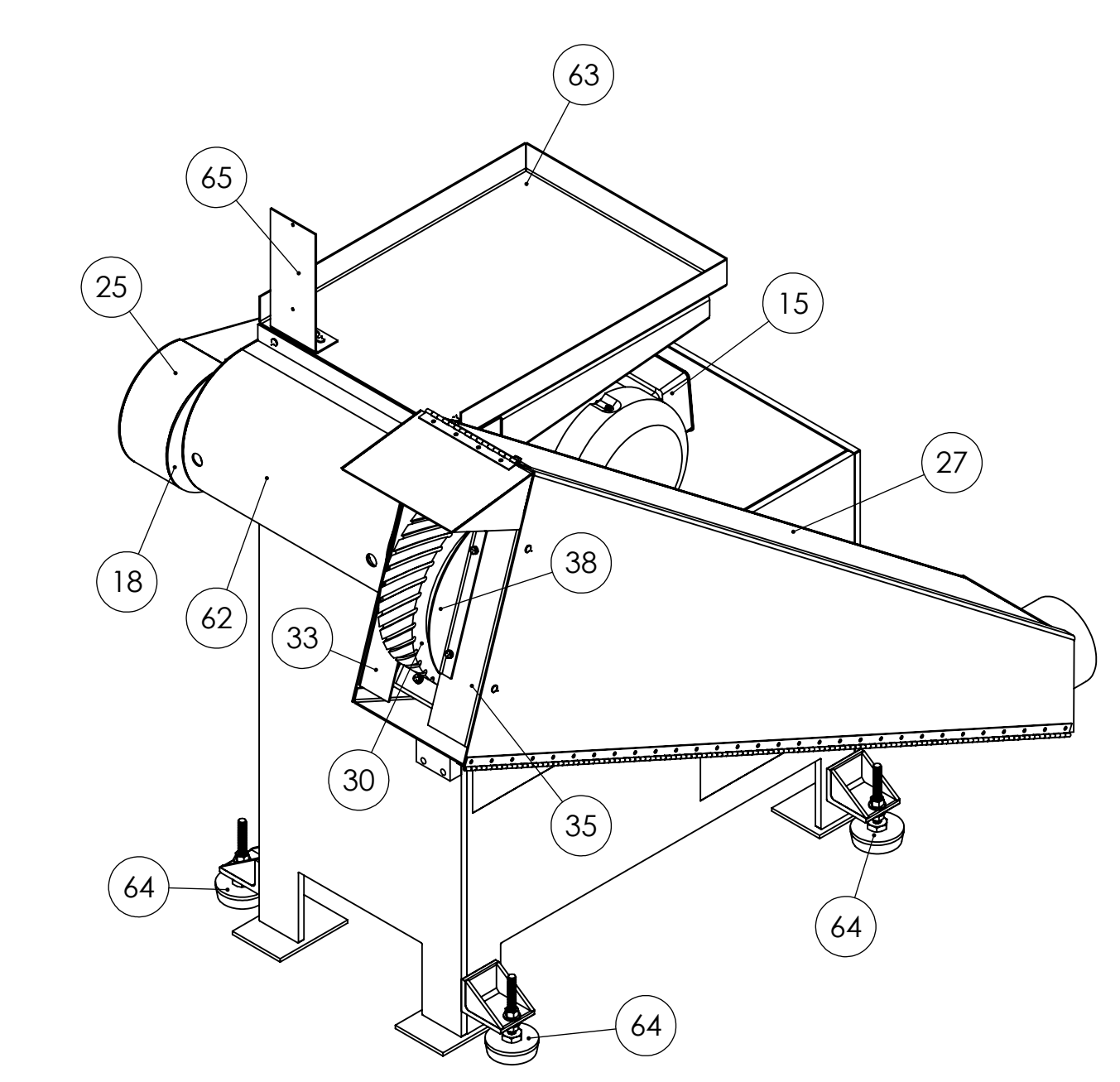
SIDE VIEW OF BELT GUARD BELTS AND PULLEYS



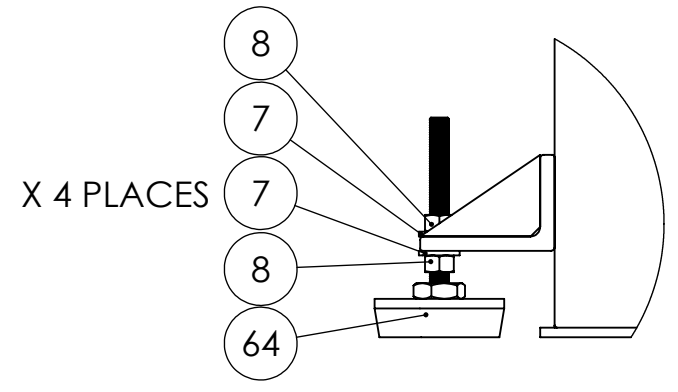
DETAIL C
SCALE 1 : 2
V-BELT GUARD MOUNTING DETAILS



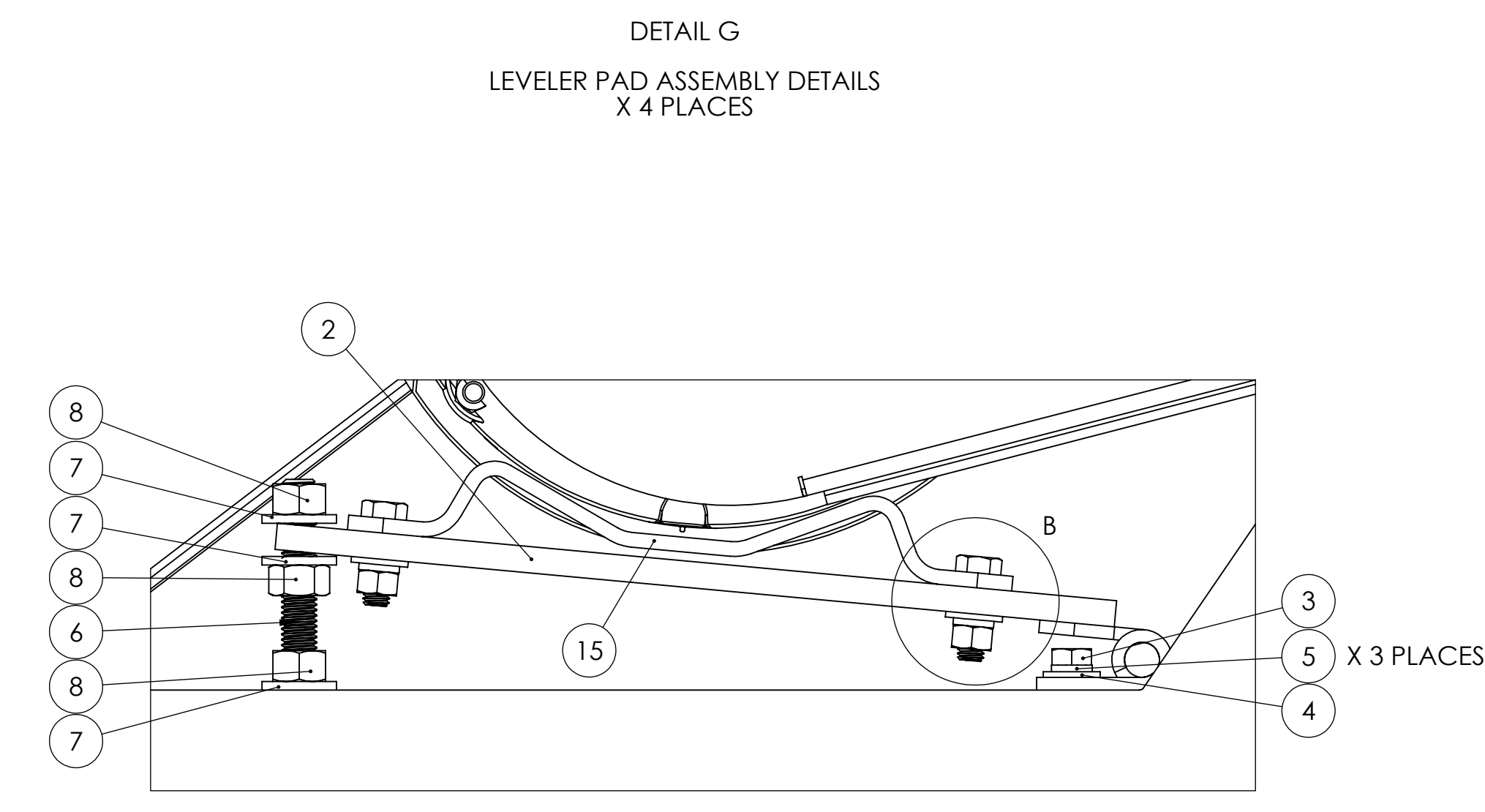
WHEEL, SPINDLE, AND SPINDLE BEARING DETAILS



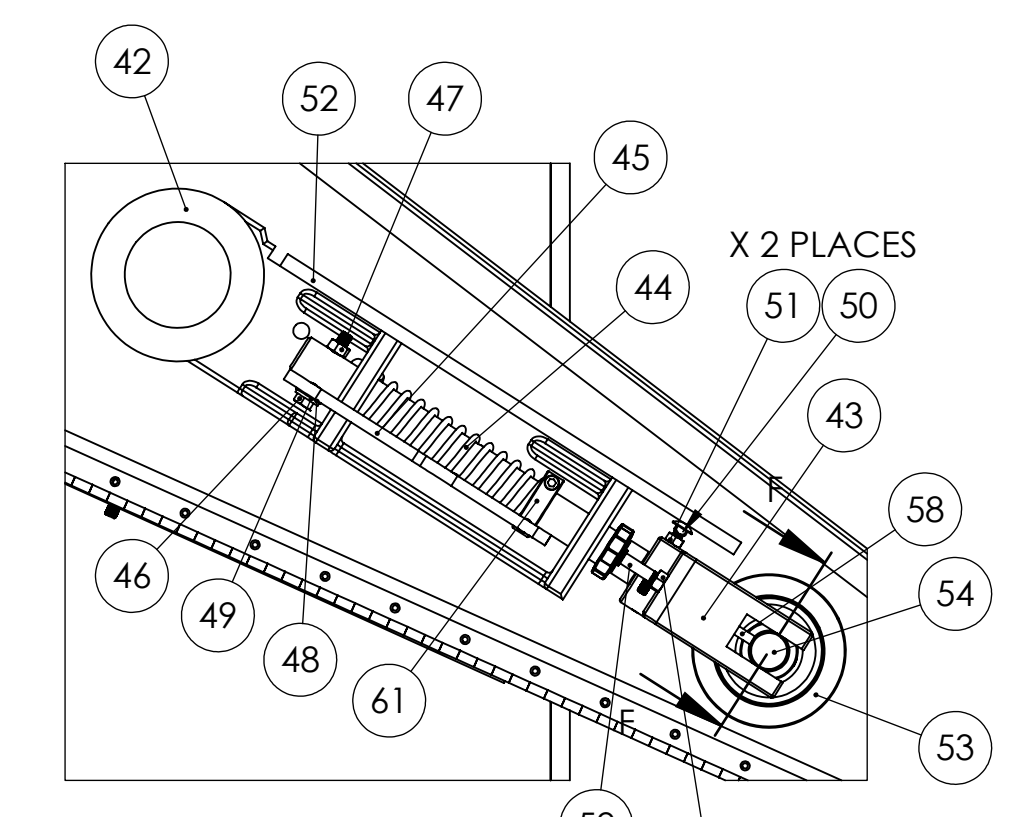
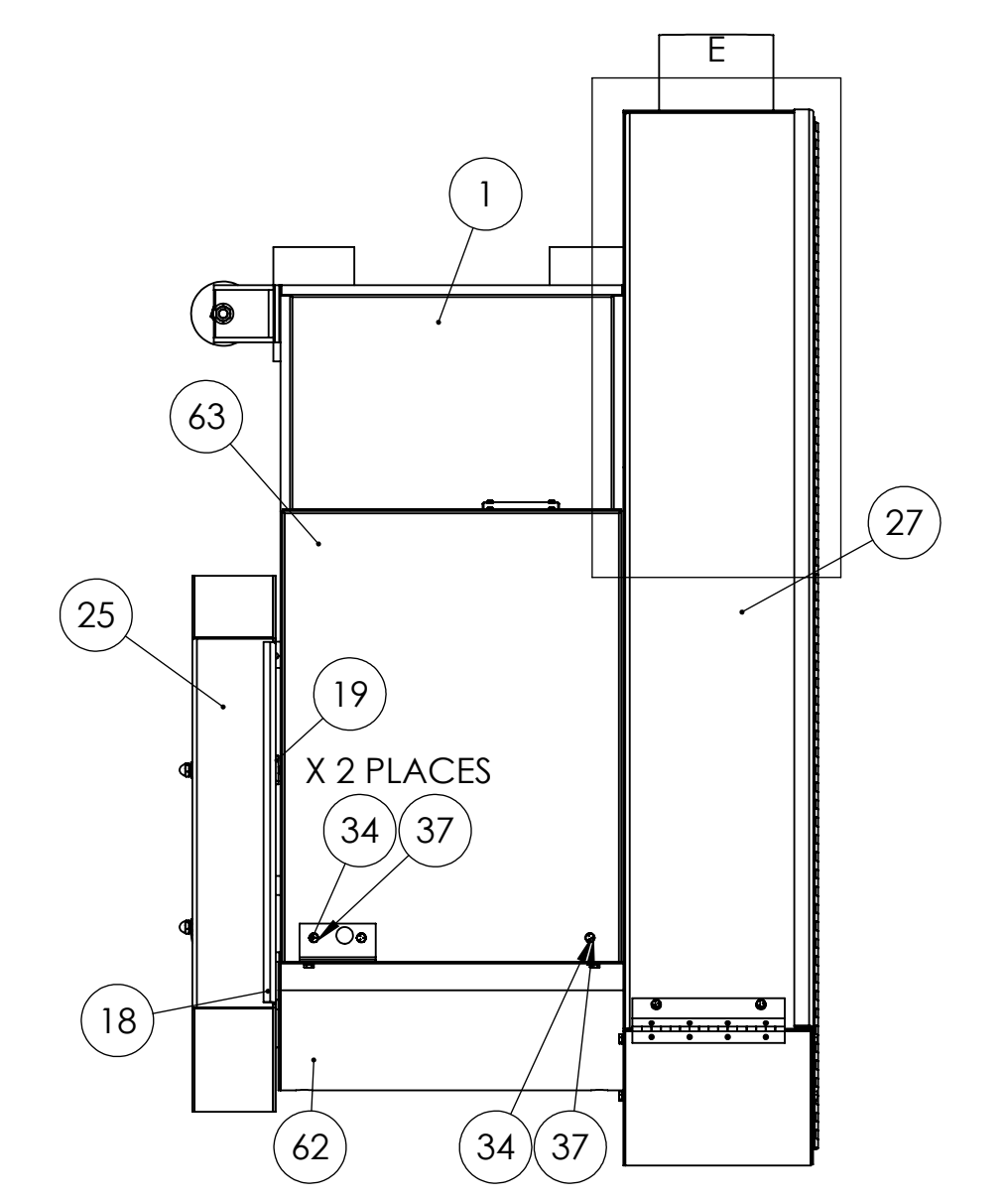
SECTION F-F
IDLER PULLEY DETAILS
SCALE 1 : 2



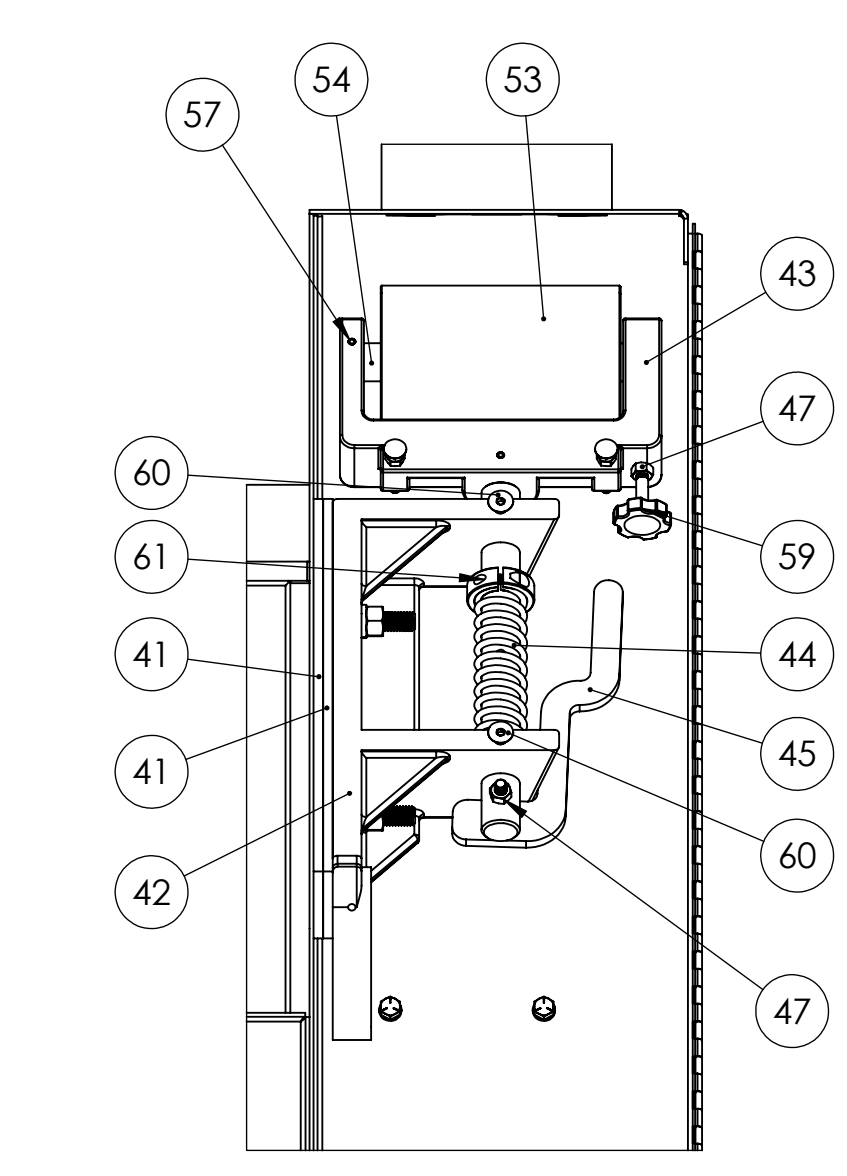
DETAIL G
LEVELER PAD ASSEMBLY DETAILS
X 4 PLACES



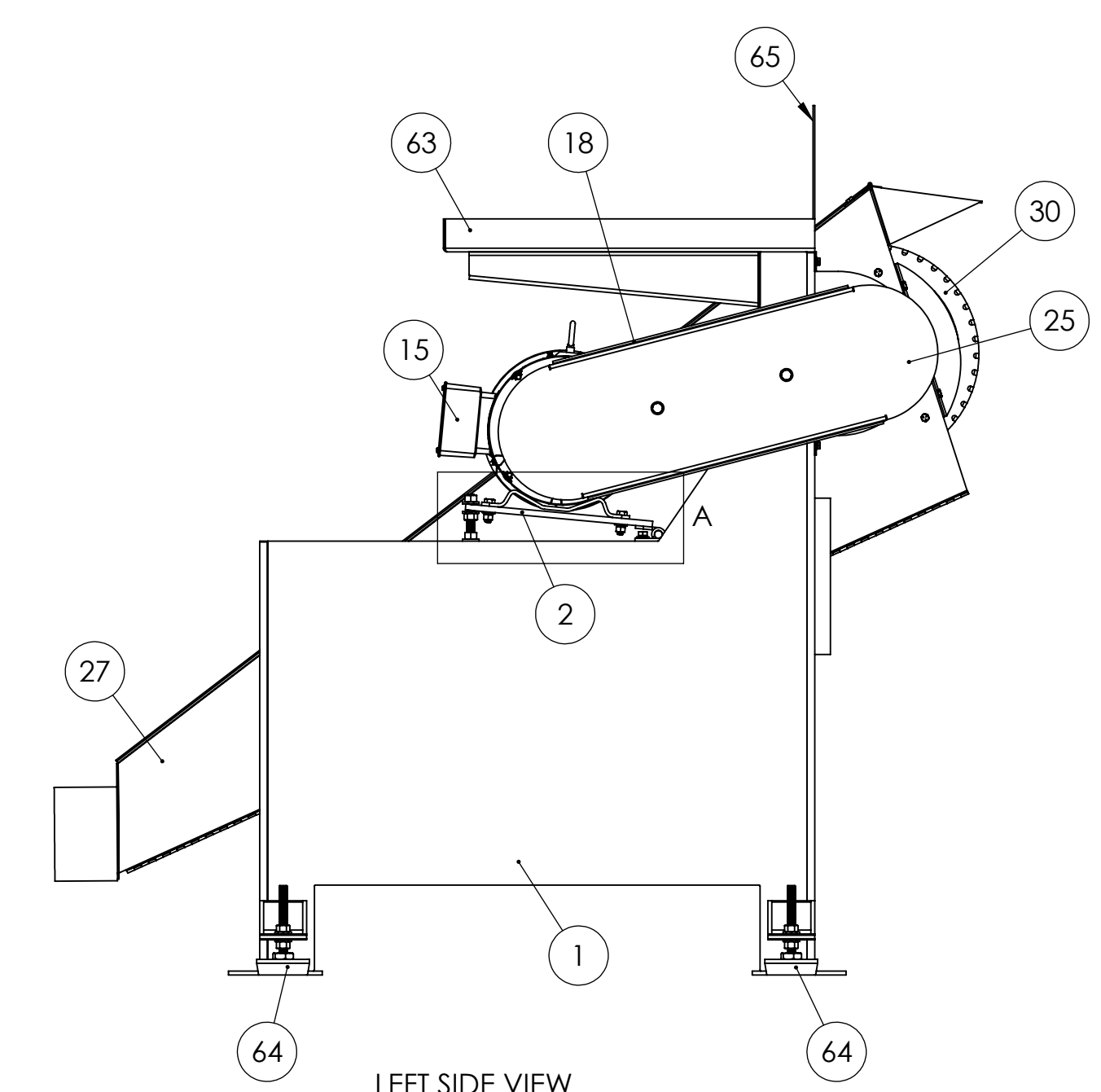
DETAIL A
SCALE 1 : 2
MOTOR MOUNT BRACKET DETAILS



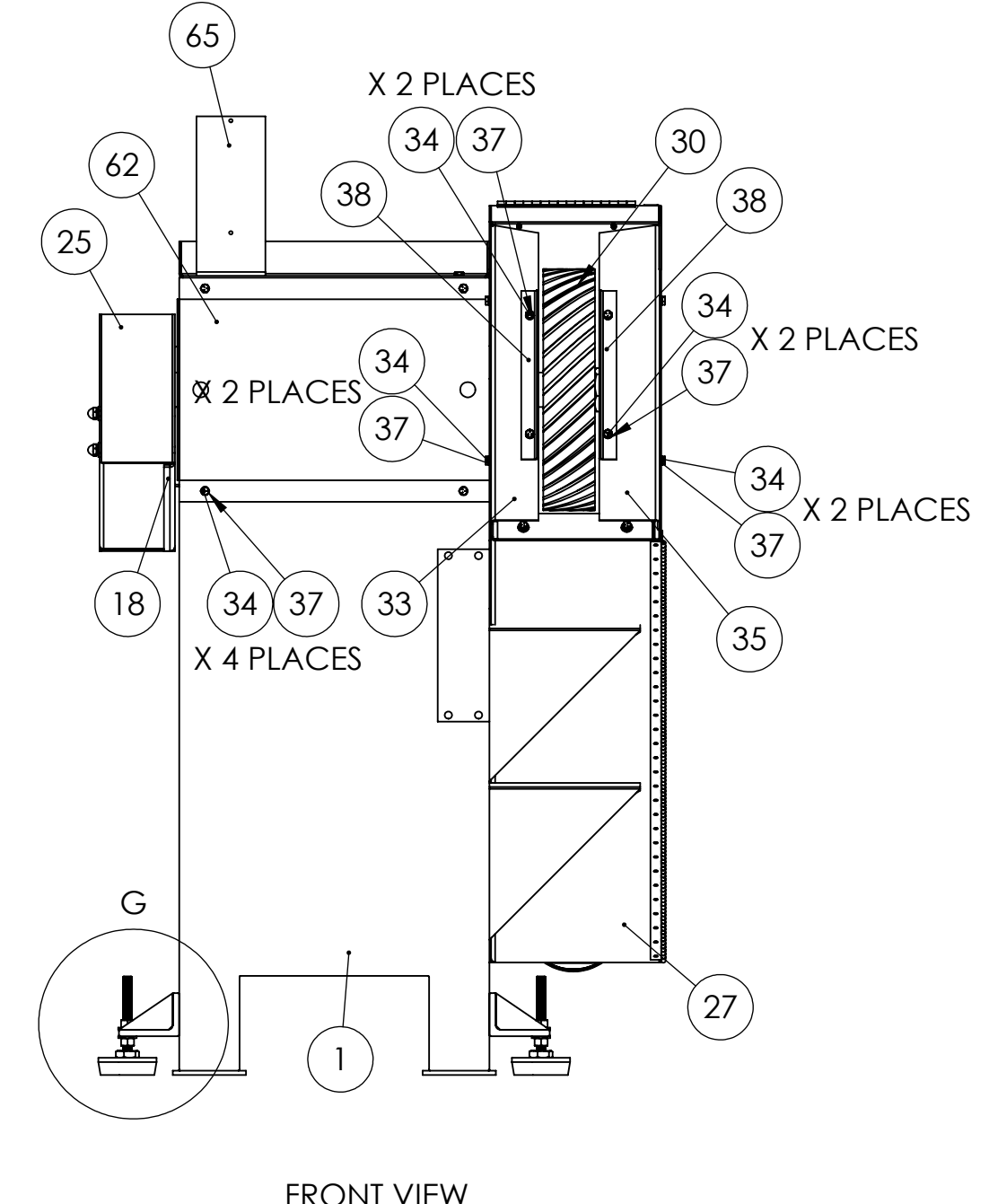
DETAIL D
SIDE VIEW OF IDLER ASSEMBLY



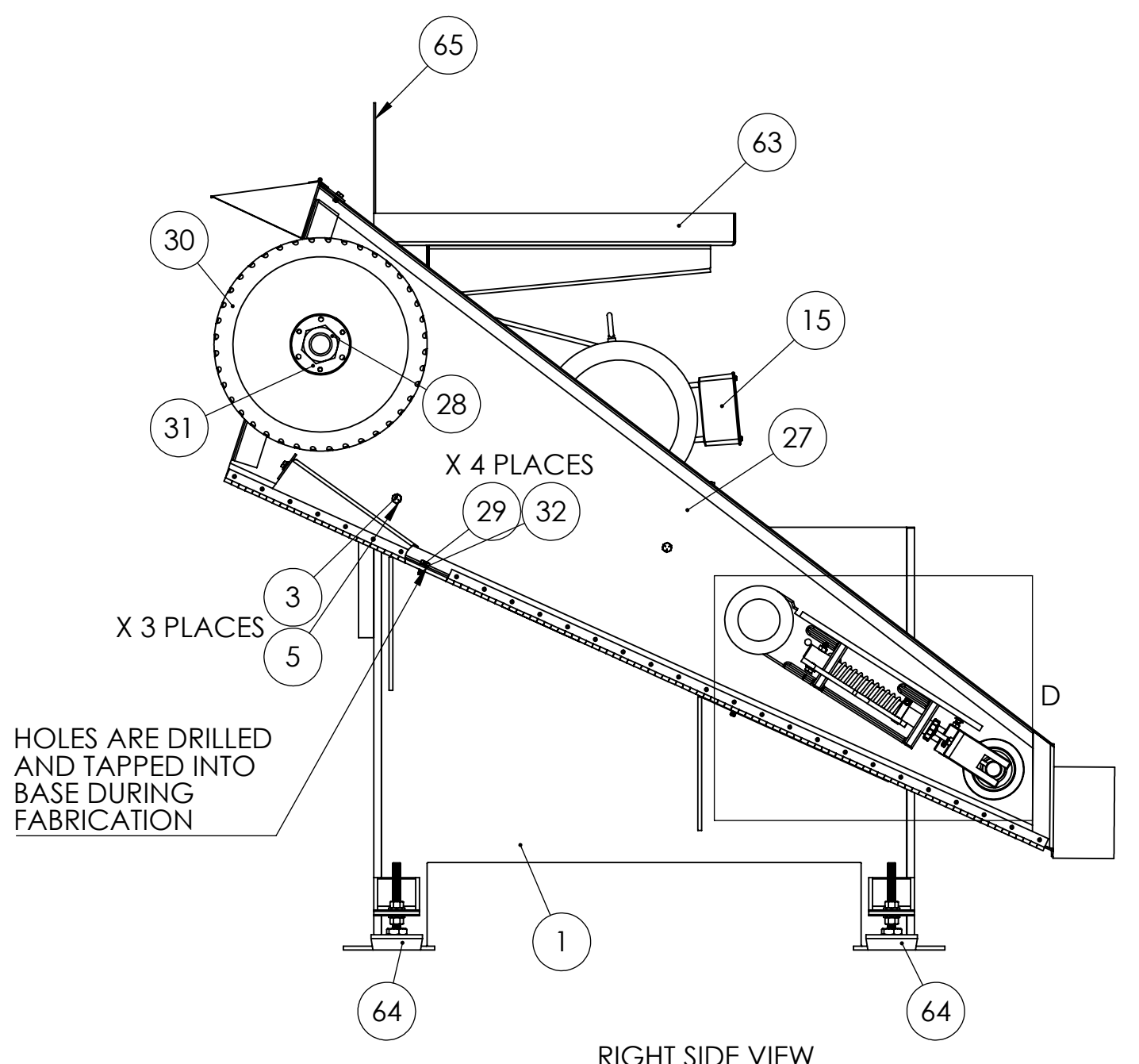
DETAIL E
TOP VIEW OF IDLER ASSEMBLY



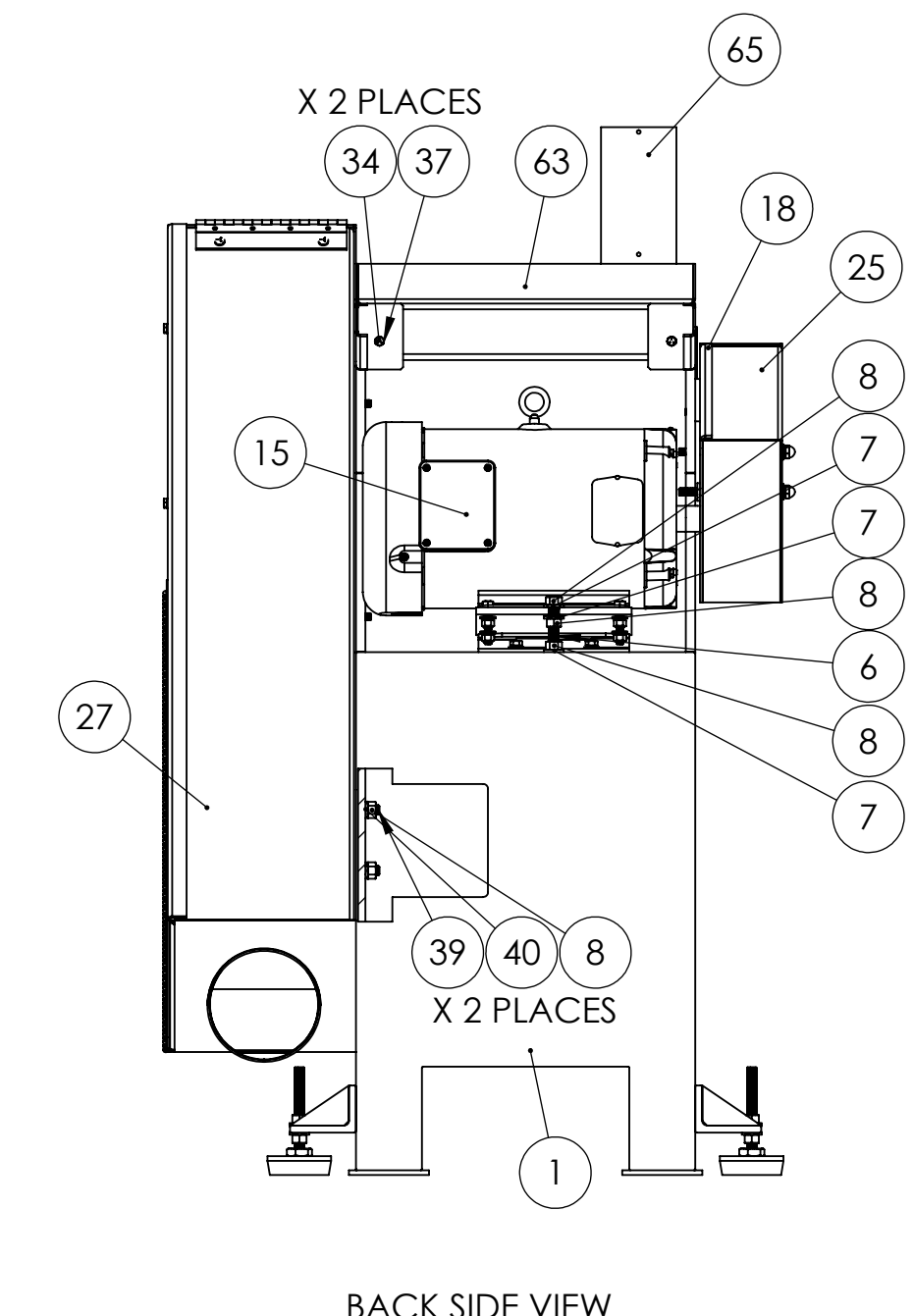
LEFT SIDE VIEW



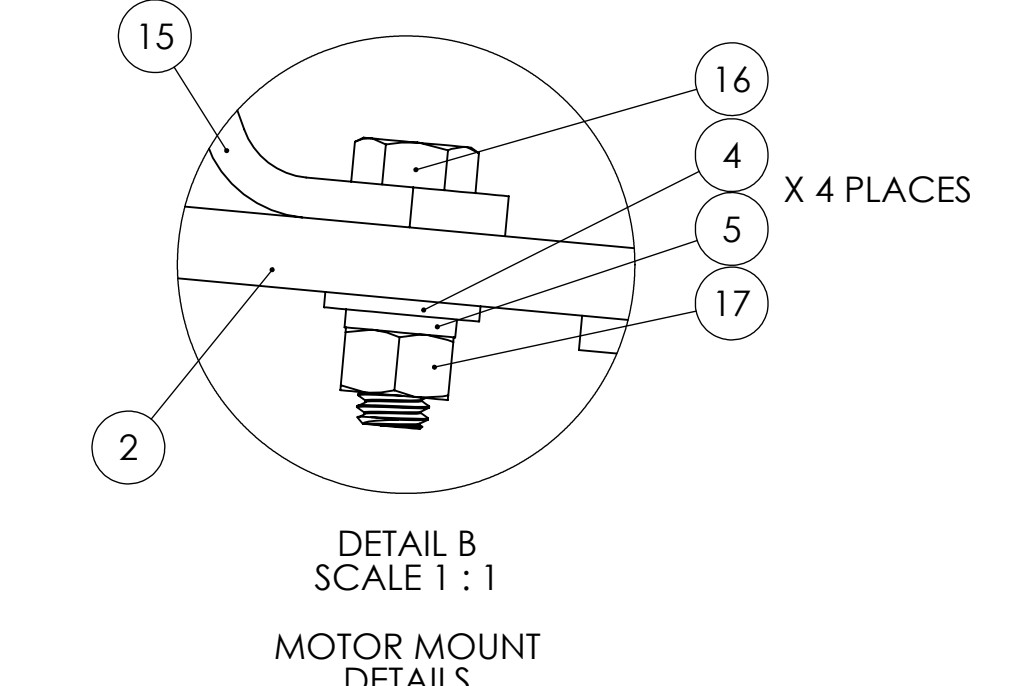
FRONT VIEW



RIGHT SIDE VIEW



BACK SIDE VIEW



DETAIL B
SCALE 1 : 1
MOTOR MOUNT DETAILS

| ITEM NO. | PART NUMBER | DESCRIPTION | QTY. |
|----------|-------------------------|---|------|
| 1 | 716-029PLATE | BG14 STAND ASSEMBLY, MADE FROM 1/2 INCH PLATE | 1 |
| 2 | 486-078 | MOTOR MOUNT ASSEMBLY FOR BG14 AND BG214 | 1 |
| 3 | HHC5037016 | 3/8-16 X 1 HHCS GR5 Z | 8 |
| 4 | UFWZ037 | 3/8 USS F/W Z | 11 |
| 5 | SLWZ037 | 3/8 SPLIT L/W Z | 14 |
| 6 | RND0.5 13THRDRODX3.75 | 3-3/4 INCHES OF RND-1/2-13 THRD ROD | 1 |
| 7 | UFWZ050 | 1/2 USS F/W Z | 11 |
| 8 | FHN5050 | 1/2-13 FHN GR5 Z | 15 |
| 9 | 044-037 | PILOW BLOCK BEARING FOR BG14 AND BG214 | 2 |
| 10 | HHC8076032 | 3/4-16 X 2 HHCS GR8 YEL/ZN | 4 |
| 11 | SFW8075 | 3/4 SAE F/W GR8 YL/ZN | 4 |
| 12 | SLW8075 | 3/4 L/W GR8 YL/ZN | 4 |
| 13 | 701-016 | DRIVE SPINDLE FOR BG14 WITH WIDER GUARD | 1 |
| 14 | SC200D | SC200D 2" SPLIT COLLAR | 2 |
| 15 | 486-019 | 10HP MOTOR FOR K16-18, KM16-18, BG14 | 1 |
| 16 | HHC5037020 | 3/8-16 X 1-1/4 HHCS GR5 Z | 4 |
| 17 | FHN5037 | 3/8-16 FHN GR5 Z | 10 |
| 18 | 342-101A | INNER V BELT GUARD FOR BG14 | 1 |
| 19 | BUCKQN3316 | 3/8-16 WELD NUT STEEL TAB PROJECTION | 1 |
| 20 | RND0.375-16THRDRODX6. | 6 INCHES OF RND-3/8-16 THRD ROD | 2 |
| 21 | 3862SD | SPINDLE AND MOTOR SHEAVE FOR BG14 | 2 |
| 22 | 049-117 | SPINDLE PULLEY BUSHING FOR BG14 | 1 |
| 23 | 049-072 | MOTOR PULLEY BUSHING FOR BG214 | 1 |
| 24 | 051-133 | V BELT FOR BG14 | 3 |
| 25 | 342-101 | OUTER V-BELT GUARD FOR BG14 | 1 |
| 26 | CPNZ037 | 3/8-16 CAP NUT NICKEL | 2 |
| 27 | 342-110 | BELT GUARD FOR BG14 | 1 |
| 28 | FHN5151 | Medium-Strength Steel Hex Nut | 1 |
| 29 | HHC5031012 | 5/16-18 X 3/4 HHCS GR5 Z | 4 |
| 30 | 936-027 | 14 DIA X 3 WIDE X 1.25 BORE C130 STYLE CONTACT WHEEL | 1 |
| 31 | 049-011 | BUSHING FOR K20FS AND K26 SPINDLE PULLEY | 1 |
| 32 | SLWZ031 | 5/16 SPLIT L/W Z | 4 |
| 33 | 342-110THROAT-L.H.3INCH | L.H. THROAT GUARD (3 INCH WHEEL) FOR BG14 BELT GUARD | 1 |
| 34 | HHC5025008 | 1/4-20 X 1/2 HHCS GR5 Z | 17 |
| 35 | 342-110THROAT-R.H.3INCH | R.H. THROAT GUARD (3 INCH WHEEL) FOR BG14 BELT GUARD | 1 |
| 36 | BUCKSN2113 | 1/4-20 TAB WELD SPOT NUT OFFSET | 4 |
| 37 | SLWZ025 | 1/4 SPLIT L/W Z | 17 |
| 38 | 342-110B | WHEEL, SIDE GUARD (UNIVERSAL) FOR BG14 BELT GUARD | 2 |
| 39 | IDLER ASSEMBLY STUD | 4 INCHES OF 1/2-13 THREADED ROD TO ATTACH IDLER ASSEMBLY TO BG214 STAND | 2 |
| 40 | SLWZ050 | 1/2 SPLIT L/W Z | 4 |
| 41 | IDLER ASSEMBLY SPACER | SPACER FOR IDLER ASSEMBLY FOR BG14 AND BG214 | 2 |
| 42 | 291-004 | CAST IRON FRAME FOR S6M, S612 SANDERS | 1 |
| 43 | 960-006YA | YOKE WITH TENSION SHAFT FOR S6 SANDERS | 1 |
| 44 | 697-035 | BG14 IDLER BELT TENSION SPRING | 1 |
| 45 | 455-002 | TENSION RELEASE LEVER FOR BG14 TRACKING HEAD | 1 |
| 46 | HHT5031032 | 5/16-18X2 HEX HEAD TAP BOLT GR5 ZINC | 1 |
| 47 | FHN5031 | 5/16-18 FHN GR5 ZINC | 2 |
| 48 | BWWA031 | 5/16 BOWED SPRING WASHER 21/64 | 1 |
| 49 | UFWZ031 | 5/16 USS F/W Z | 1 |
| 50 | CRBZ025032 | 1/4-20 X 2 CARRIAGE BOLT ZINC PLATED | 2 |
| 51 | FHN5025 | 1/4-20 FHN GR5 Z | 2 |
| 52 | 563-002 | S6 BELT PLATEN | 1 |
| 53 | 560-016S | ALUMINIUM IDLER PULLEY W STEEL JACKET FOR 6" SANDER. INCLUDES PULLEY AND BEARINGS | 1 |
| 54 | 701-019N | S6 IDLER SPINDLE- NEW STYLE | 1 |
| 55 | 123-016 | S6 IDLER PULLEY LOCK COLLAR | 2 |
| 56 | SSKA025004 | 1/4-20 X 1/4 SOC SET KNURL PT. | 2 |
| 57 | ROLA018032 | 3/16 X 2 ROLL PIN | 1 |
| 58 | DOWA025032 | 1/4 X 2 DOWEL PIN | 1 |
| 59 | 441-014 | TRACKING KNOB ASSEMBLY | 1 |
| 60 | FSCA031016 | 5/16-18 X 1 FSHCS | 2 |
| 61 | SC100D | SC100D 1" 2PC SPLIT COLLAR | 1 |
| 62 | 342-114 | SPINDLE BEARING GUARD FOR BG14 | 1 |
| 63 | 716-029TRAY | TOP TRAY FOR BG14 WITH PLATE FRAME | 1 |
| 64 | 455-016 | LEVELER PAD ASSEMBLY | 4 |
| 65 | 041-057 | SWITCH BRACKET FOR K12-K14 | 1 |

UNLESS OTHERWISE SPECIFIED:
DIMENSIONS ARE IN INCHES
TOLERANCES:
FRACTIONS ± .005
DECIMALS ± .001
THREE PLACE DECIMAL ± .0005
INTERFERE GEOMETRIC TOLERANCES PER ASME Y14.5-2009
DATE: _____
NAME: _____
TITLE: **BG14 WITH STAND MADE FROM PLATE**
SCALE: 1:5 WEIGHT: _____ SHEET 1 OF 1

PROPRIETARY/CONFIDENTIAL
THIS INFORMATION CONTAINED HEREIN IS THE PROPERTY OF KALAMAZOO TOOL & DIE COMPANY. IT IS TO BE KEPT CONFIDENTIAL AND NOT REPRODUCED OR TRANSMITTED IN ANY FORM OR BY ANY MEANS, ELECTRONIC OR MECHANICAL, INCLUDING PHOTOCOPYING, RECORDING, OR BY ANY INFORMATION STORAGE AND RETRIEVAL SYSTEM, WITHOUT THE WRITTEN PERMISSION OF KALAMAZOO TOOL & DIE COMPANY.

APPICATION: _____
USED ON: _____
DATE: _____
SCALE: _____