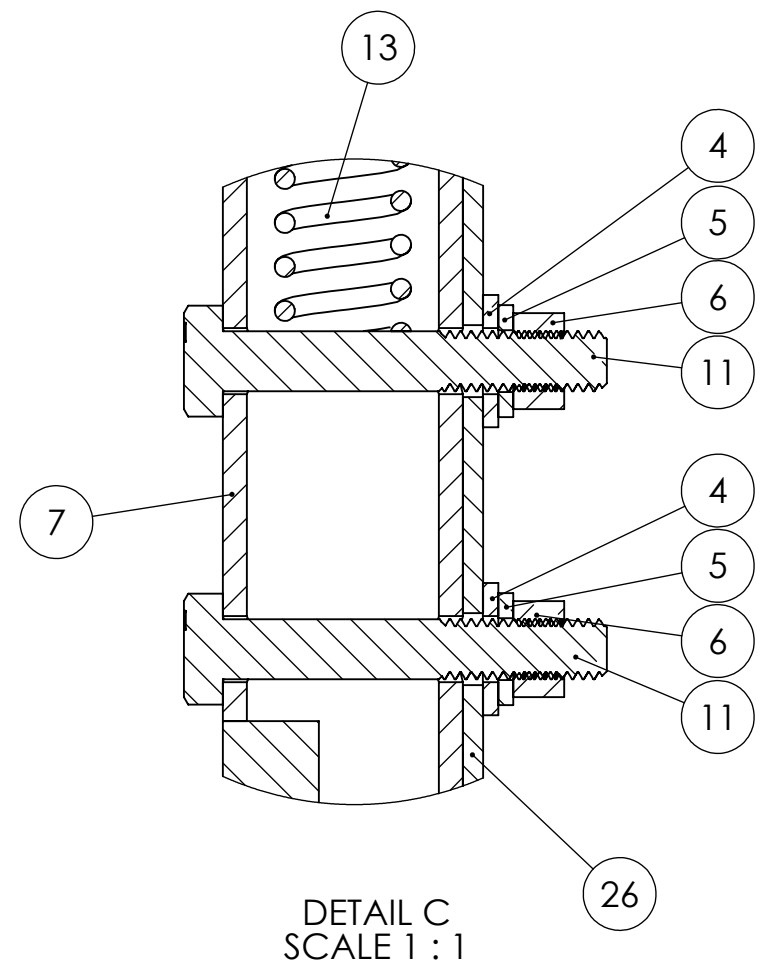
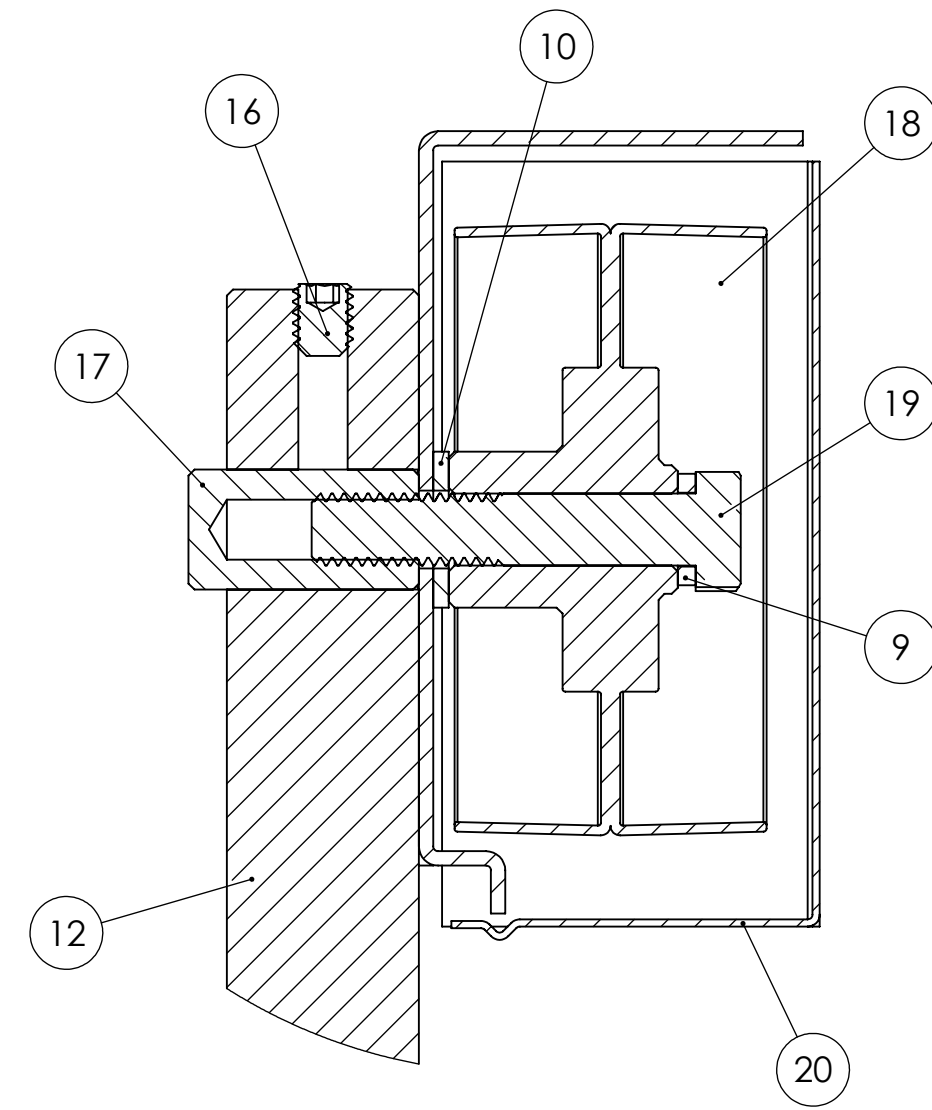


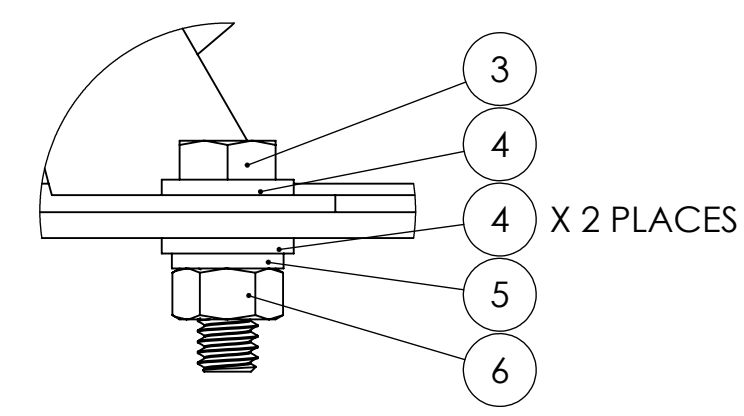
DETAIL B
SCALE 1 : 1
DRIVE PULLEY DETAILS



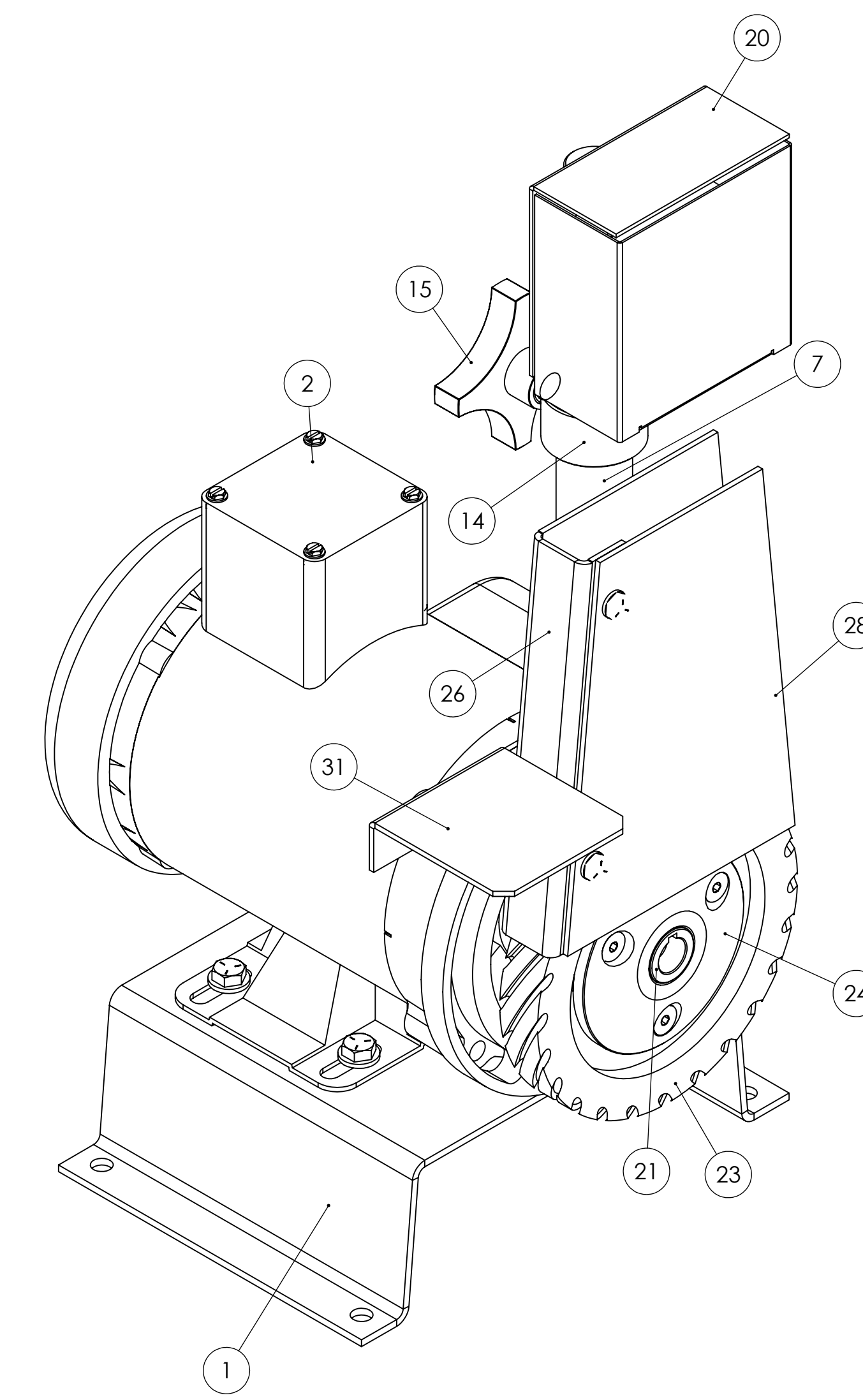
DETAIL C
SCALE 1 : 1
TENSION SPRINGS AND
PLATEN ATTACHMENT BOLTS



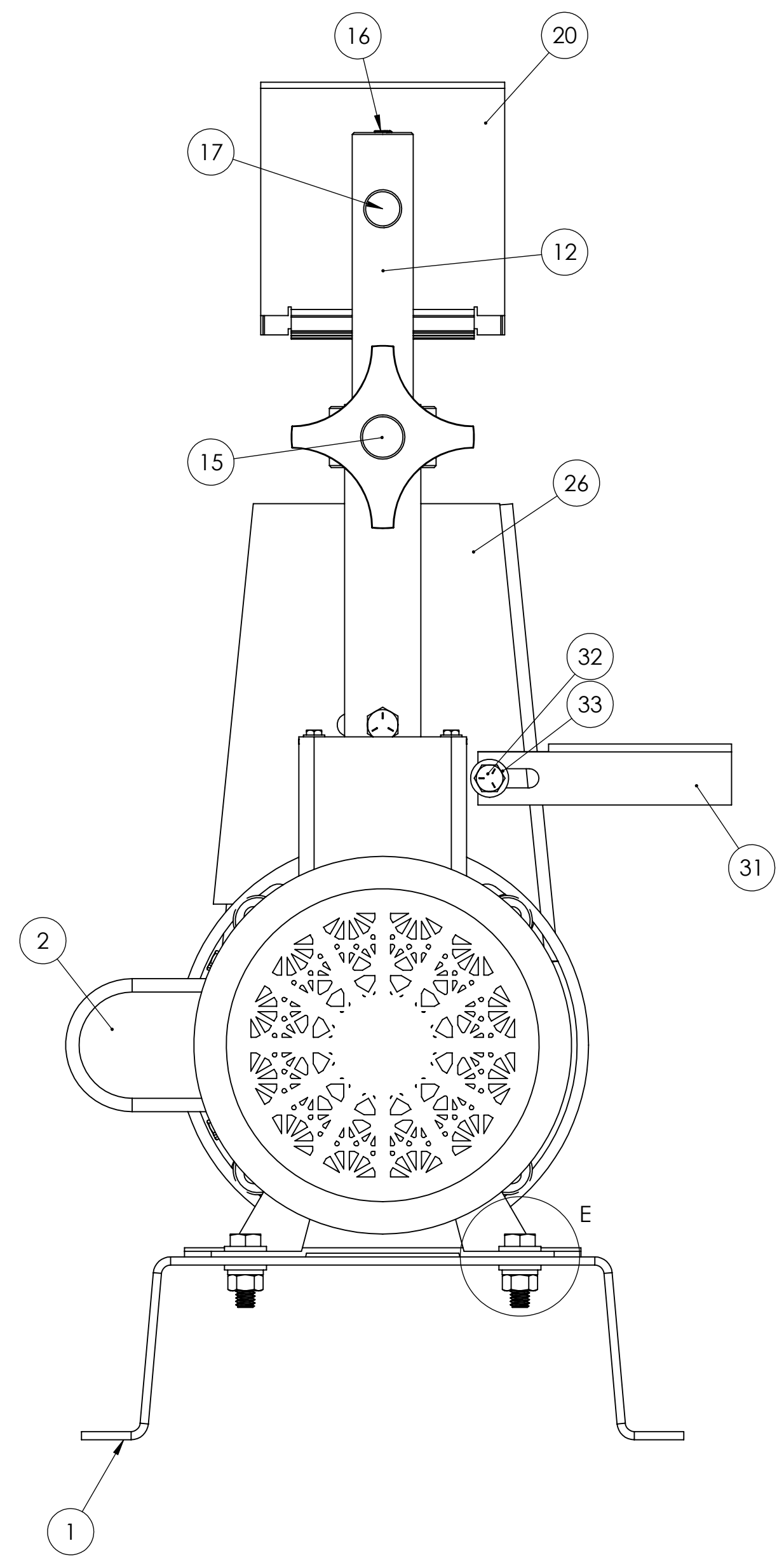
DETAIL D
SCALE 1 : 1
IDLER PULLEY DETAILS



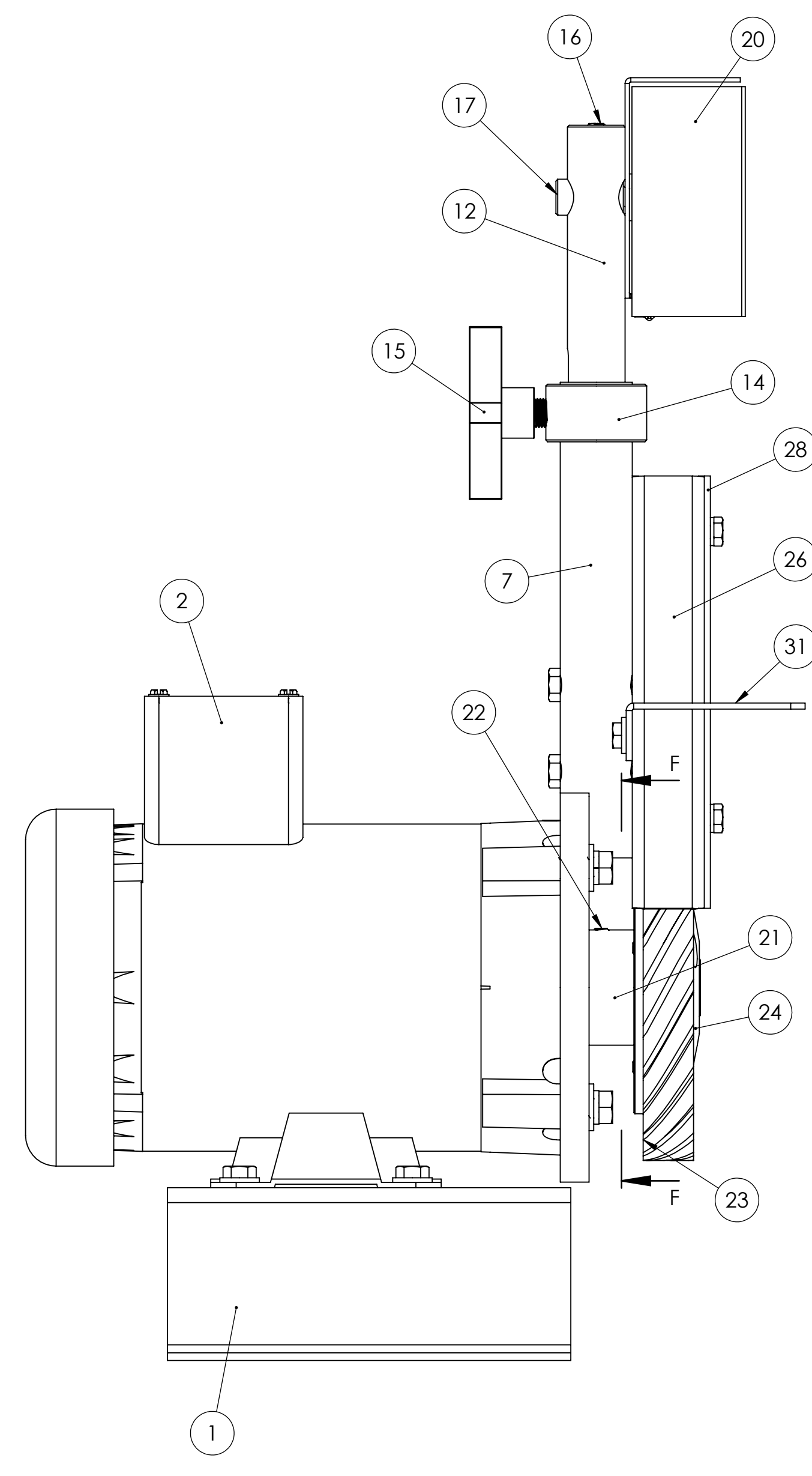
DETAIL E
SCALE 1 : 1
MOTOR MOUNT DETAILS



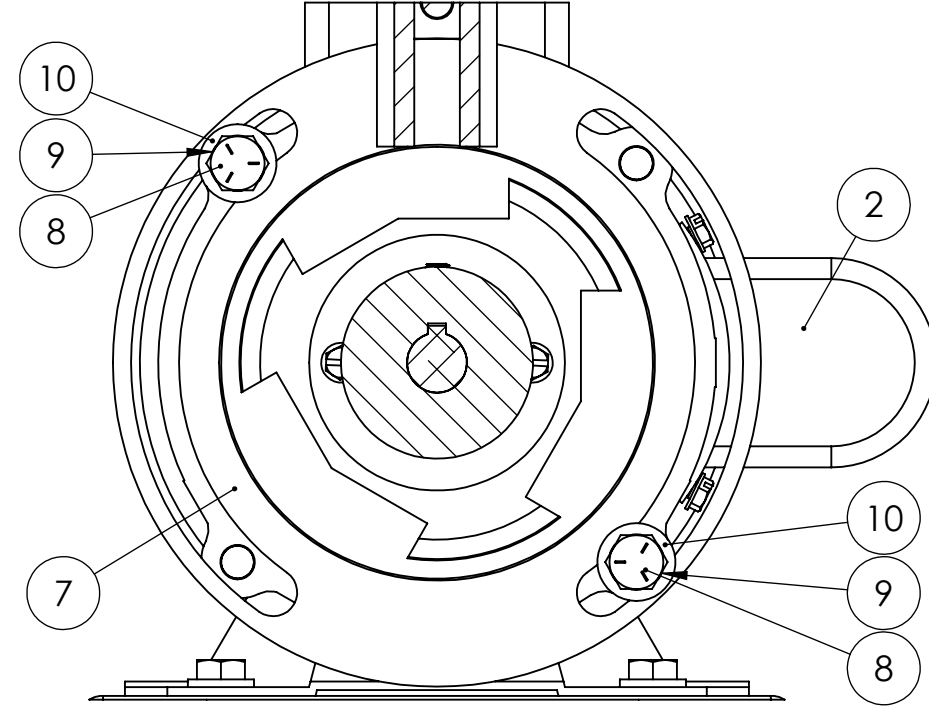
ITEM NO.	PART NUMBER	DESCRIPTION	QTY.
1	829-055	BASE FOR BG248 AND BG448 TO BENCH MOUNT MACHINE	1
2	486-077	1/2HP MOTOR FOR NEW STYLE 2FS72M AND BG248	1
3	HHC5031016	5/16-18 X 1 HHCS GR5 Z	4
4	UFWZ031	5/16 USS F/W Z	10
5	SLWZ031	5/16 SPLIT L/W Z	6
6	FHN5031	5/16-18 FHN GR5 ZINC	6
7	832-026	TUBE SUPPORT W/ RING FOR BG142	1
8	HHC5037020	3/8-16 X 1-1/4 HHCS GR5 Z	2
9	SLWZ037	3/8 SPLIT L/W Z	3
10	UFWZ037	3/8 USS F/W Z	3
11	HHC5031032	5/16-18 X 2 HHCS GR5 Z	2
12	645-008	TENSION ROD FOR 2FS, 2FSM, 2FS72, 2SK7 SANDERS	1
13	697-013	TENSION SPRING FOR 2FS, 2FS72, 2FSM, BG142, 2FS72M, K12-148	1
14	123-004	TRACKING COLLAR FOR 2FS, 2FS72, 2FSM, 2SK7, BG142	1
15	441-011	TRACKING KNOB FOR 2FS, 2FS72, 2FSM, 2SK7 SANDERS	1
16	SSKA031006	5/16-18 X 3/8 SOC SET KNURL PT.	1
17	004-006	ADAPTOR FOR 936-003 IDLER PULLEY	1
18	560-018	1SM IDLER PULLEY	1
19	HHC5037032	3/8-16 X 2 HHCS GR5 Z	1
20	342-087	1SM, 1SK6 GUARD FOR IDLER PULLEY	1
21	292-049	WHEEL ADAPTOR HUB (TIGHT FLANGE) FOR BG142	1
22	SSKA025004	1/4-20 X 1/4 SOC SET KNURL PT.	1
23	936-034	CONTACT WHEEL DRIVE (6 X 7/8) FOR BG142	1
24	292-050	OUTER WHEEL ADAPTOR (LOOSE FLANGE) FOR BG142	1
25	FSCA025016	1/4-20 X 1 FSHCS	3
26	563-045	PLATEN FOR BG142 W/ SIDE PLATE	1
27	BUCKND2116	1/4-20 TAB SPOT WELD NUT	1
28	563-045SP	SIDE PLATE FOR BG142 PLATEN	1
29	HHC5025008	1/4-20 X 1/2 HHCS GR5 Z	2
30	SLWZ025	1/4 SPLIT L/W Z	2
31	829-013	1SM WORK TABLE	1
32	HHC5025012	1/4-20 X 3/4 HHCS GR5 Z	1
33	UFWZ025	1/4 USS F/W Z	1



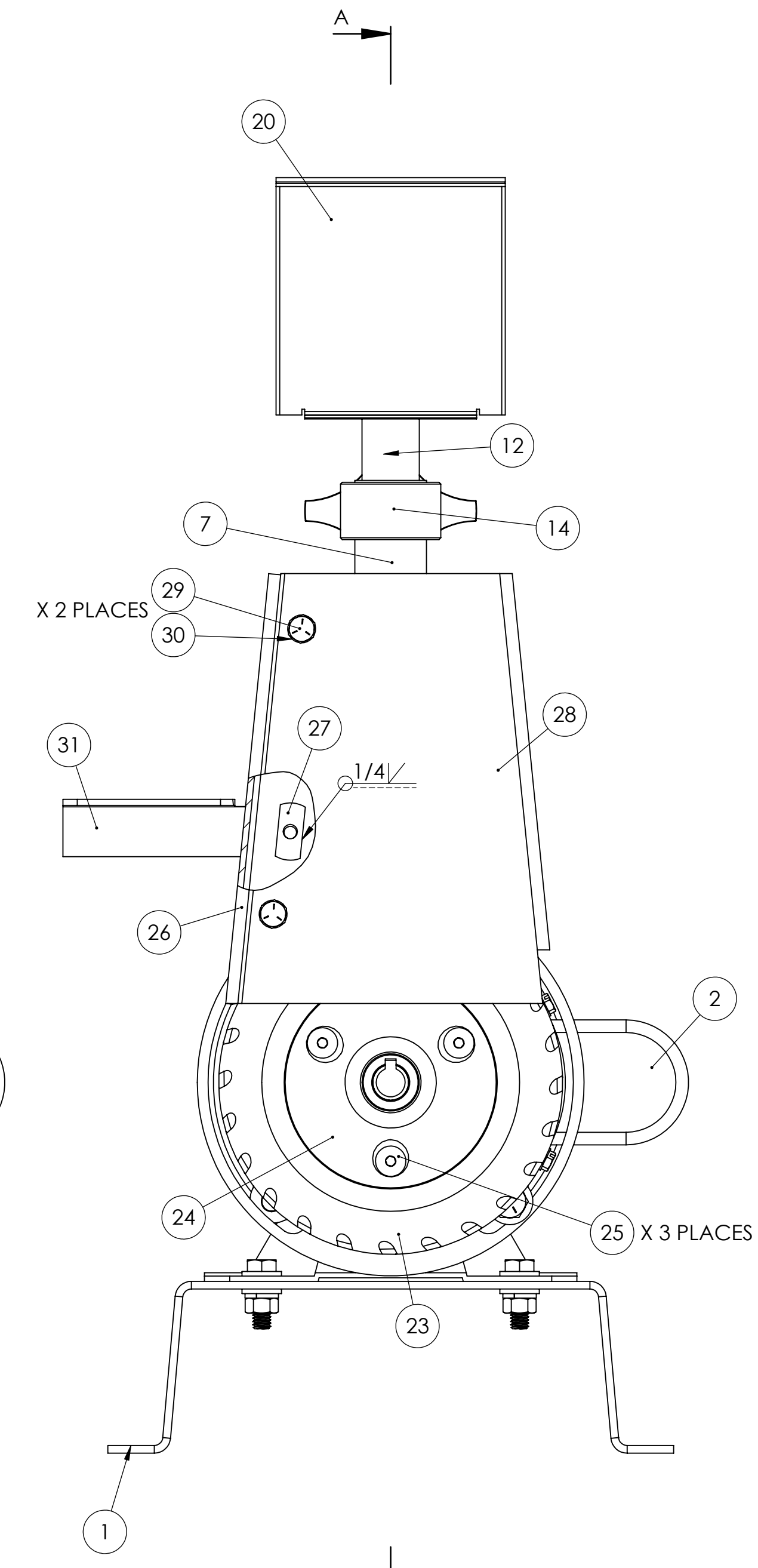
LEFT SIDE VIEW



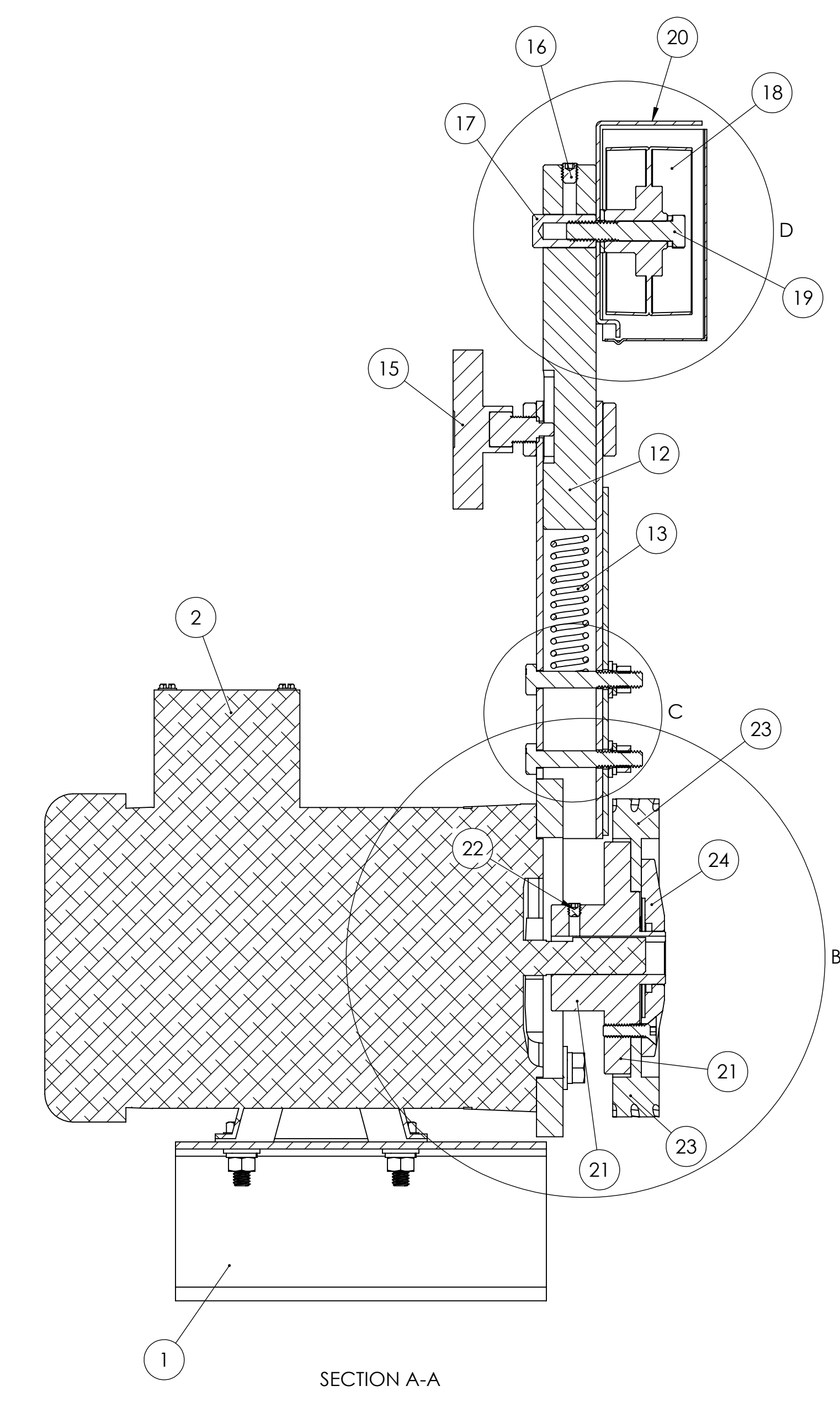
FRONT VIEW



SECTION F-F
ATTACHING TUBE SUPPORT W RING
TO MOTOR



RIGHT SIDE VIEW



SECTION A-A

UNLESS OTHERWISE SPECIFIED:
DIMENSIONS ARE IN INCHES
TOLERANCES:
FRACTIONS ± .005
ANGULAR ± .0315
THREE PLACE DECIMAL ± .0005
TWO PLACE DECIMAL ± .005
HORIZONTAL
VERTICAL
DIA.
COMMENTS:

PROPERTY AND CONFIDENTIAL
THIS INFORMATION CONTAINED IN THIS DRAWING IS THE SOLE PROPERTY OF KALAMAZOR. IT IS TO BE USED ONLY FOR THE PURPOSES SPECIFIED HEREIN. NO PART OF THIS DRAWING IS TO BE REPRODUCED IN ANY MANNER WITHOUT THE WRITTEN PERMISSION OF KALAMAZOR. ANY VIOLATION OF THIS NOTICE IS PROHIBITED.

DO NOT SCALE DRAWING

DATE	BY	CHKD	APPV

TITLE:
1/2HP, 1PH, 5400SFPM 1" X 42" MULTI POSITION BELT GRINDER

SIZE: DWG. NO. **E BG142** REV

SCALE: 1:2 WEIGHT: SHEET 1 OF 1