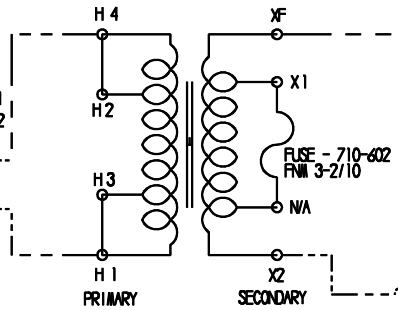


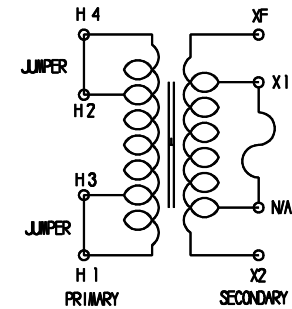
WIRING SCHEMATIC FOR S8 HW SANDER 3 PHASE POWER

TRANSFORMER

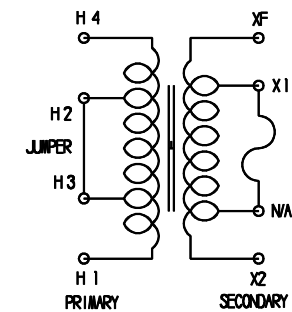
240 VOLT FUSES - 710-605 - FND-R-1
480 VOLT FUSES - 710-606 - FND-R-1/2



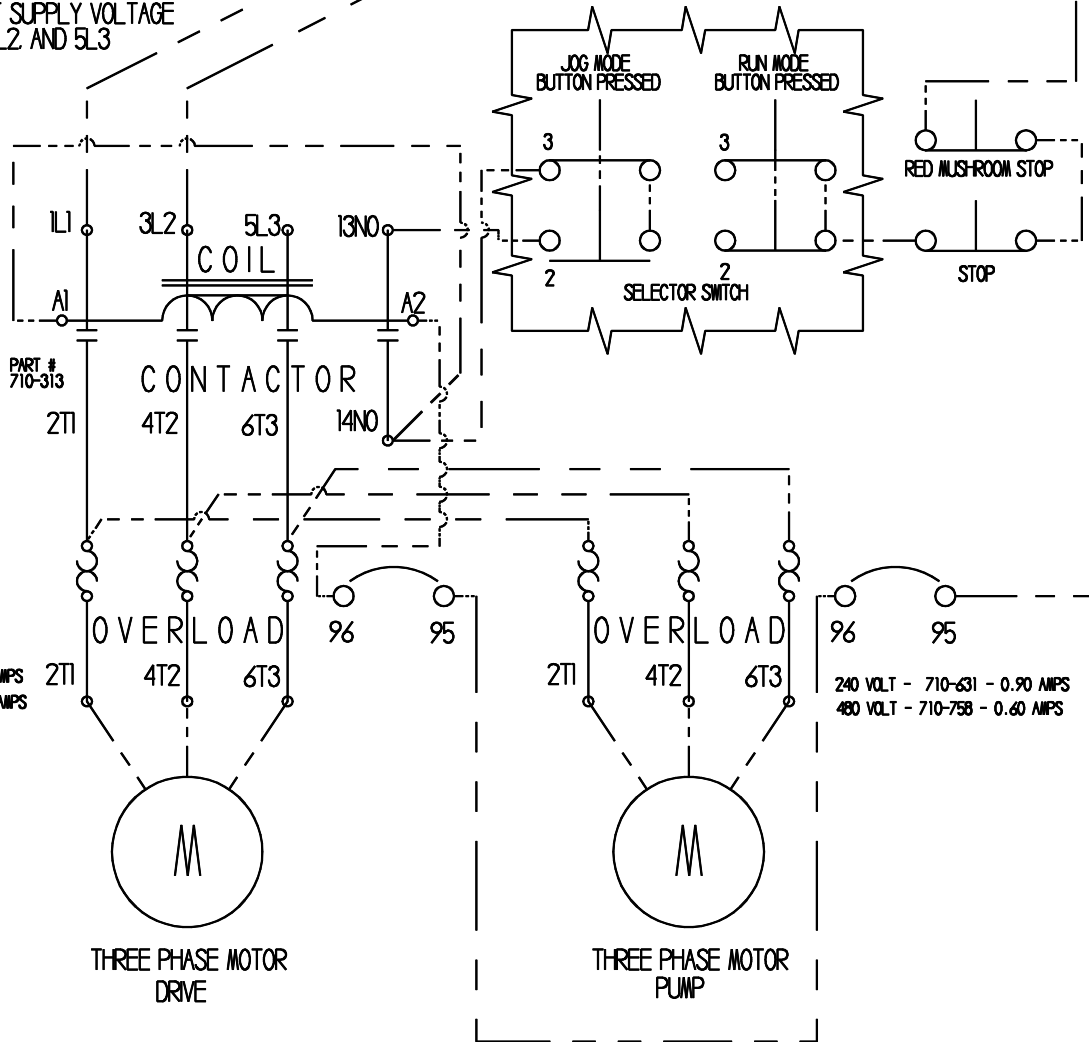
TRANSFORMER SET FOR 240 VOLT



TRANSFORMER SET FOR 480 VOLT



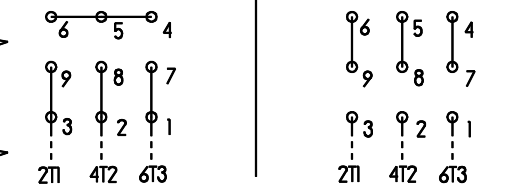
CONNECT SUPPLY VOLTAGE TO 1L1, 3L2 AND 5L3



240 VOLT - 710-638 - 22 AMPS
480 VOLT - 710-634 - 11 AMPS

240 VOLT - 710-631 - 0.90 AMPS
480 VOLT - 710-758 - 0.60 AMPS

MOTOR LEAD CONNECTION



3 PHASE LOW VOLTAGE INTERCHANGE TWO MOTOR LEADS TO REVERSE ROTATION 3 PHASE HIGH VOLTAGE

Y
X