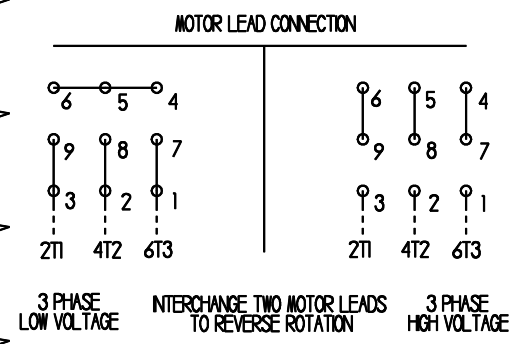
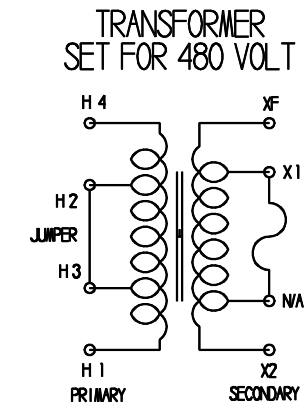
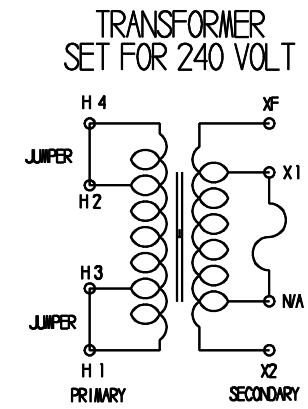
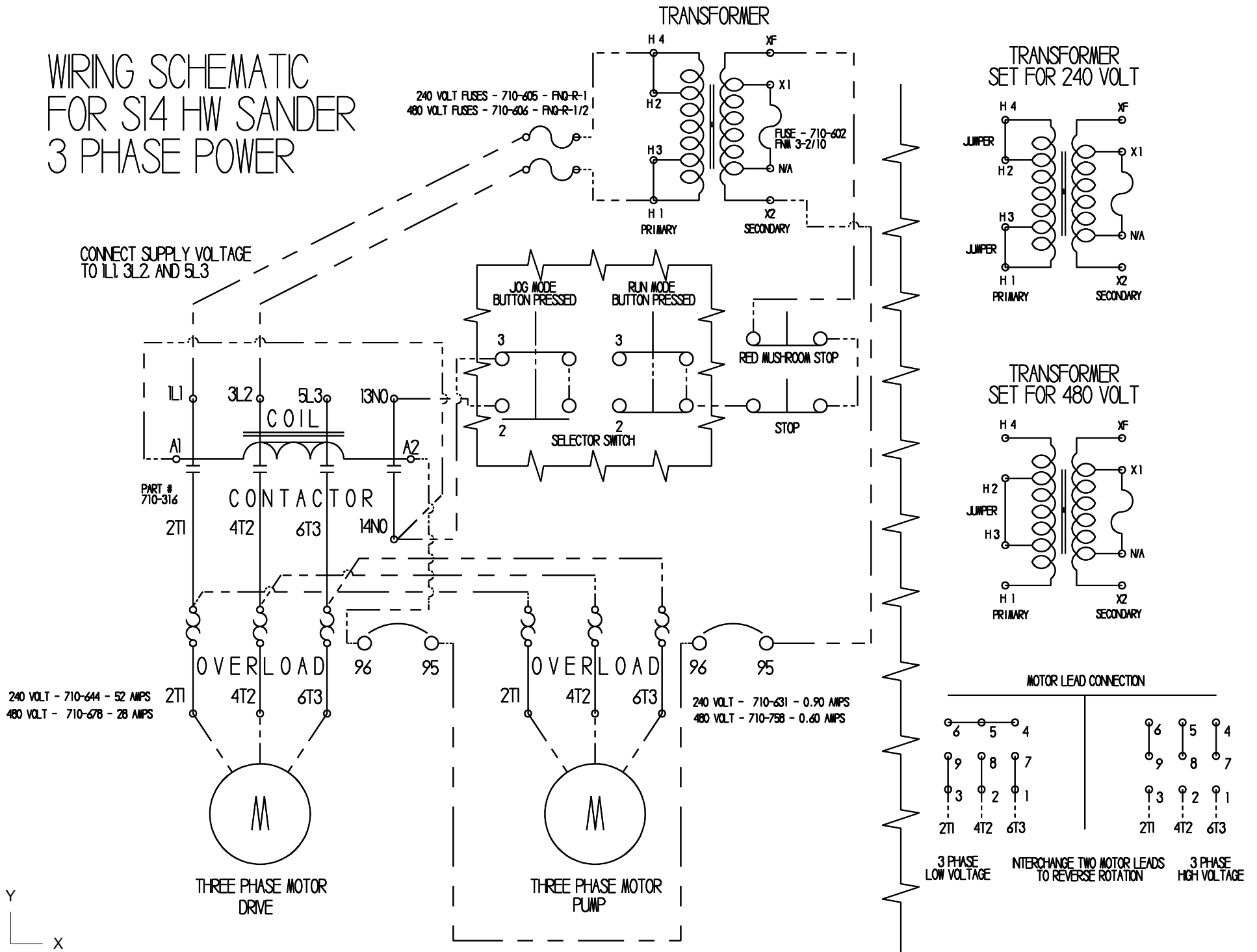


# WIRING SCHEMATIC FOR S14 HW SANDER 3 PHASE POWER



Y  
X