

KI **KALAMAZOO**
INDUSTRIES, INC.
KALAMAZOO, MI



PH: (269) 382-2050

www.kalamazooind.com

**1SMV BELT SANDER
WITH VACUUM
MANUAL**



MADE IN USA

KI **KALAMAZOO** INDUSTRIES, INC. KALAMAZOO, MI

PH: (269) 382-2050

www.kalamazooind.com

WARNING!

TO REDUCE THE RISK OF FIRE OR SHOCK HAZARD,
DO NOT EXPOSE THIS EQUIPMENT TO RAIN, ANY LIQUID OR MOISTURE.

INSPECTION

If these goods are damaged in transit, the **DELIVERING TRANSPORTATION COMPANY** is required by law to make notation of damages on the freight bill. If in your opinion, there may be concealed damage, they are required to make an inspection after goods are unpacked. Transportation rates are made in proportion to damage. Therefore, the carrier and **NOT** the shipper should be charged with any loss or damage. Any claim should be filled with the delivering **TRANSPORTATION COMPANY. PLEASE DO NOT RETURN GOODS TO US WITHOUT OUR RGA NUMBER AND SHIPPING INSTRUCTIONS.**

NOTE: SEE NEXT PAGE FOR RETURN POLICY AND WARRANTY.

IMPORTANT

Read Operating Instructions before using equipment.

OPERATING INSTRUCTION

1. **Disconnect power** before making any adjustments.
2. Abrasive belt rotation is counter-clockwise. If the abrasive belt is lap spliced be sure of the correct belt rotation. Butt spliced belts bi-directional.
3. Belt tension is pre-set with internal spring **(12)**. No belt tension adjustment is required.
4. To change belt **disconnect power**, loose tracking knob **(22)**, open belt guard **(23)**, compress spring belt tension by pushing down on tension shaft **(13)**, remove belt and replace with new belt of your choice.
5. Belt tracking- with power disconnected rotate belt by hand to center or "track" sanding belt. Rotate tracking knob **(22)** and tracking collar **(21)**, left and or right turns the tension shaft **(13)** to "track" the belt. Re-lock the tracking knob **(22)** to lock in belt tracking. Close belt guard **(23)** and reconnect connect power.

KI **KALAMAZOO**
INDUSTRIES, INC.
KALAMAZOO, MI



PH: (269) 382-2050

www.kalamazooind.com

WARRANTY

All products are guaranteed for a period of one year from receipt of order to the original purchaser, against defects in material workmanship under normal use. Electric motors are warranted by the motor manufacturer for a period of one year and will be repaired by the nearest motor repair station. If non-repairable, they will be replaced by Kalamazoo Industries. Please call for instructions (269) 382-2050.

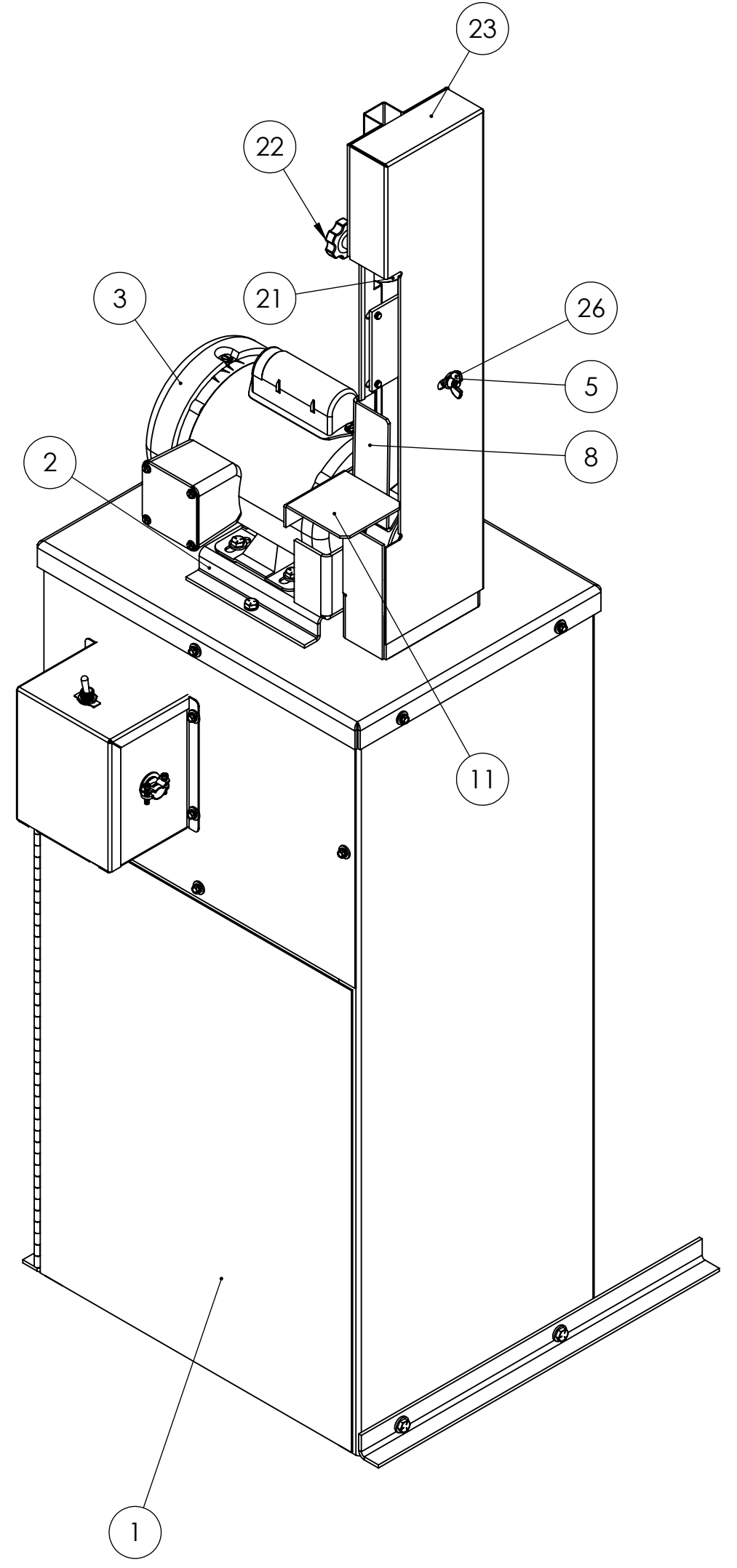
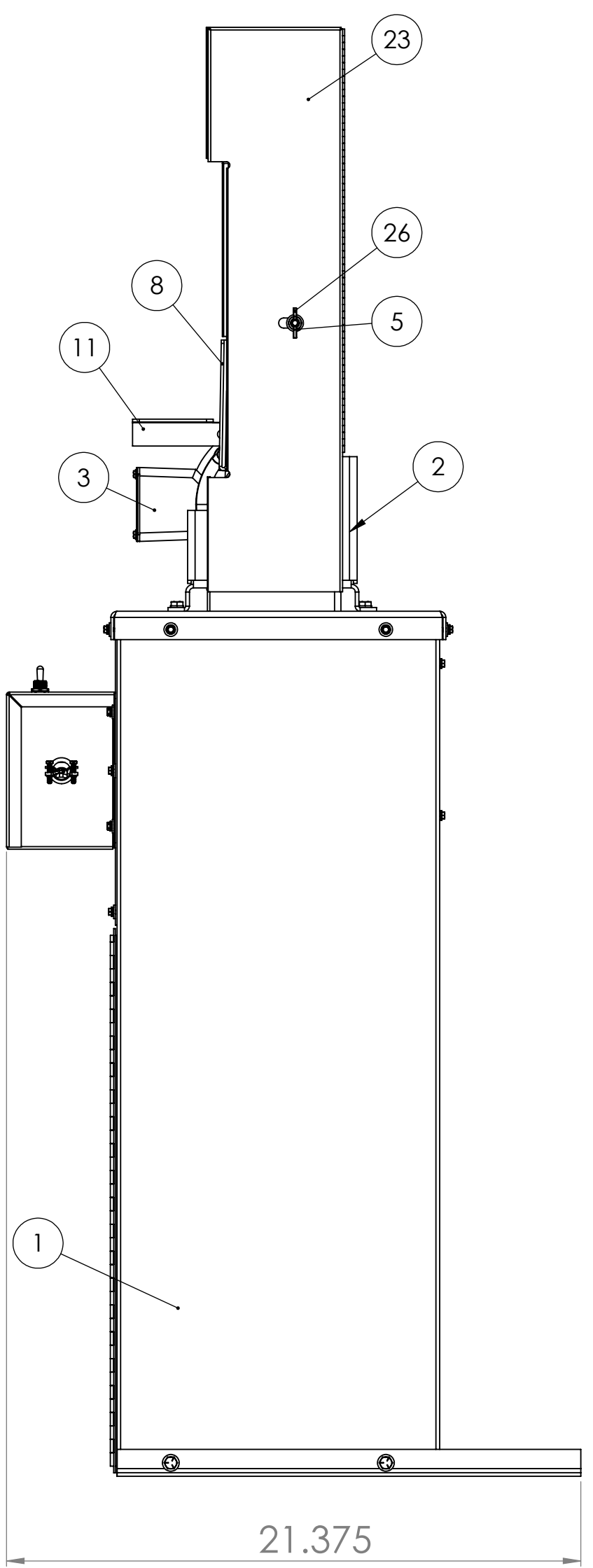
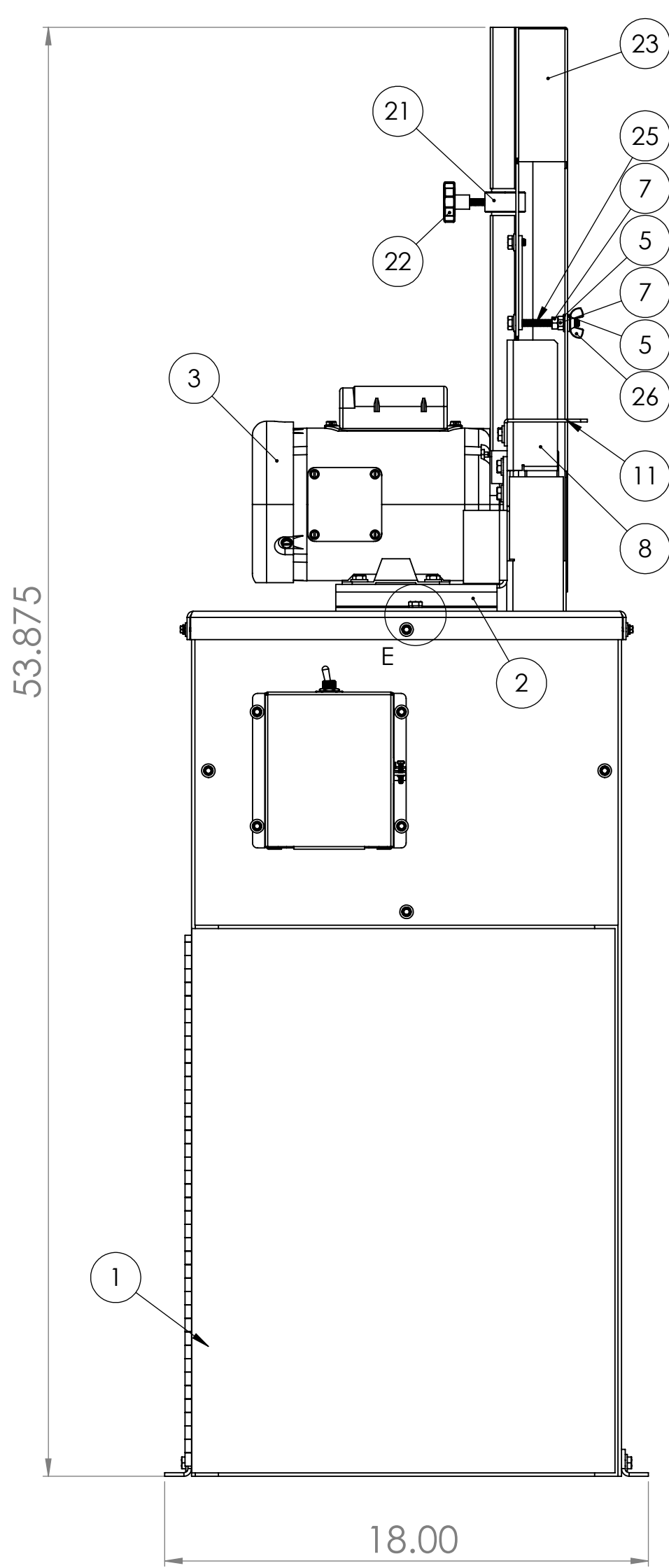
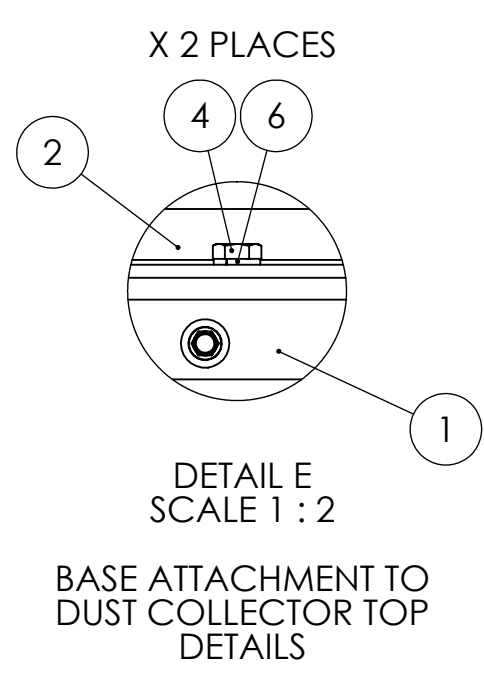
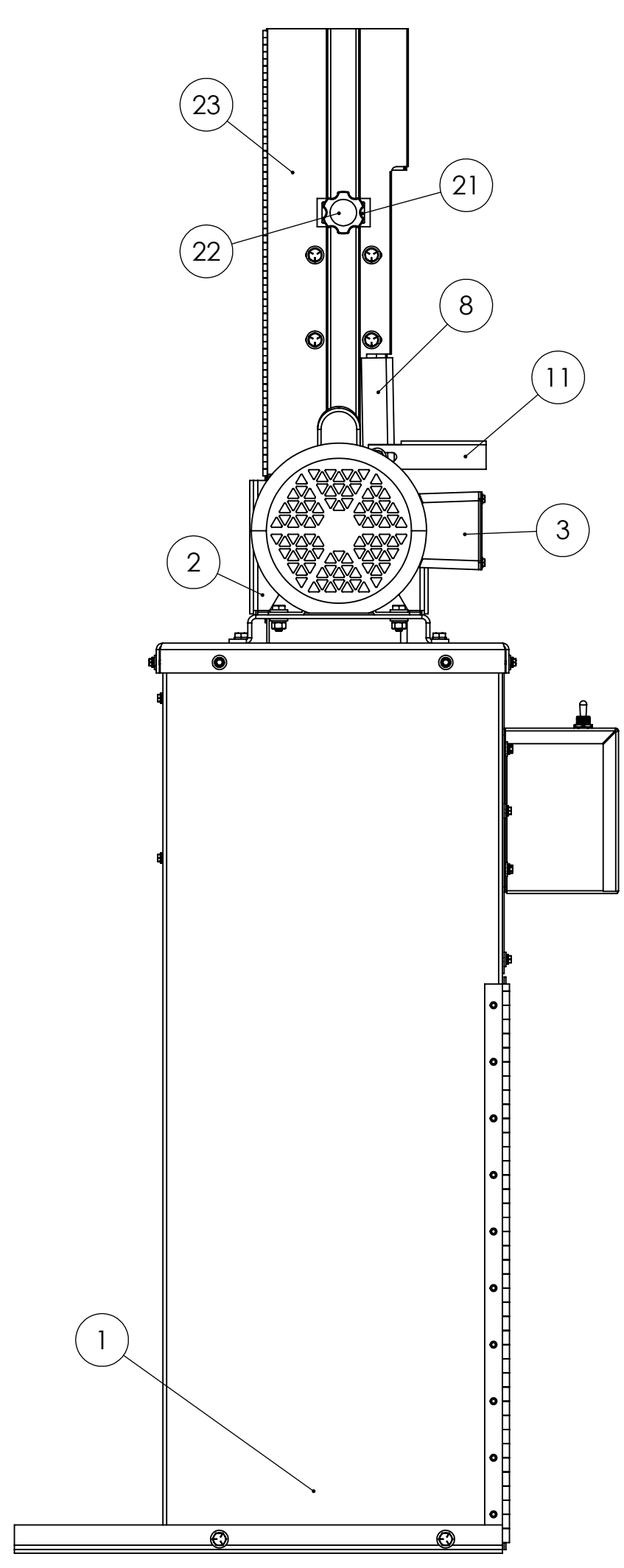
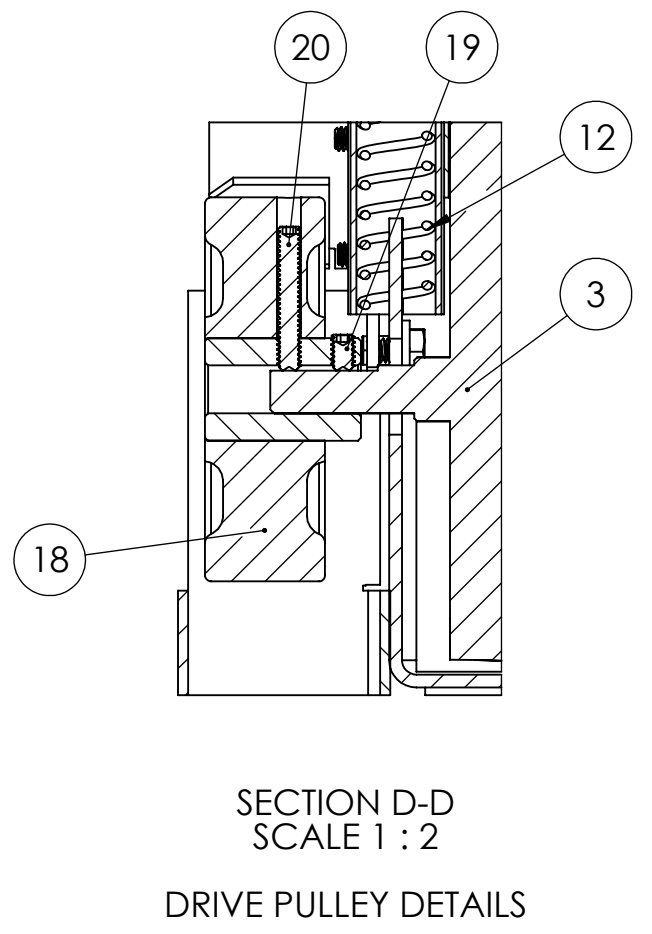
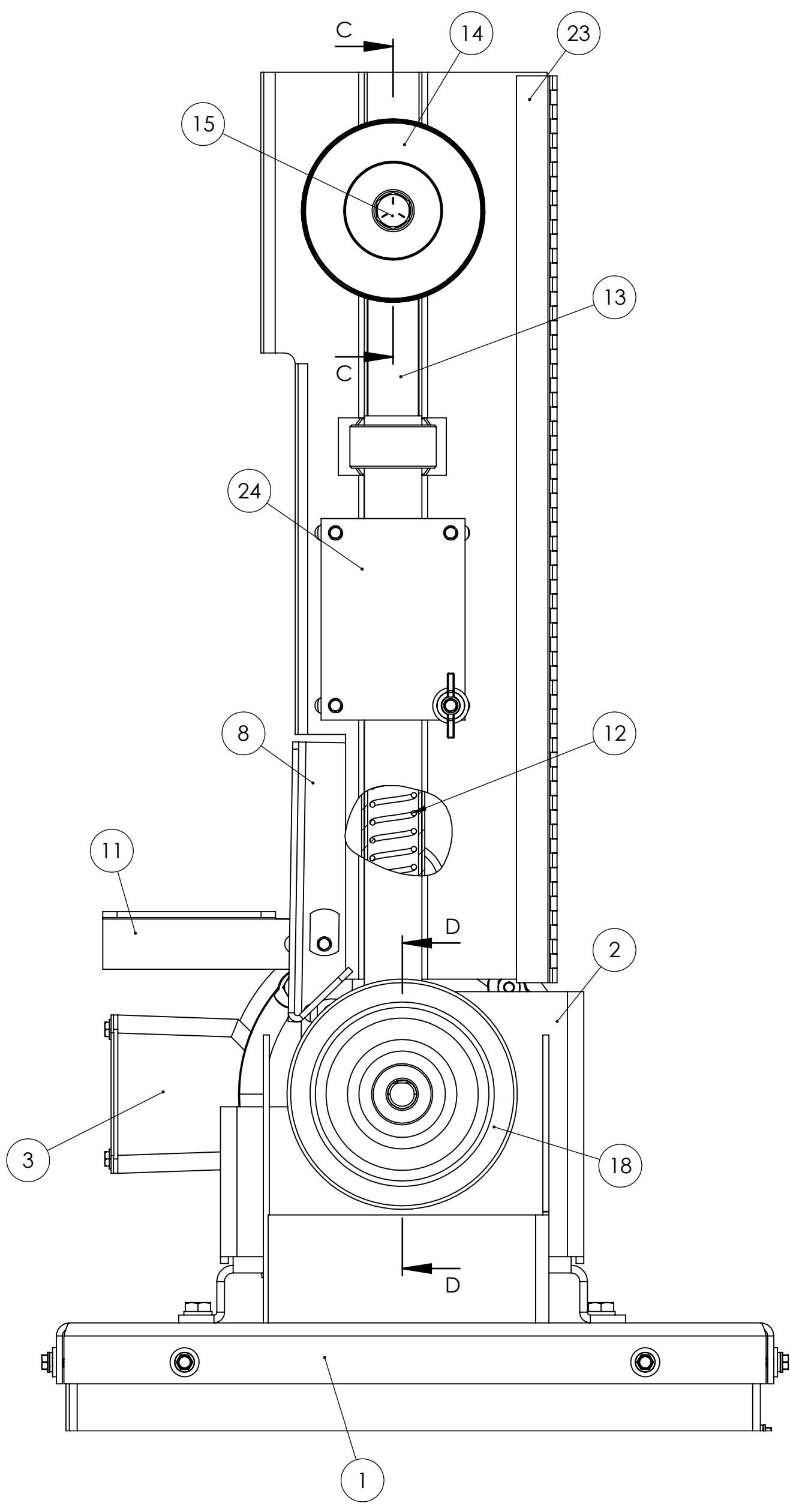
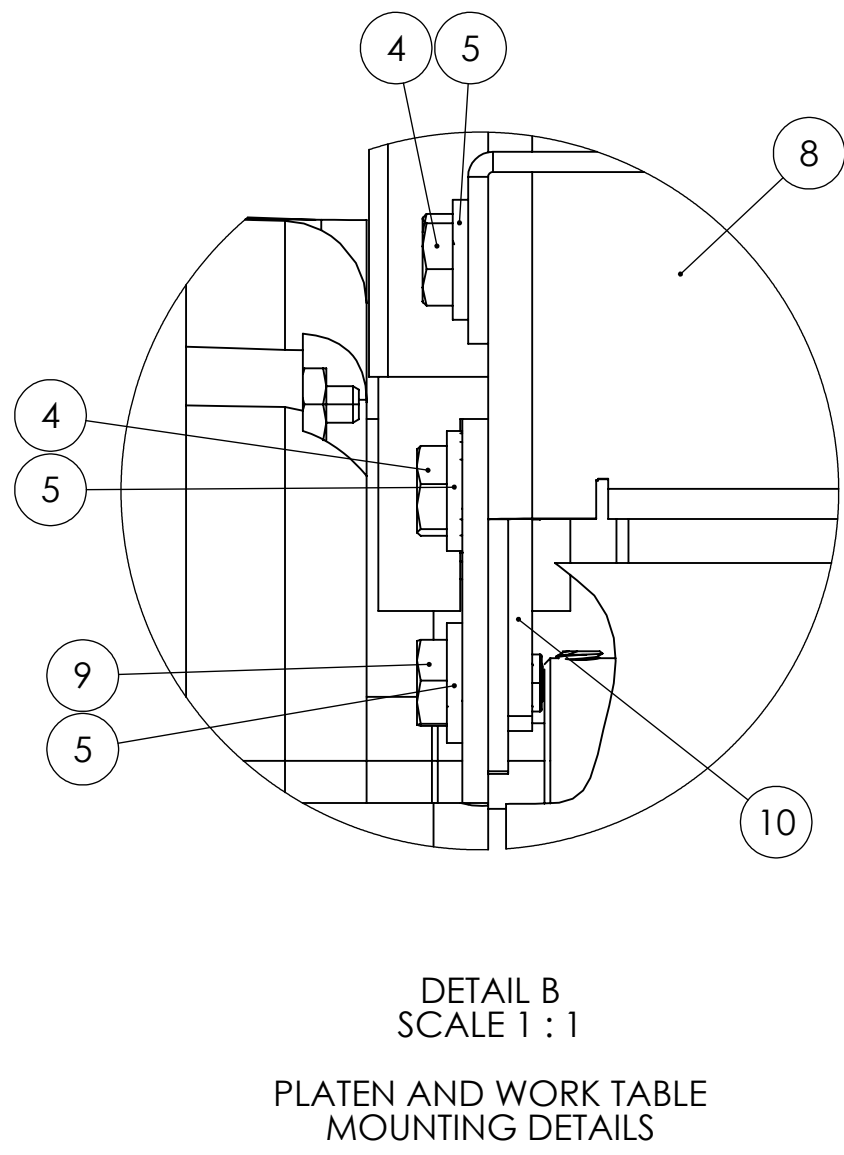
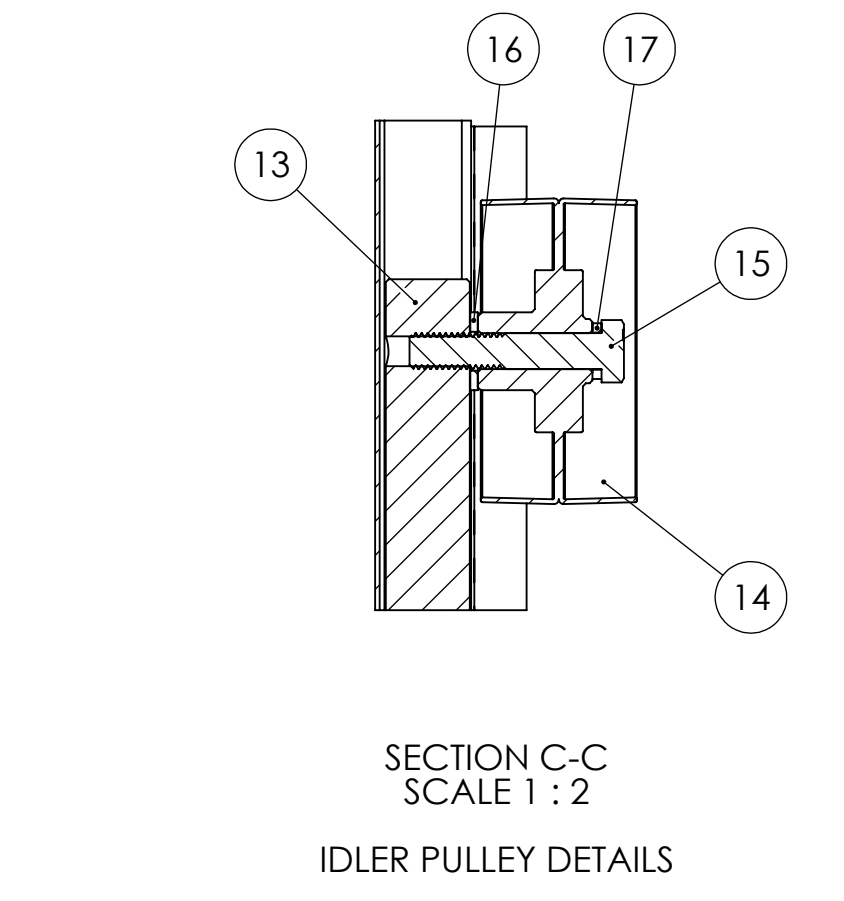
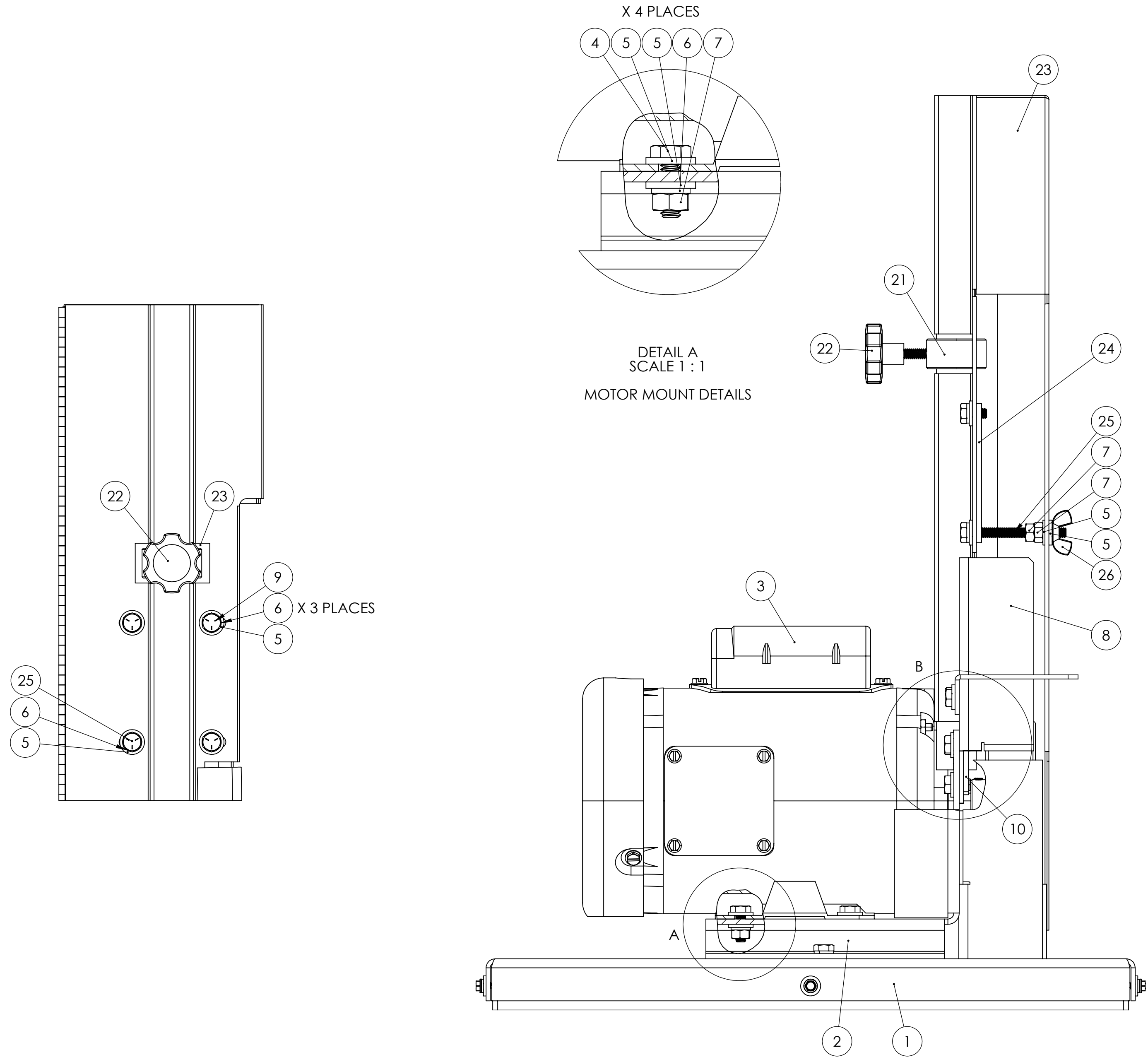
RETURN POLICY

Authorization must be obtained before returning merchandise. Please call our customer service department for a return authorization number (269) 382-2050. Please include with your return a copy of your invoice of packing slip. All material must be new and unused in the original packaging. Material must be sent back prepaid (unless otherwise indicated) by Kalamazoo Industries. Credit upon inspection at Kalamazoo Industries. All returns will be subject to a 10% restock charge. Used merchandise is non-returnable. No returns will be accepted after one year of invoice date.

BELT SANDER SAFETY

- READ THE OPERATING INSTRUCTIONS BEFORE RUNNING MACHINE.
- ALWAYS WEAR SAFETY GLASSES OR A FULL FACE SHIELD FOR PROTECTION.
- KEEP HANDS CLEAR OF THE SANDING AREA.
- NEAR WEAR GLOVES OR LOOSE FITTING CLOTHES WHEN OPERATING THIS MACHINE.
- ALWAYS KEEP HAIR TIED BACK OR COVERED.
- LET MACHINE ROTATION COME TO A FULL STOP BEFORE CHANGING BELT.
- KEEP SAFETY GUARDS IN PLACE. DO NOT ALTER GUARD OR MACHINE IN ANYWAY. ANY ALTERATIONS TO GUARDS OR MACHINE COULD CAUSE SERIOUS INJURY.
- ALL BELT SANDERS SHOULD BE OPERATED IN A WELL-VENTILATED AREA. THE DUST CREATED WHEN SOME MATERIALS ARE SANDED CAN BE HARMFUL. DUST MASKS ARE RECOMMEND AS A PRACTICAL MEAN OF MINIMIZING DUST INHALATION. FUMES FROM OTHER OTHER SOURCES CAN ALSO CAUSES FIRES WHEN INTACT WITH SANDING SPARK.
- SPARKS CREATED BY SANDING SHOULD BE DIRECTED DOWNWARD AND AWAY FROM THE FACE AND BODY. DON NOT GRIND NEAR FLAMMABLE MATERIAL.
- ELECTRIC SANDING MACHINES ARE NOT INTENDED FOR USE IN OR NEAR WATER. THIS INCLUDES AN OPERATOR STANDING ON A WET FLOOR OR WORKING AROUND CONTAINERS OF WATER OR OTHER CONDUCTIVE LIQUIDS.

ITEM NO.	PART NUMBER	DESCRIPTION	QTY.
1	DCV-4(1SMV)	DCV-4 DUST COLLECTOR FOR 1SMV APPLICATION	1
2	291-007	ISM FRAME ASSEMBLY	1
3	484-021	1/3HP MOTOR FOR 1SM	1
4	HHC5025012	1/4-20 X 3/4 HHCS GR5 Z	8
5	UFWZ025	1/4 USS F/W Z	17
6	SLWZ025	1/4 SPLIT L/W Z	10
7	FHN5025	1/4-20 FHN GR5 Z	6
8	563-003V	PLATEN, FOR 1SMV	1
9	HHC5025008	1/4-20 X 1/2 HHCS GR5 Z	4
10	BUCKTP2116	1/4-20 TAB SPOT WELD NUT DOUBLE ALLOY	1
11	829-013	ISM WORK TABLE	1
12	697-020	TENSION SPRING FOR ISM AND 1SK6 SANDERS	1
13	700-005	TENSION SHAFT FOR ISM, 1SK6 SANDERS	1
14	560-018	ISM IDLER PULLEY	1
15	HHC5037032	3/8-16 X 2 HHCS GR5 Z	1
16	UFWZ037	3/8 USS F/W Z	1
17	SLWZ037	3/8 SPLIT L/W Z	1
18	560-017	ISM DRIVE PULLEY	1
19	SSKA025006	1/4-20 X 3/8 SOC SET KNURL PT.	1
20	SSSA025024	1/4-20 X 1-1/2 SOC SET CUP PT.	1
21	123-015	TRACKING COLLAR FOR ISM, 1SK6, S1	1
22	441-015	907B-2500-1.00S 1/4 THUMBSCREW 1-1/2 DIA	1
23	342-061V	1 INCH GUARD, FULL BOXED OSHA VACUUM FOR ISMV SANDER	1
24	342-061A	CLAMPING BRACKET FOR 1 INCH OSHA FULL BOX GUARD	1
25	HHT5025040	1/4-20 X 2-1/2 HEX HEAD BOLT GR5 Z	1
26	WGNZ025	1/4-20 FORGED WING NUT Z	1



PLEASE REFER TO DCV-4 DRAWING FOR DETAILED INFORMATION REGARDING THE DCV-4 DUST COLLECTOR UNIT.

PROPRIETARY/CONFIDENTIAL
THIS INFORMATION CONTAINED IN THIS DRAWING IS THE SOLE PROPERTY OF KALAMAZOO. IT IS TO BE USED ONLY FOR THE SPECIFIC APPLICATION AND NOT BE REPRODUCED OR TRANSMITTED IN ANY FORM OR BY ANY MEANS, ELECTRONIC OR MECHANICAL, INCLUDING PHOTOCOPYING, RECORDING, OR BY ANY INFORMATION STORAGE AND RETRIEVAL SYSTEM, WITHOUT THE WRITTEN PERMISSION OF KALAMAZOO.

UNLESS OTHERWISE SPECIFIED:	NAME	DATE
DIMENSIONS ARE IN INCHES	DRAWN	
TOLERANCES:	CHECKED	
FRACTIONS: 1/16	ENG APPR	
ANGULAR: MACH 1	WFG APPR	
PROFILES: DECIMAL 1	D.A.	
THREE PLACE DECIMAL 2	COMMENTS:	
INTERFERENCE GEOMETRIC TOLERANCES PER ASME Y14.5		
FINISH		
NEATNESS		
APPLICATION		
DO NOT SCALE DRAWING		

TITLE: ISM SANDER MOUNTED ON DCV-4 DUST COLLECTOR

SIZE: DWG. NO. E 1SMV

SCALE: 1:1 WEIGHT: SHEET 1 OF 1

8

7

6

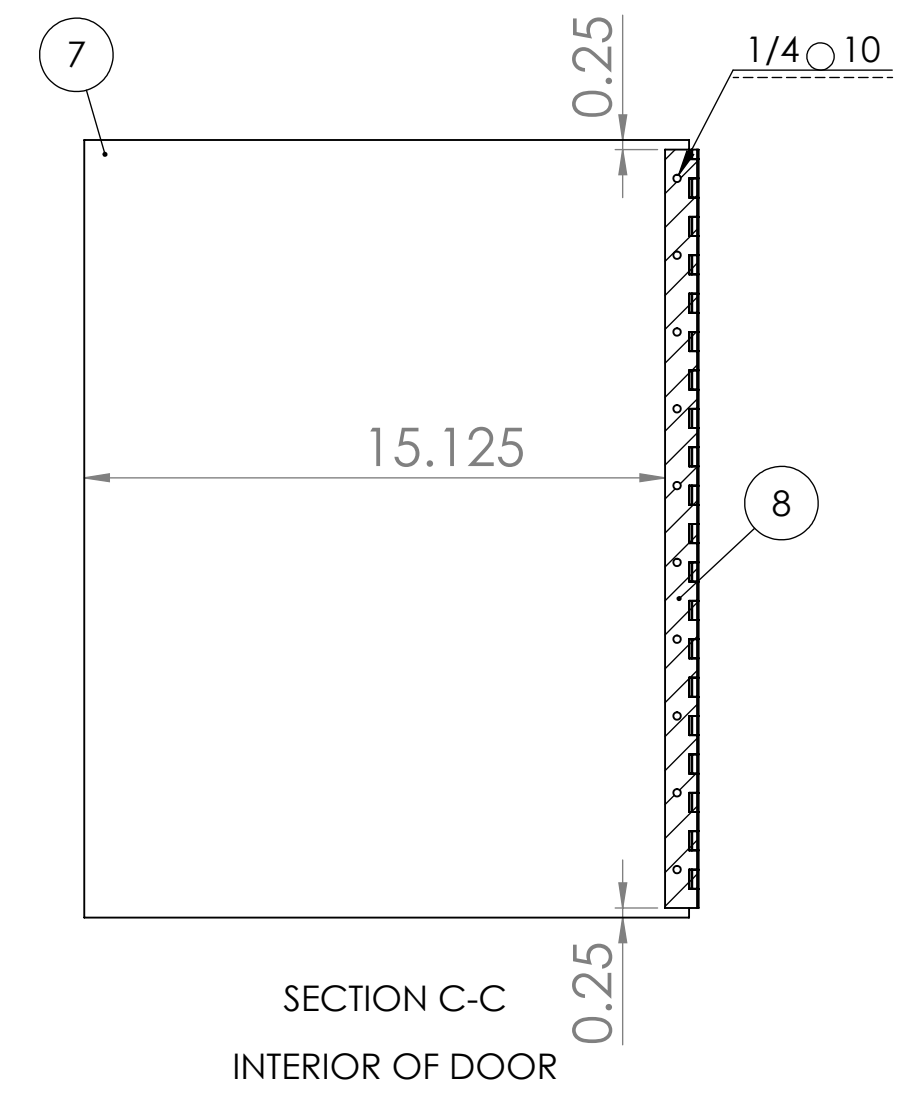
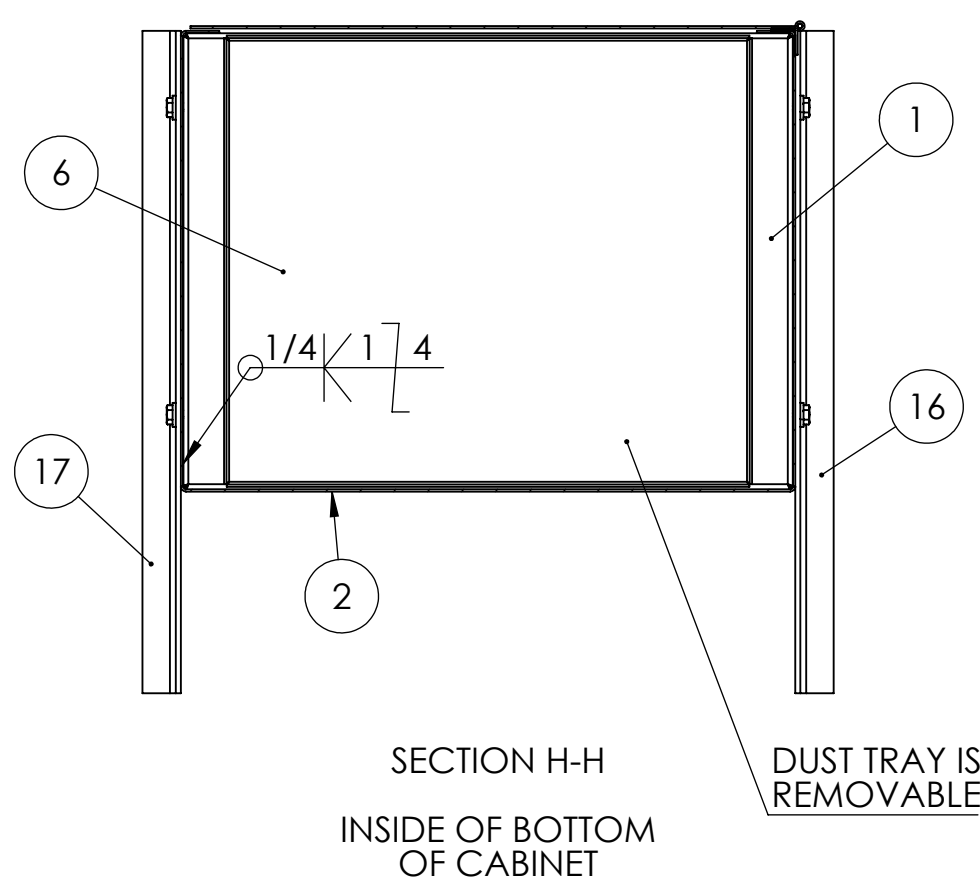
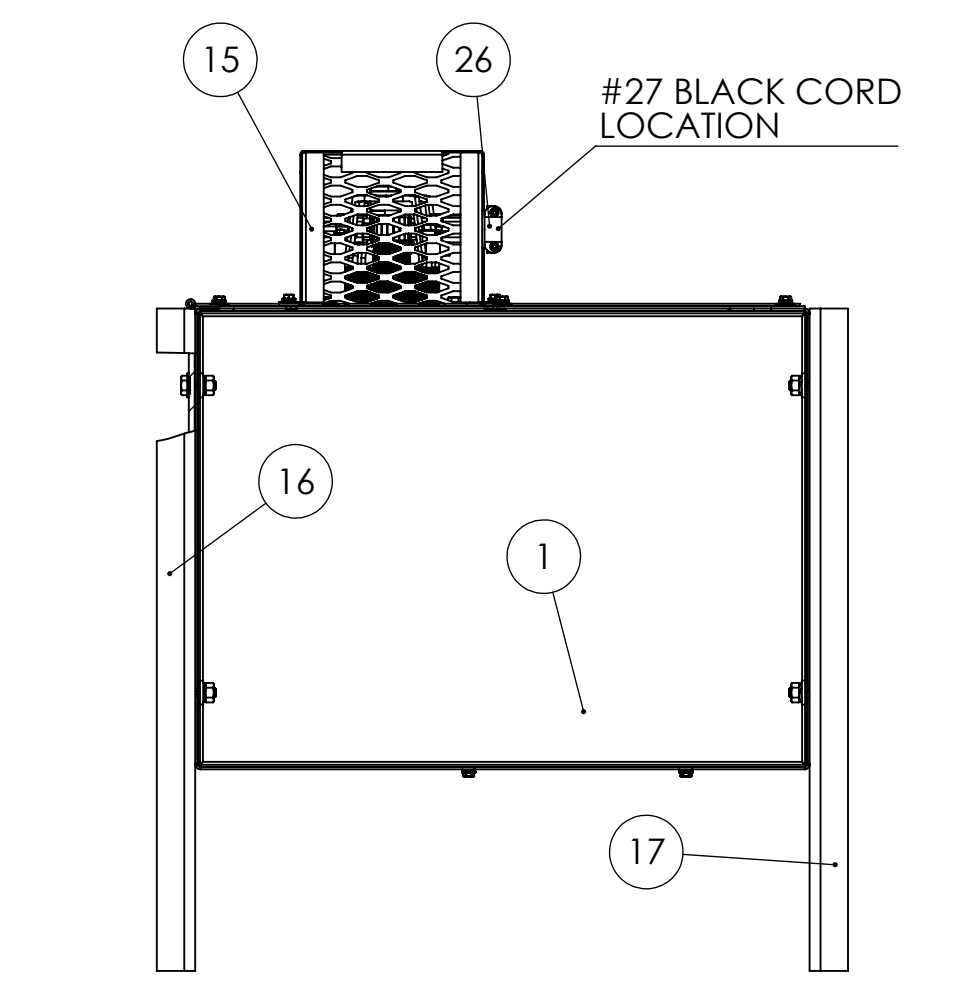
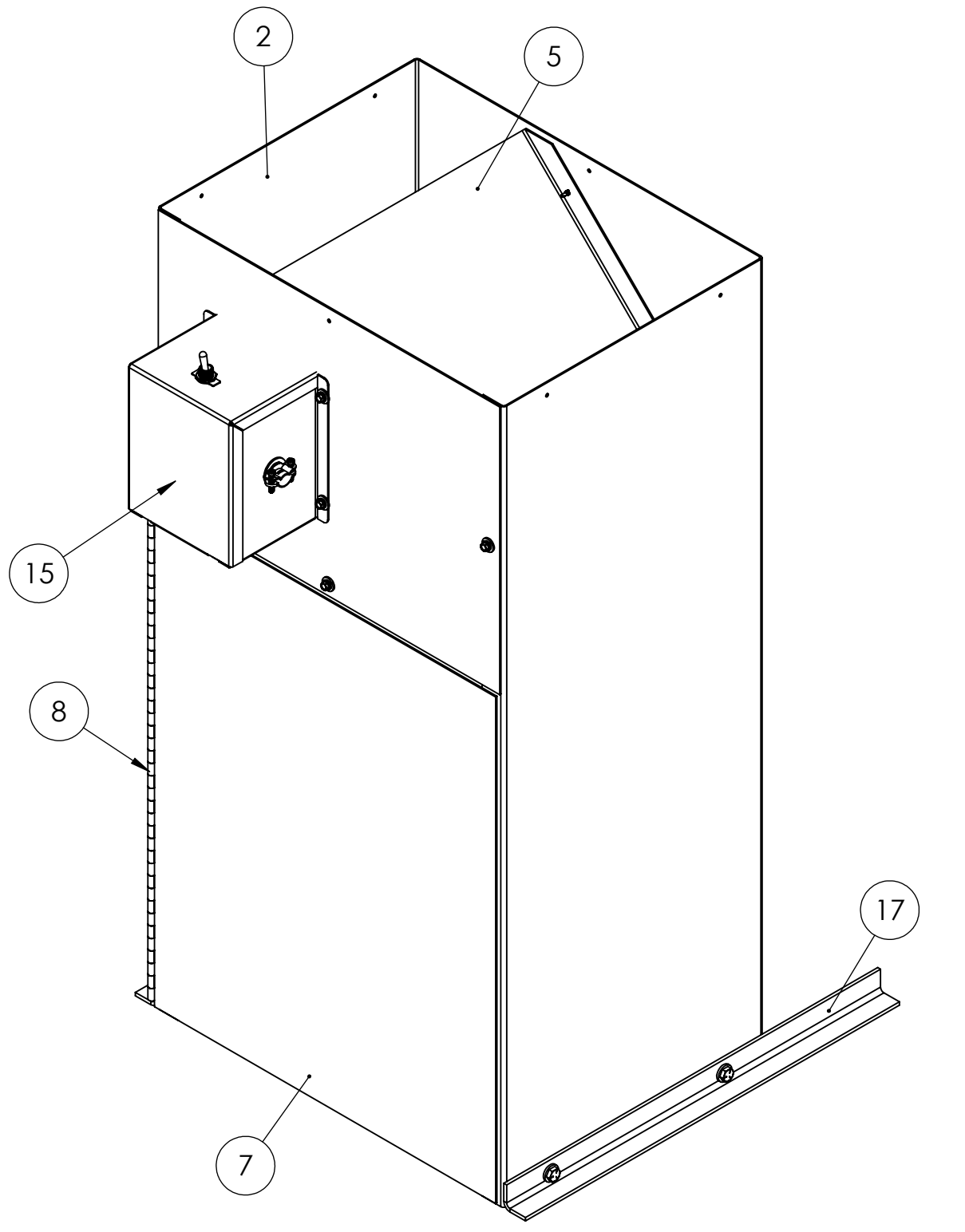
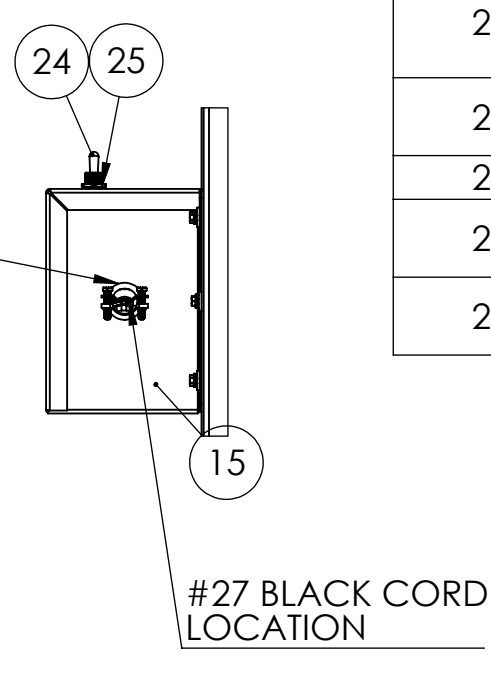
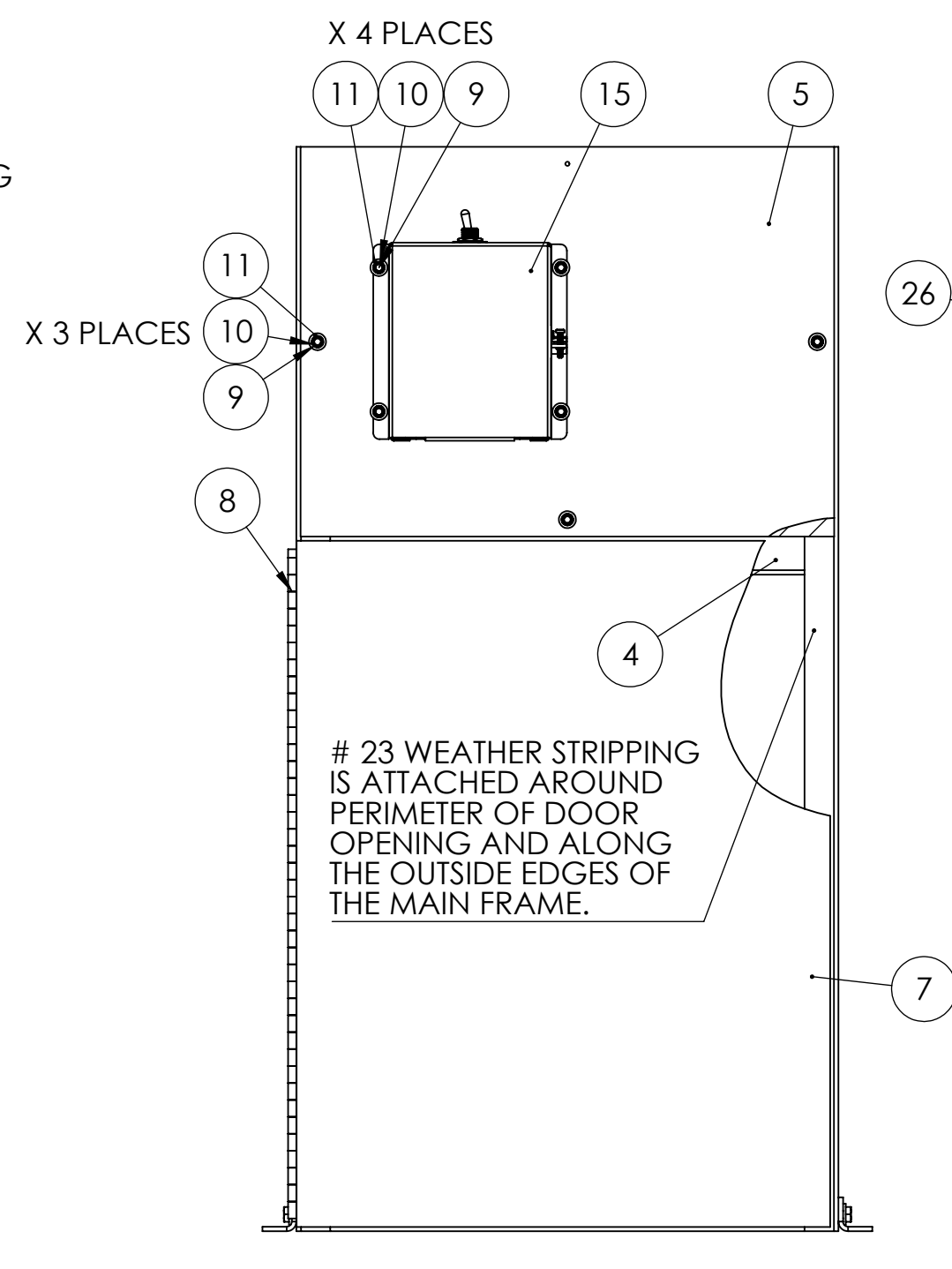
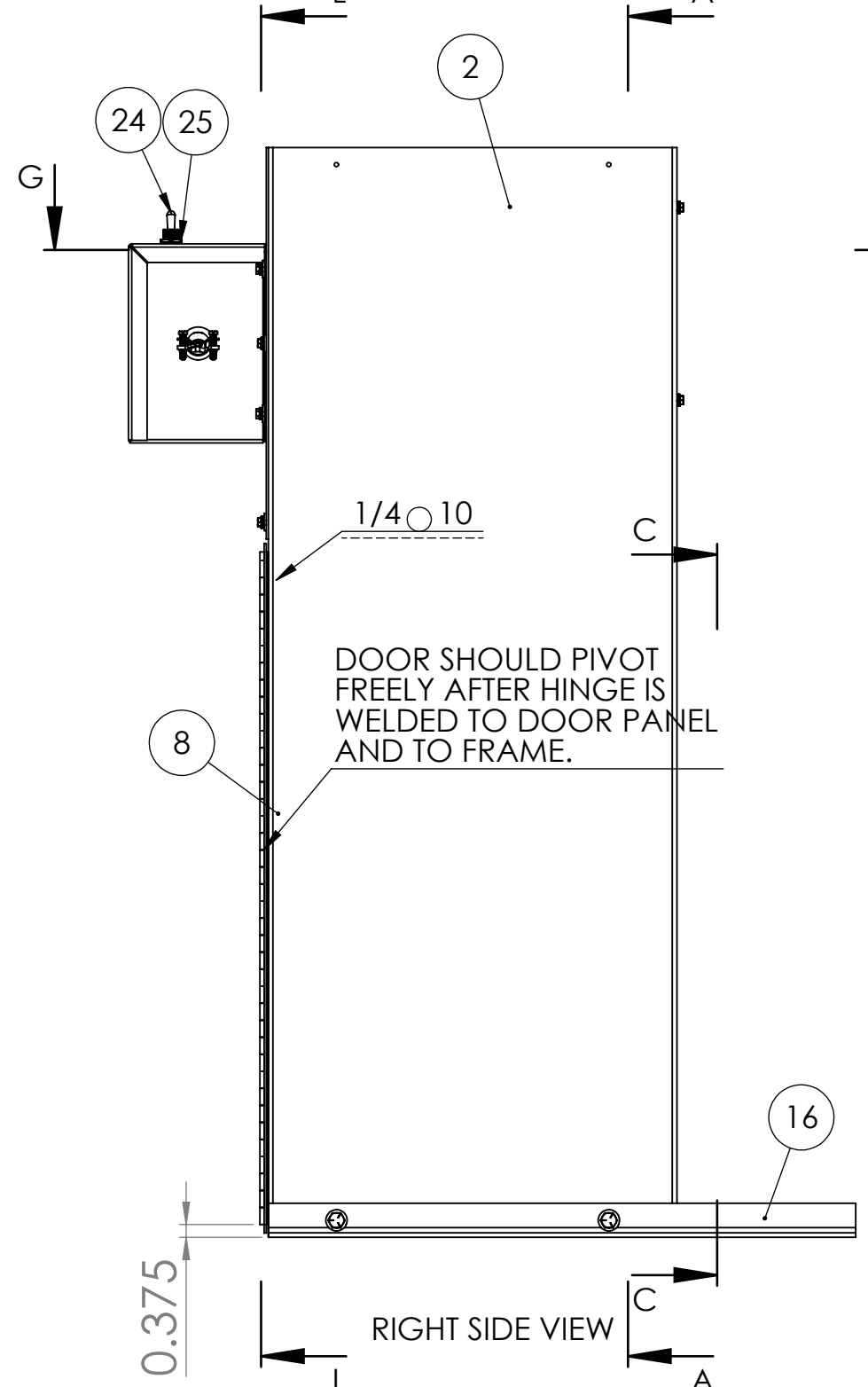
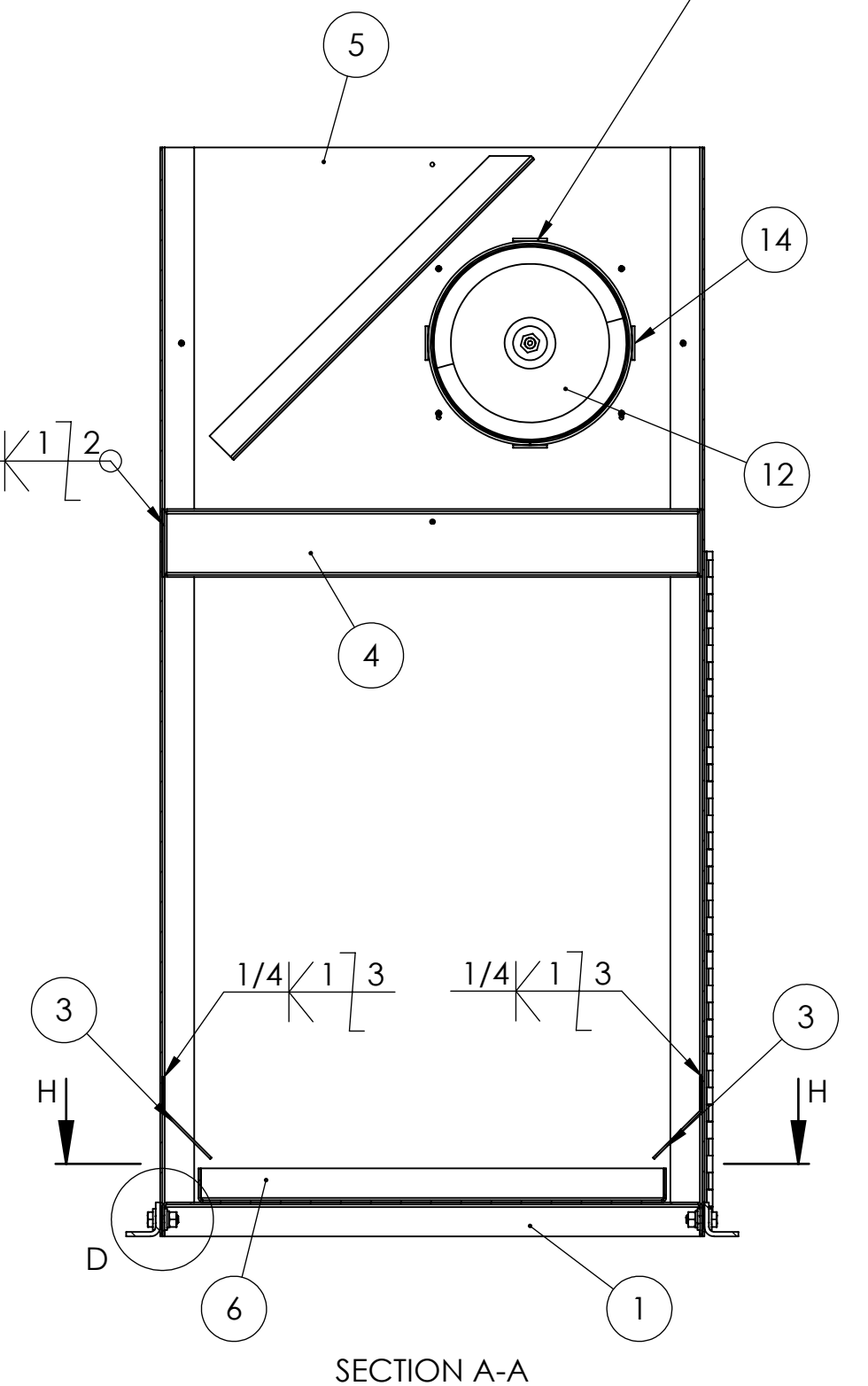
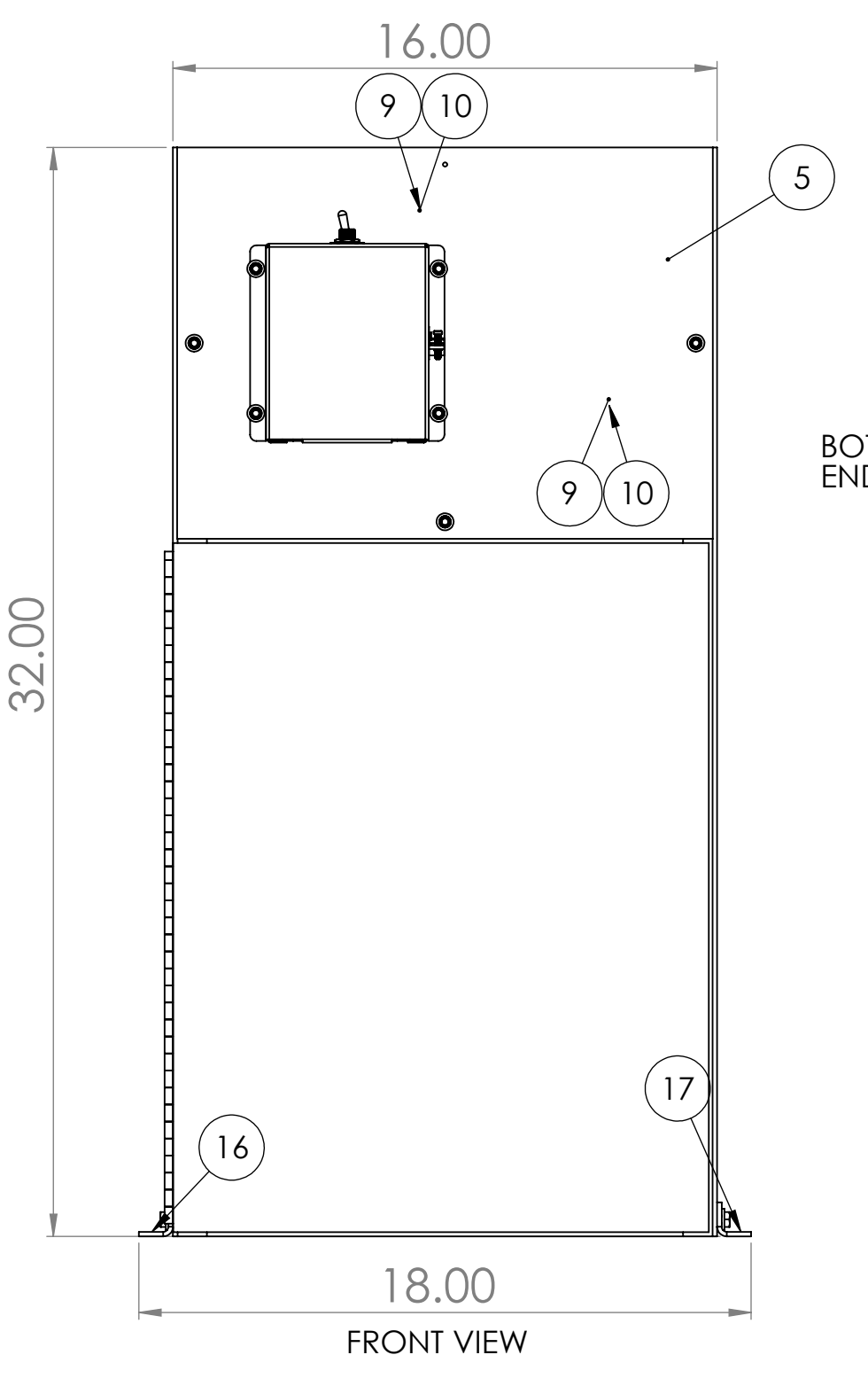
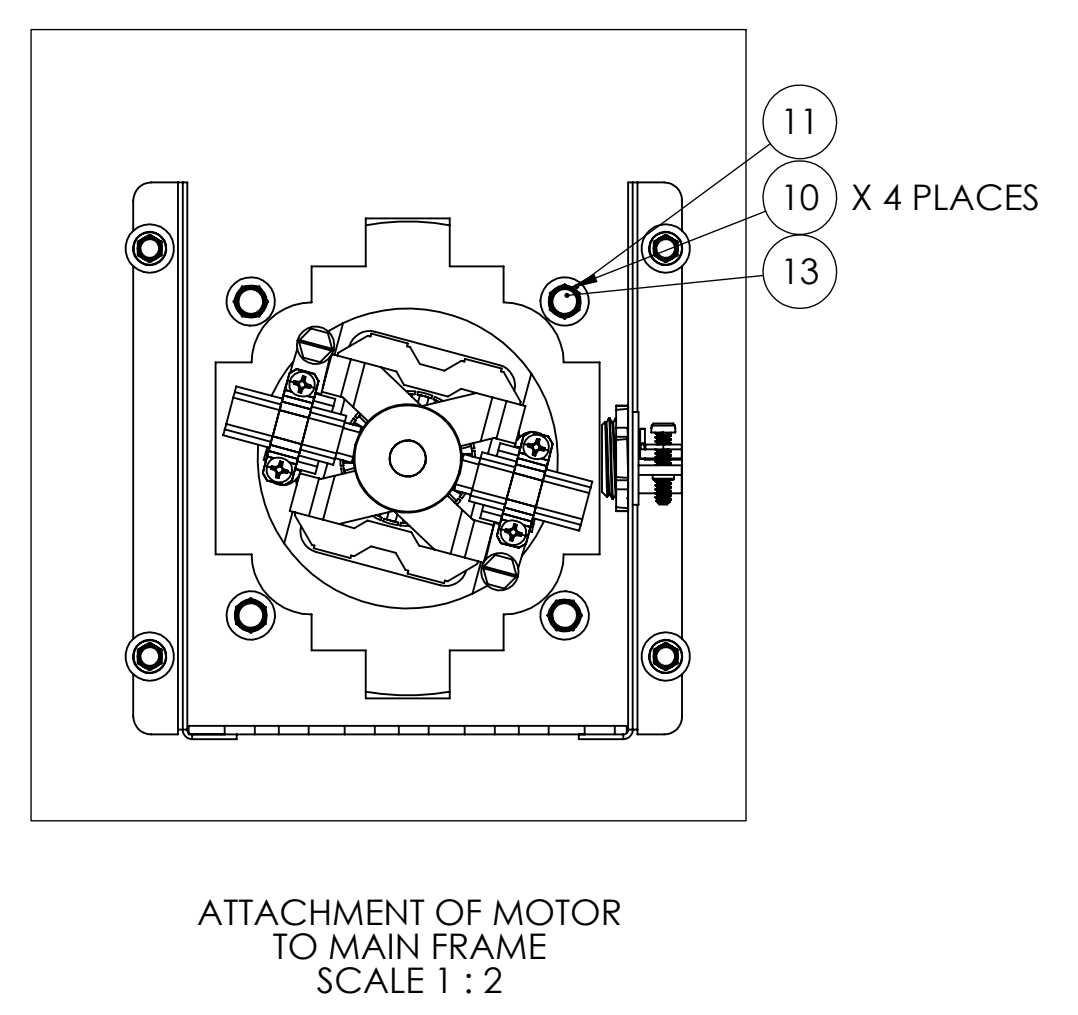
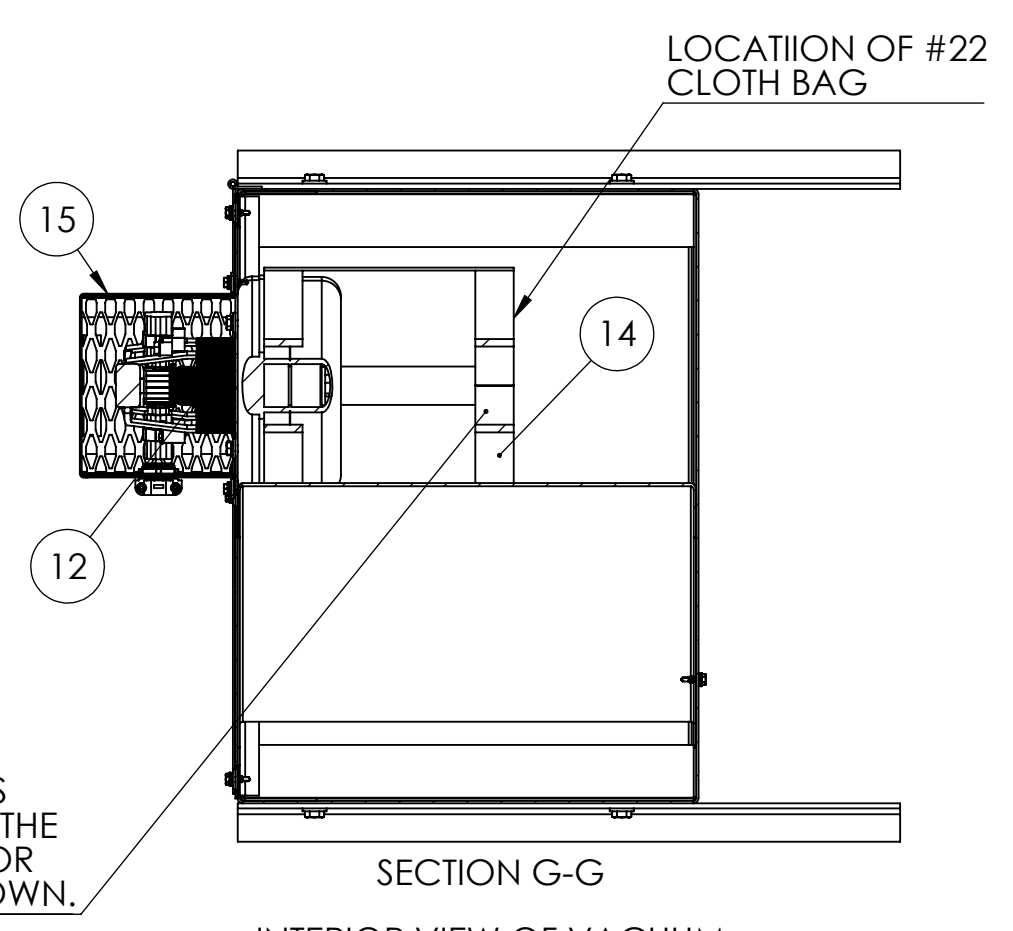
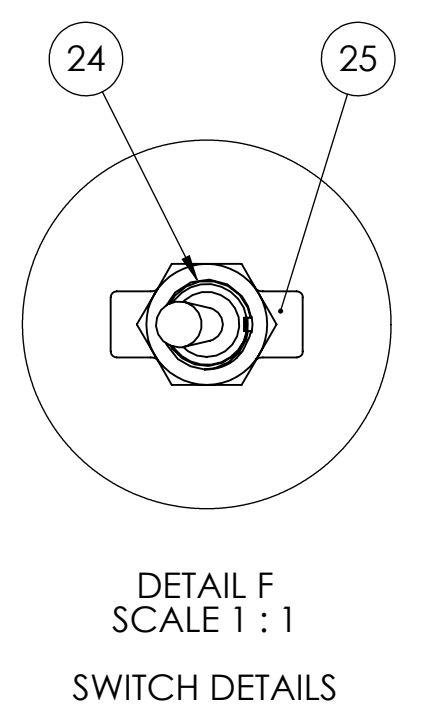
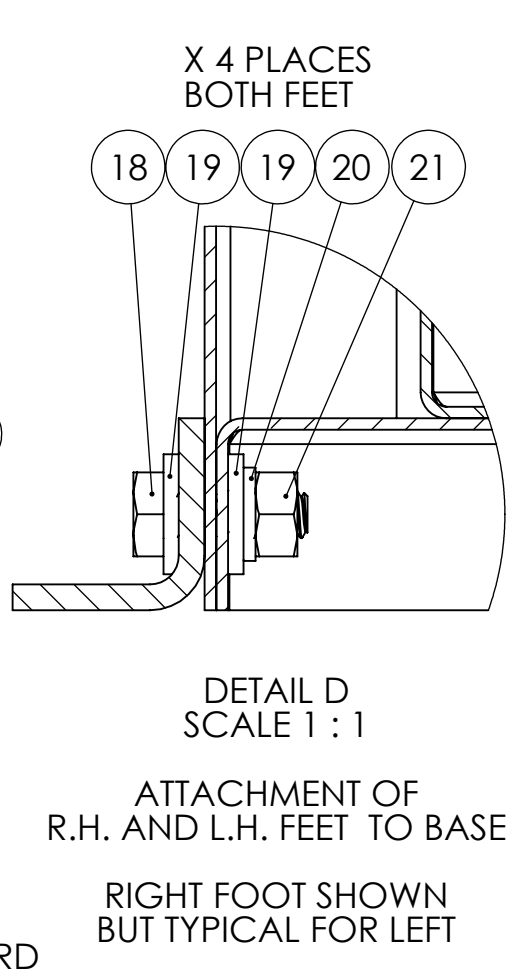
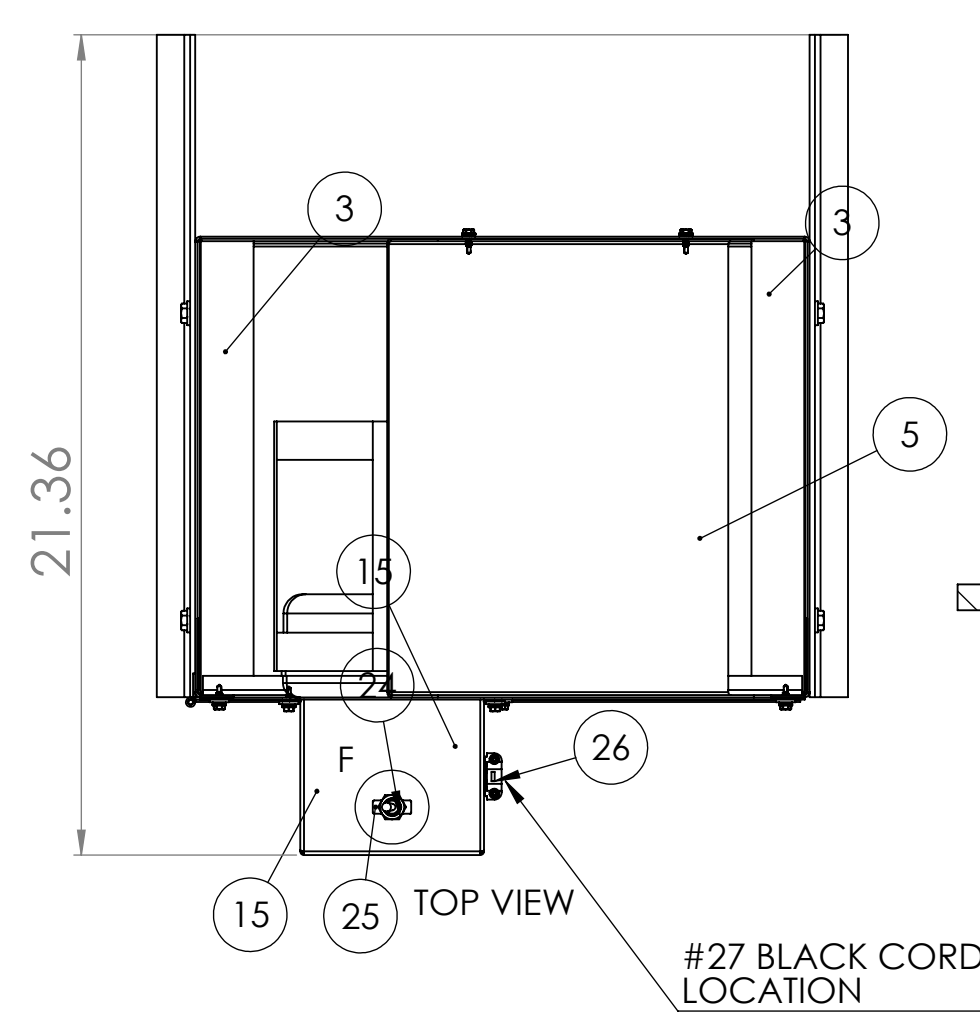
5

4

3

2

1



ITEM NO.	PART NUMBER	DESCRIPTION	QTY.
1	124-001 FLOORPAN	FLOOR PAN FOR DCV-4 CABINET	1
2	124-001 MAIN	MAIN PANEL FOR DCV-4 CABINET	1
3	124-001 CHUTE	DUST CHUTE FOR DCV-4 CABINET	2
4	124-001 CROSSBRACE	CROSS BRACE FOR DCV-4 CABINET	1
5	540-002	PANEL, MOTOR MOUNTING FOR DCV-4	1
6	124-001 TRAY	DUST TRAY FOR DCV-4 CABINET	1
7	162-001	DOOR FOR DCV-4	1
8	162-001 HINGE	HINGE FOR DCV-4 DOOR	1
9	HWZ008008	#8 X 1/2 HWH TEKS Z	9
10	SLWZ010	#10 SPLIT L/W Z	13
11	MSWZ010	#10 M.S. F/W Z	11
12	486-005	VACUUM MOTOR FOR DCV-4	1
13	HHMZ010008	10-24 X 1/2 HHMS Z	4
14	120-001	CANISTER FOR KS390V, KS490V, DCV-4, DS12V	1
15	122-001	SWITCH COVER FOR DCV-4 AND DCV-10	1
16	294-001-R.H.	R.H. FOOT FOR DCV-4 CABINET	1
17	294-001-L.H.	L.H. FOOT FOR DCV-4 CABINET	1
18	HHC5025012	1/4-20 X 3/4 HHCS GR5 Z	4
19	UFWZ025	1/4 USS F/W Z	8
20	SLWZ025	1/4 SPLIT L/W Z	4
21	FHN5025	1/4-20 FHN GR5 Z	4
22	5X878	CLOTH BAG FOR DCV-4 DUST COLLECTOR	1
23	933-001 X 94 INCHES	94 INCHES OF WEATHER STRIPPING AROUND BACK OF DCV-4 CABINET	1
24	710-007	ON/OFF TOGGLE SWITCH 1185-Q/20B	1
25	710-008	ON/OFF SWITCH PLATE	1
26	EGSC500	EGSC500 1/2 D/C ESCR NMC CONN	1
27	157-001	ELECTRIC CORD FOR SMALL SANDERS	1

BASIC CABINET IS USED FOR DCV-4/S4SV AND FOR DCV-4/DS10 APPLICATIONS.

PROPRIETARY AND CONFIDENTIAL
THE INFORMATION CONTAINED IN THIS DRAWING IS THE SOLE PROPERTY OF KALAMAZOO INDUSTRIES, INC. ANY REPRODUCTION IN PART OR AS A WHOLE WITHOUT THE WRITTEN PERMISSION OF KALAMAZOO INDUSTRIES, INC. IS PROHIBITED.

UNLESS OTHERWISE SPECIFIED: DIMENSIONS ARE IN INCHES TOLERANCES: FRACTIONAL ± ANGULAR ± MAJOR ± BEND ± TWO PLACE DECIMAL ± THREE PLACE DECIMAL ±	DRAWN CHECKED ENG APPR. MEG APPR.	NAME DATE	
INTERPRET GEOMETRIC TOLERANCING PER: MATERIAL FINISH	COMMENTS:	TITLE: CABINET, VACUUM FOR DCV-4	
NEXT ASSY USED ON APPLICATION	DO NOT SCALE DRAWING	SCALE: 1:5 WEIGHT:	REV D 124-001 SHEET 1 OF 1

8

7

6

5

4

3

2

1